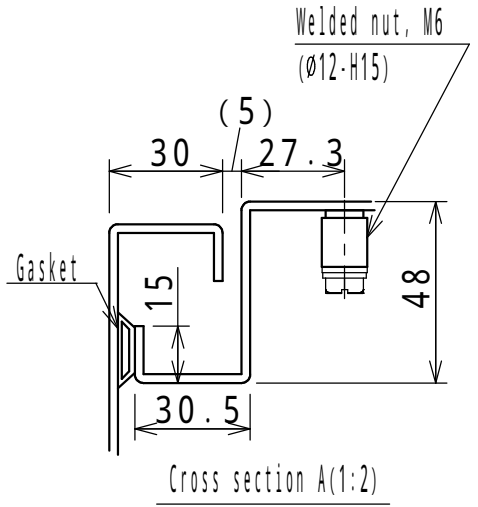


There is a bend (vertical direction) in center of rear side as shown in above drawing, so be careful when installing equipment.
Cross section F-F



NOTE

1. The drawing holder is attached with screws.
Storage dimensions: W235 x H250 x thickness 38

Enclosure specification		Model	E 25 - 1216A						
Type	Indoor use, Floor standing, E25-1216A	Drawing	1/3						
Body	Steel t 2.3								
Door	Steel t 2.3								
Mounting plate	Steel t 2.3	Scale	1:20	Design	INOUE	Draw	NGUYEN	Check	SUZUKI
Color	Standard / Light beige (5Y7/1)								
IP	IP4X	Date:	25 / Mar. / 2021						
Weight	155.0 kg								



H ≤ 900mm



1000mm ≤ H ≤ 1900mm



2000mm ≤ H



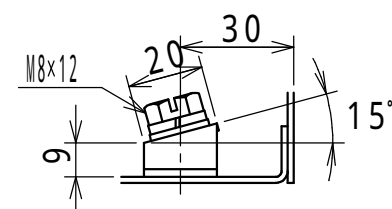
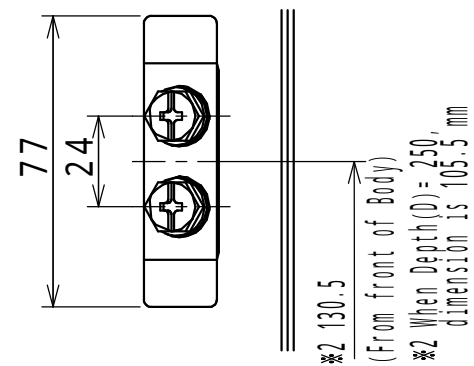
E25-1619A
E35-1616A, 1618A, 1619A, 1620A, 1621A
E40-1616A, 1618A, 1619A, 1620A, 1621A
E50-1616A, 1618A, 1619A, 1620A, 1621A, 1623A

Detail C: Mounting plate installation(1:2)



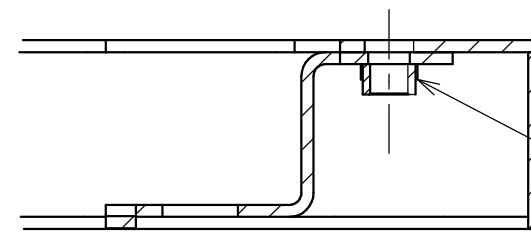
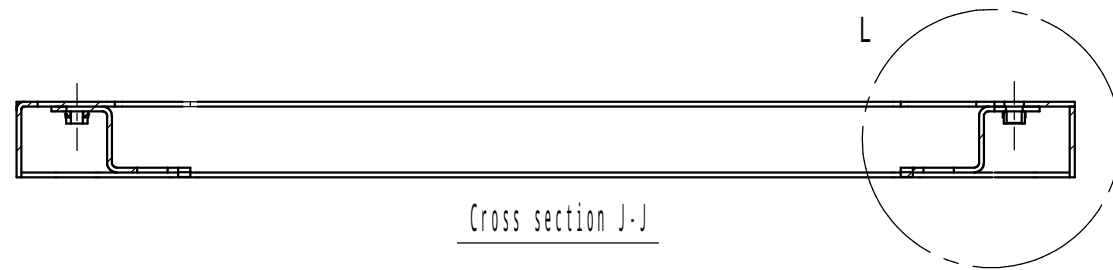
Cross section B-B

* The holes are for W ≥ 1400mm only.
W: Product Width
H: Product Height
D: Product Depth



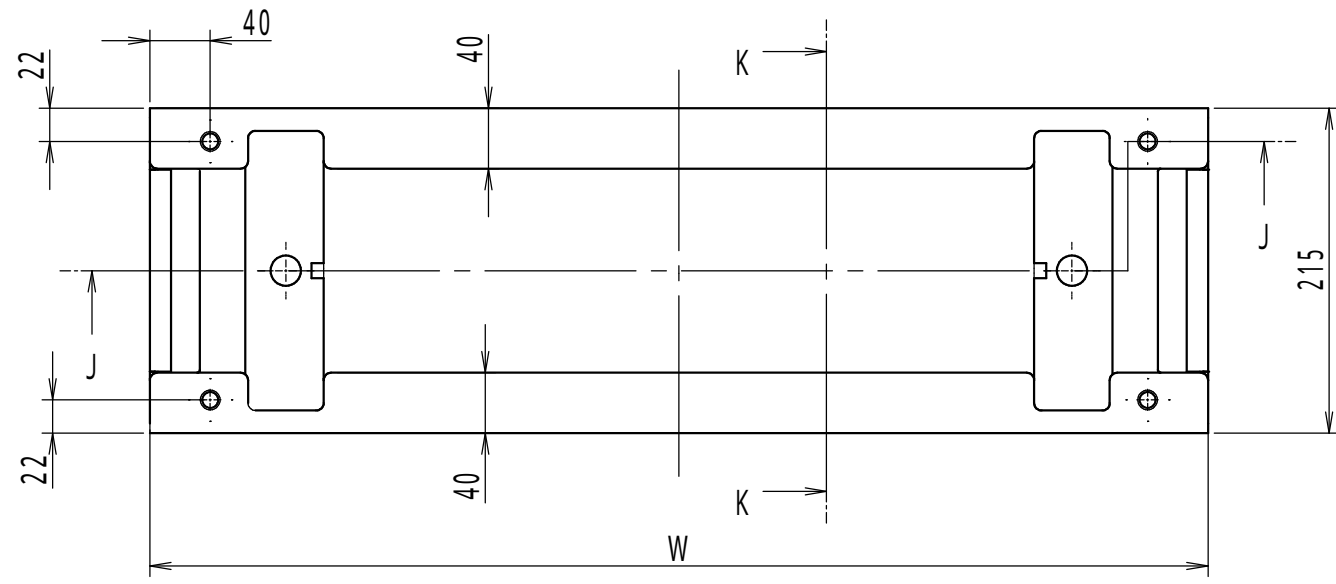
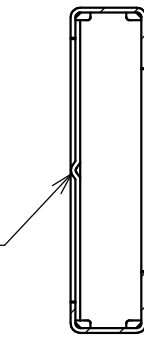
Detail E: Earth terminal(1:2)

Model	Detail view E				
Revision					2/3
Scale	Design	ITOU	Draw	NGUYEN	Check SUZUKI
Date: 25 / Mar. / 2021					

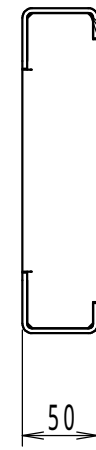


4-M10
(body and base mounting screw)

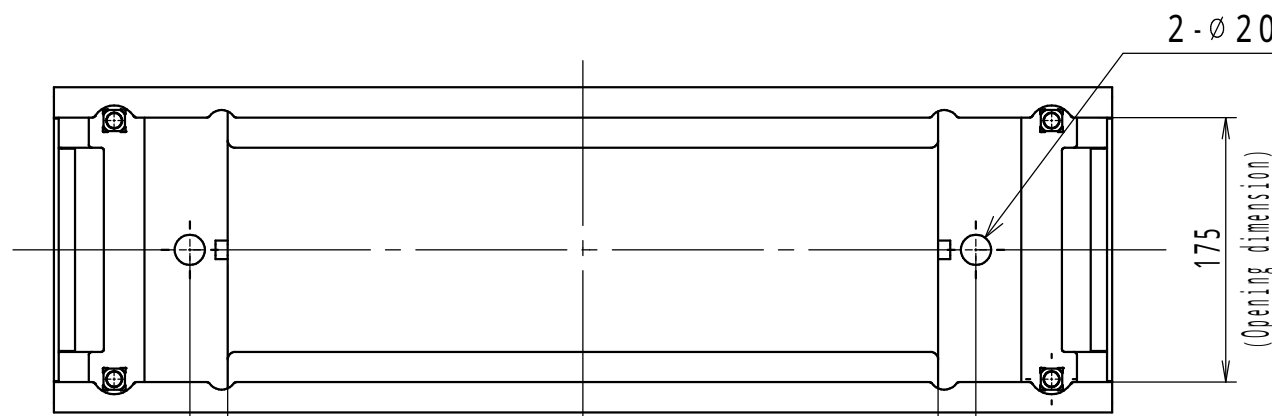
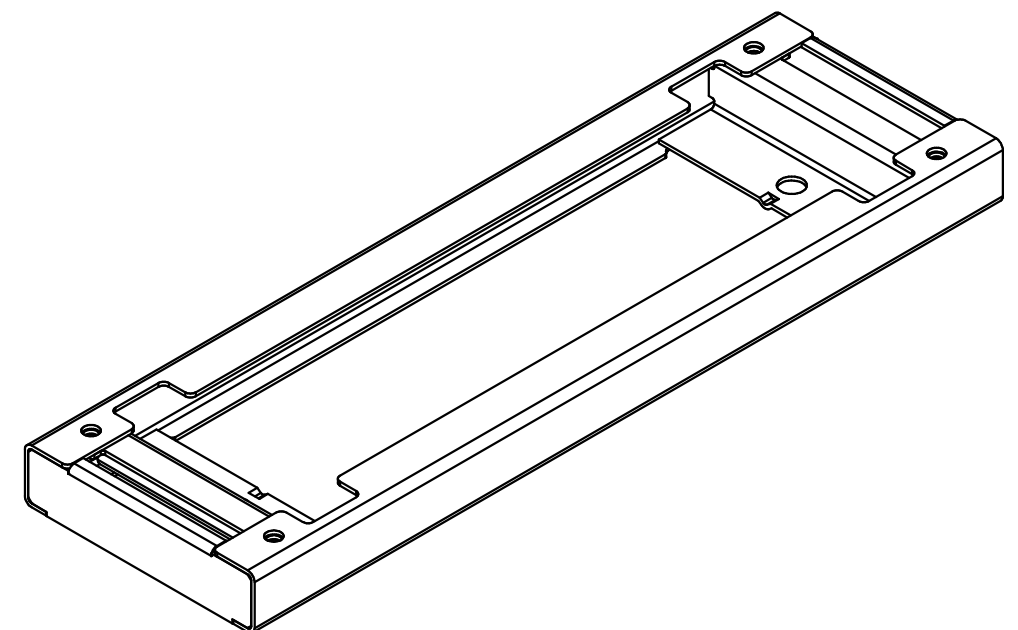
The protruding part is
contact surface with ground.



Base and body mounting surface



There are cuts for drain opening
at 4 corners on left and right.



Bottom

NOTE

- 1.W is width dimension of the product.
- 2.Take measures against falling down, in addition to anchor bolts.

Enclosure specification		Model	E Base (1)			
Type	-	Material	Steel t3.2			
Base	Steel t3.2	Color	Standard / Light beige (5Y7/1)			
Color	Standard / Light beige (5Y7/1)	Scale	A3 scale		Design	YAMAZAWA
-	-	Draw	NGUYEN	Check	SUZUKI	3/3
-	-	Date:	25 / Mar. / 2021			