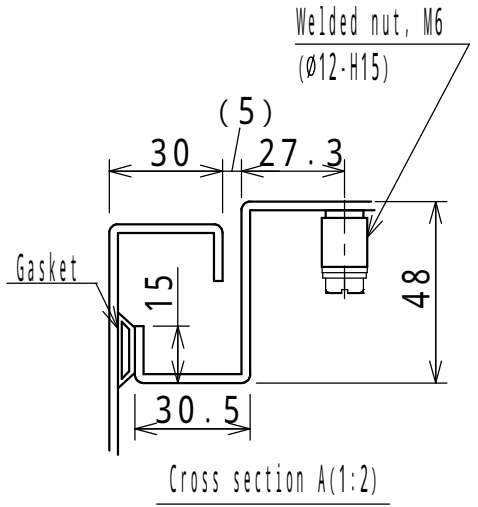


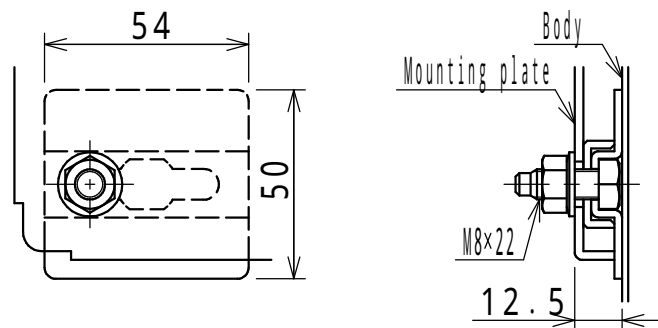
There is a bend (vertical direction) in center of rear side as shown in above drawing, so be careful when installing equipment.
 Cross section F-F



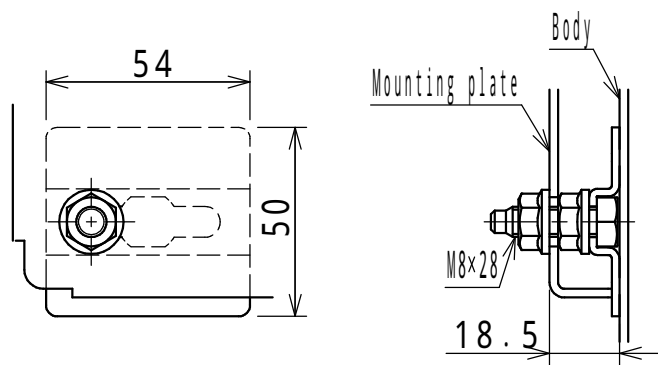
NOTE

1. The drawing holder is attached with screws.
 Storage dimensions: W235 x H250 x thickness 38

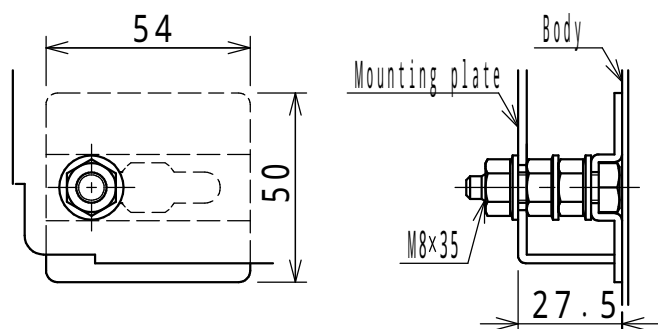
Enclosure specification		Model	E 25 - 1419A						
Type	Indoor use, Floor standing, E25-1419A	Drawing	1/3						
Body	Steel t 2.3								
Door	Steel t 2.3								
Mounting plate	Steel t 2.3	Scale	1:20	Design	INOUE	Draw	NGUYEN	Check	SUZUKI
Color	Standard / Light beige (5Y7/1)								
IP	IP4X								
Weight	204.0 kg	Date:		25 / Mar. / 2021					



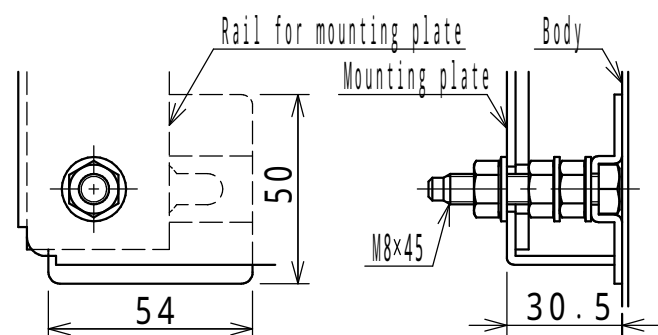
H ≤ 900mm



1000mm ≤ H ≤ 1900mm

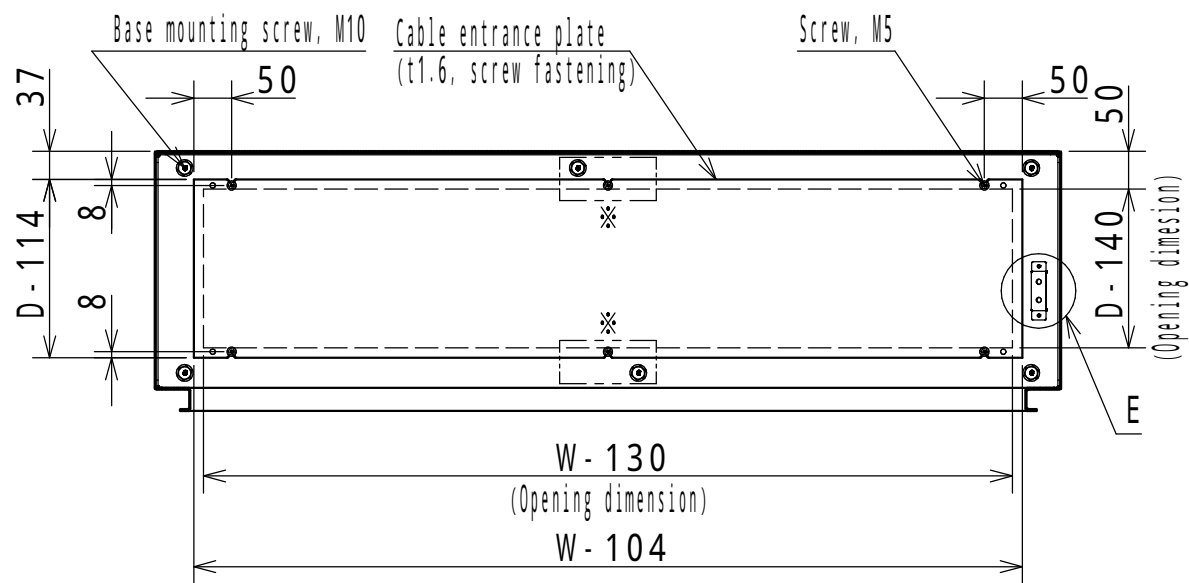


2000mm ≤ H



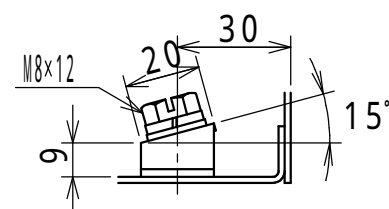
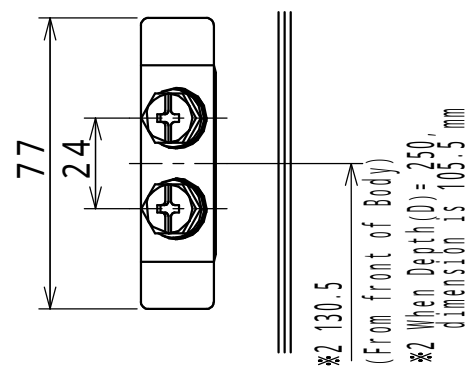
E25-1619A
E35-1616A, 1618A, 1619A, 1620A, 1621A
E40-1616A, 1618A, 1619A, 1620A, 1621A
E50-1616A, 1618A, 1619A, 1620A, 1621A, 1623A

Detail C: Mounting plate installation(1:2)



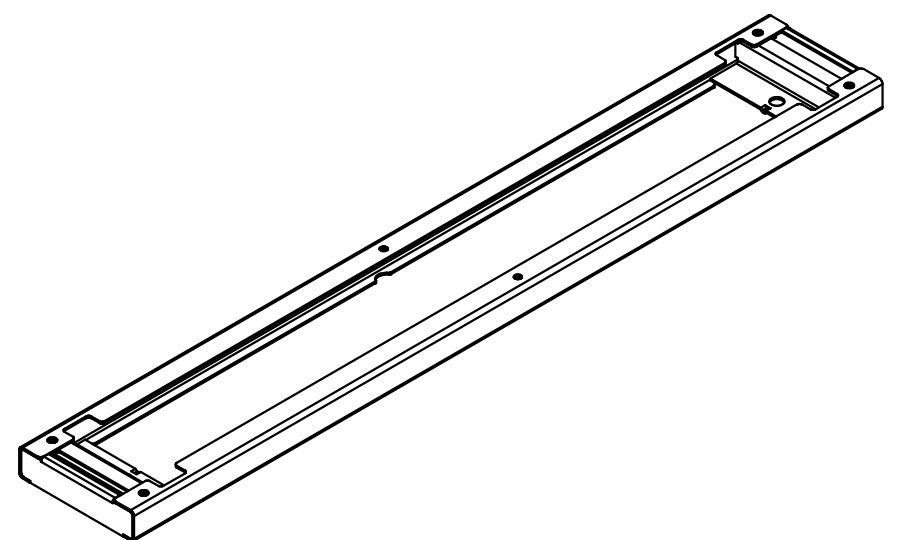
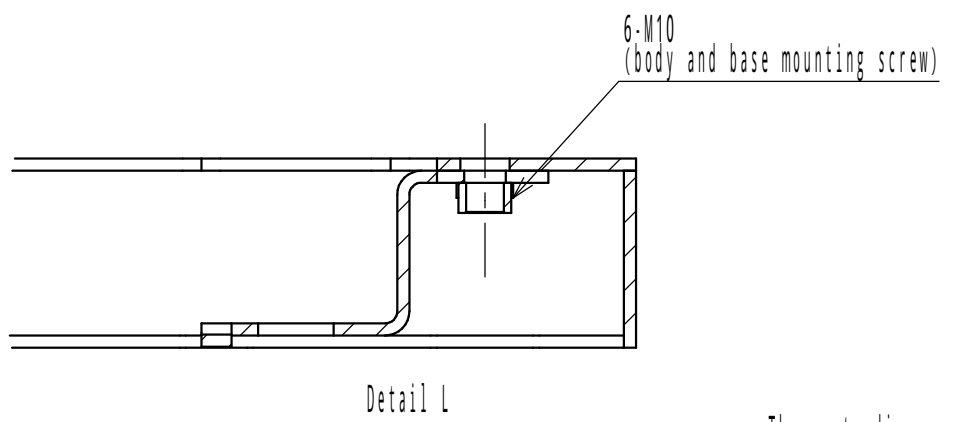
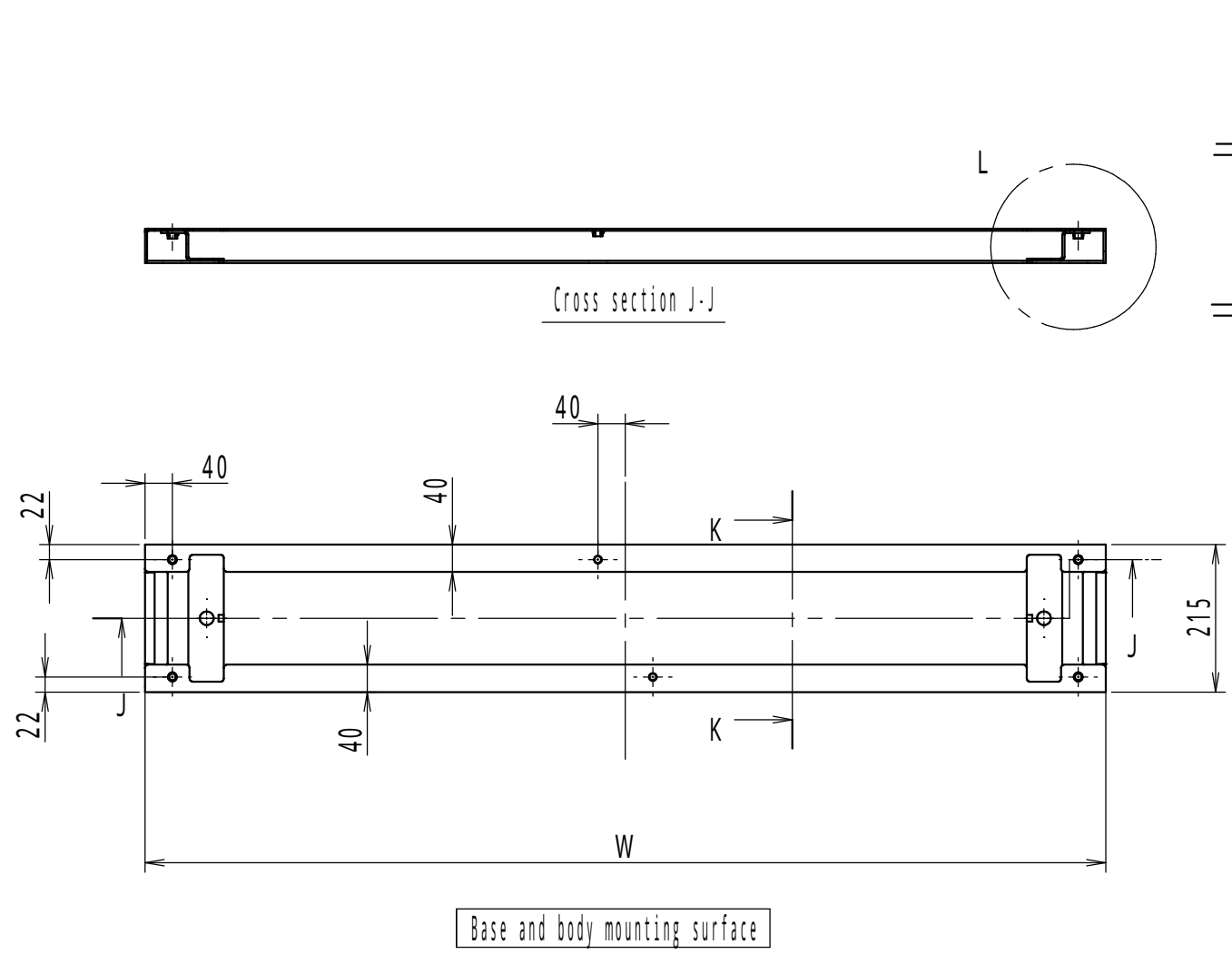
Cross section B-B

* The holes are for W ≥ 1400mm only.
W: Product Width
H: Product Height
D: Product Depth



Detail E: Earth terminal(1:2)

Model	Detail view E				
Revision					2/3
Scale	Design	ITOU	Draw	NGUYEN	Check SUZUKI
Date: 25 / Mar. / 2021					



NOTE
 1.W is width dimension of the product.
 2.Take measures against falling down, in addition to anchor bolts.

Enclosure specification		Model	E Base (3)			
Type	-	Material	Steel t3.2			
Base	Steel t3.2	Color	Standard / Light beige (5Y7/1)			
Color	Standard / Light beige (5Y7/1)	Scale	A3 scale		Design	YAMAZAWA
-	-	Draw	NGUYEN	Check	SUZUKI	3/3
-	-	Date:	25 / Mar. / 2021			