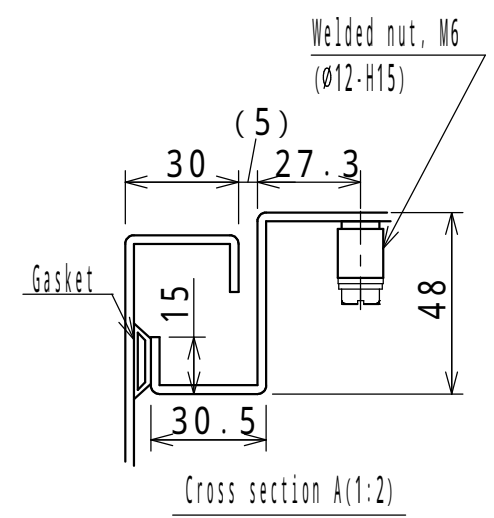


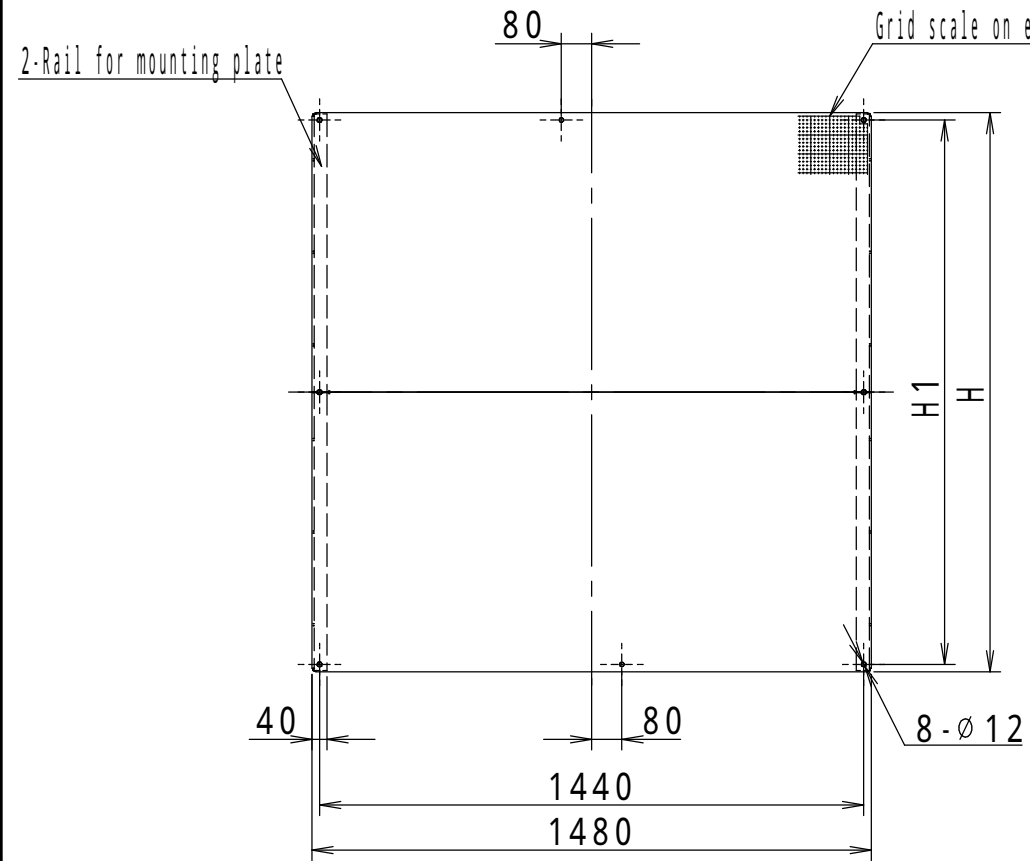
There is a bend (vertical direction) in center of rear side as shown in above drawing, so be careful when installing equipment.
Cross section F-F



NOTE

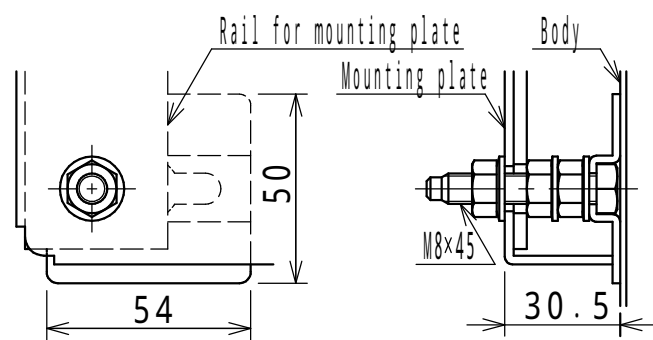
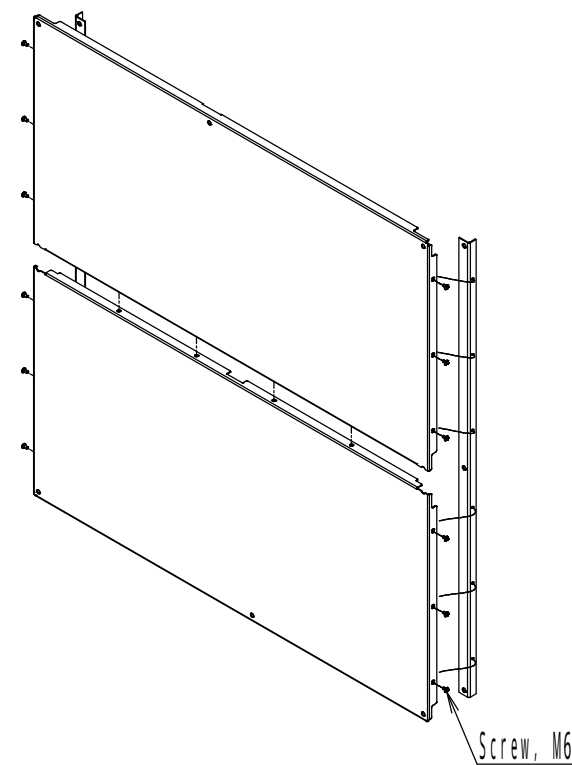
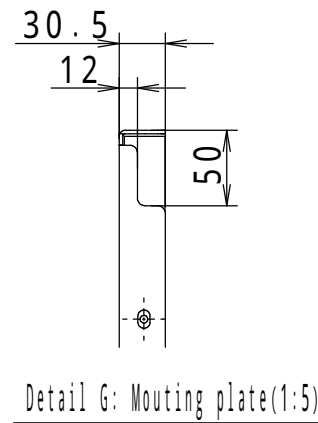
1. The drawing holder is attached with screws.
Storage dimensions: W235 x H250 x thickness 38

Enclosure specification		Model	E 25 - 1619A						
Type	Indoor use, Floor standing, E25-1619A	Drawing	1/3						
Body	Steel t 2.3								
Door	Steel t 2.3								
Mounting plate	Steel t 2.3	Scale	1:20	Design	INOUE	Draw	NGUYEN	Check	SUZUKI
Color	Standard / Light beige (5Y7/1)								
IP	IP4X								
Weight	236.0 kg	Date:		25 / Mar. / 2021					

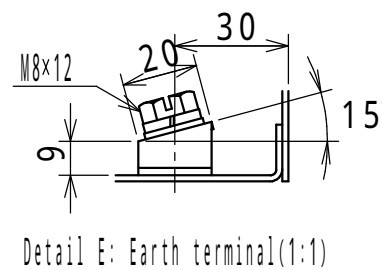
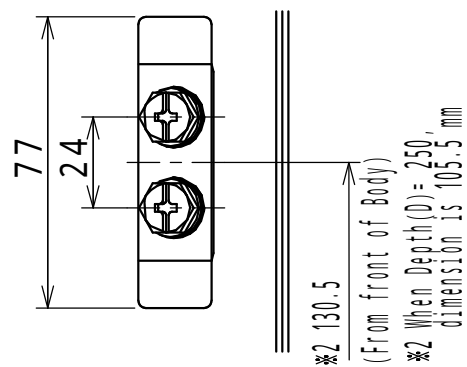


Mounting plate (Divided into top and bottom parts)

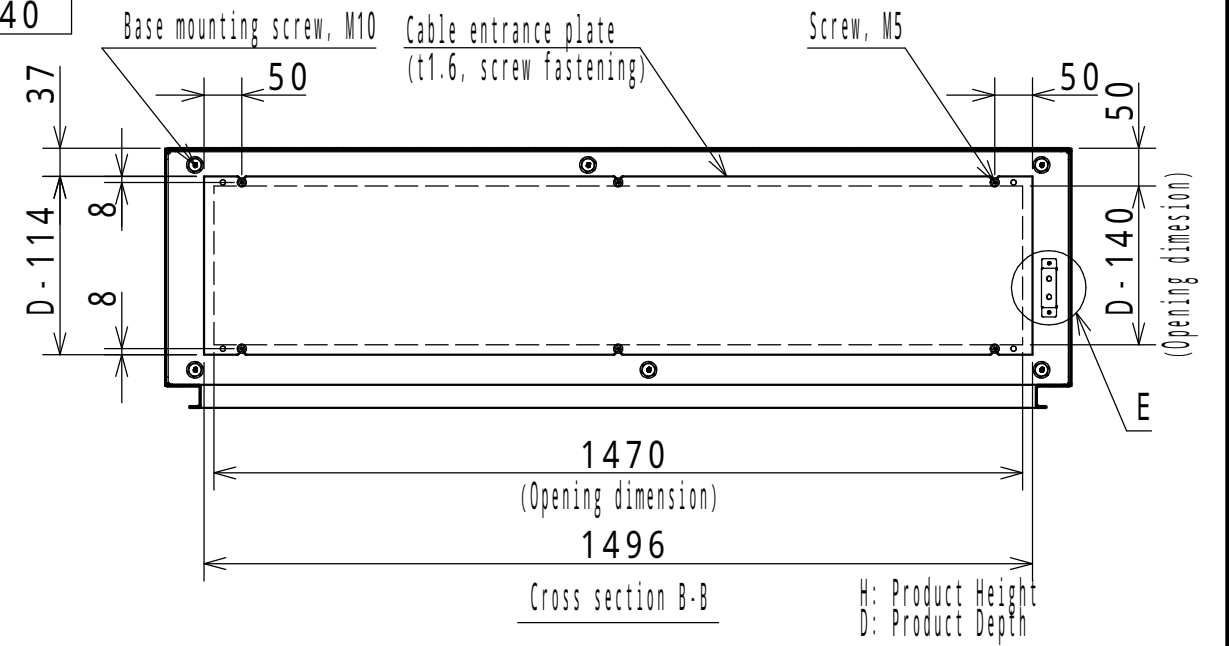
Product name	H	H1
E** - 1616A (C)	1480	1440
E** - 1618A (C)	1680	1640
E** - 1619A (C)	1780	1740
E** - 1620A (C)	1880	1840
E** - 1621A (C)	1980	1940
E** - 1623A (C)	2180	2140



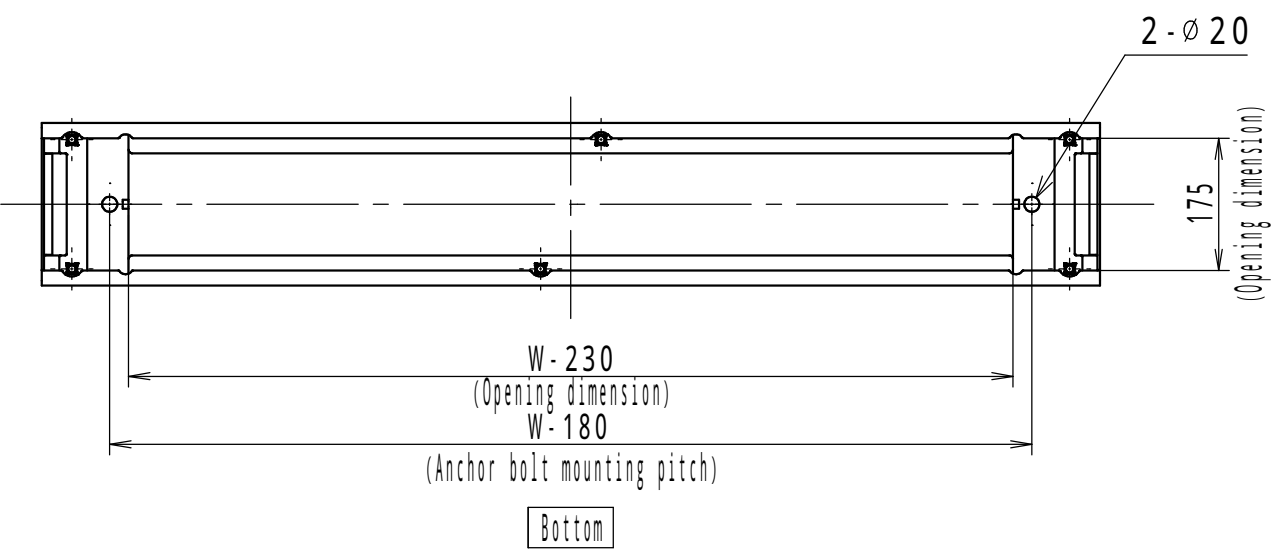
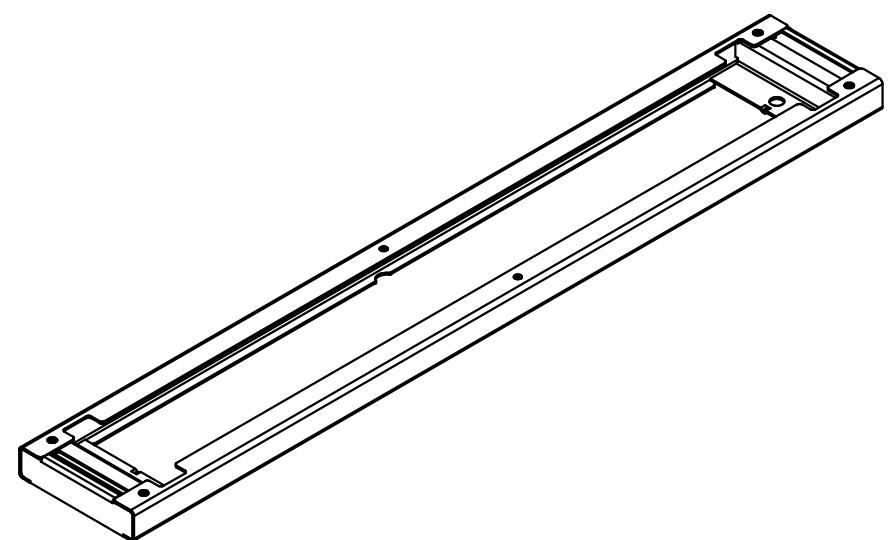
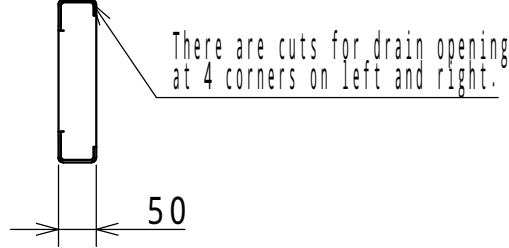
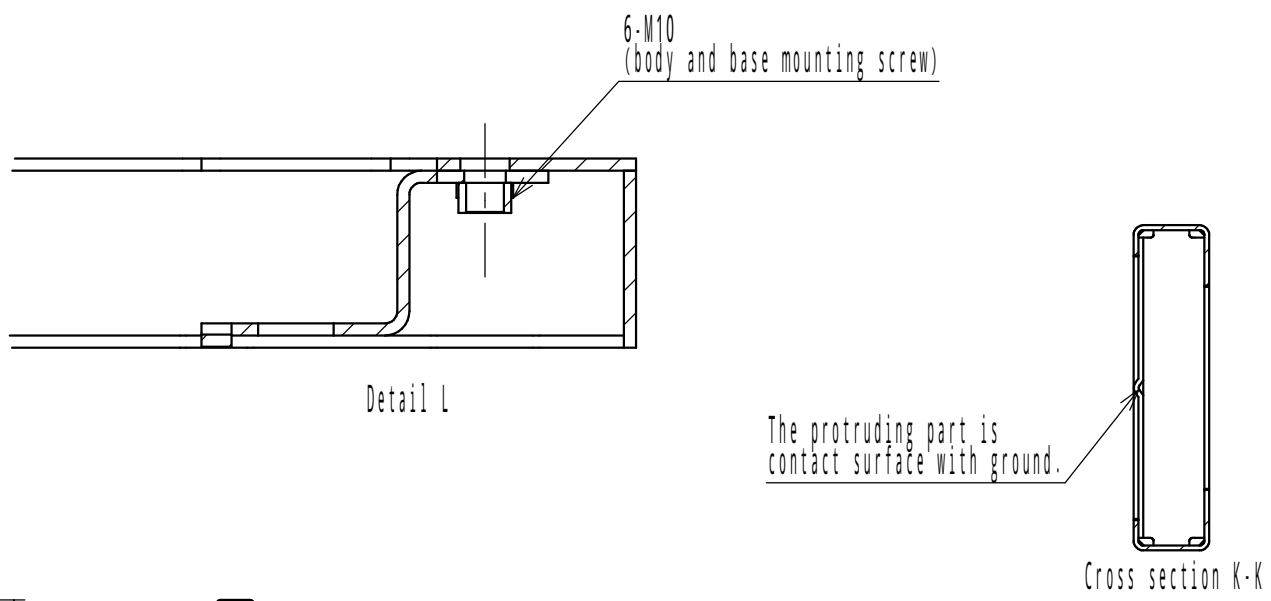
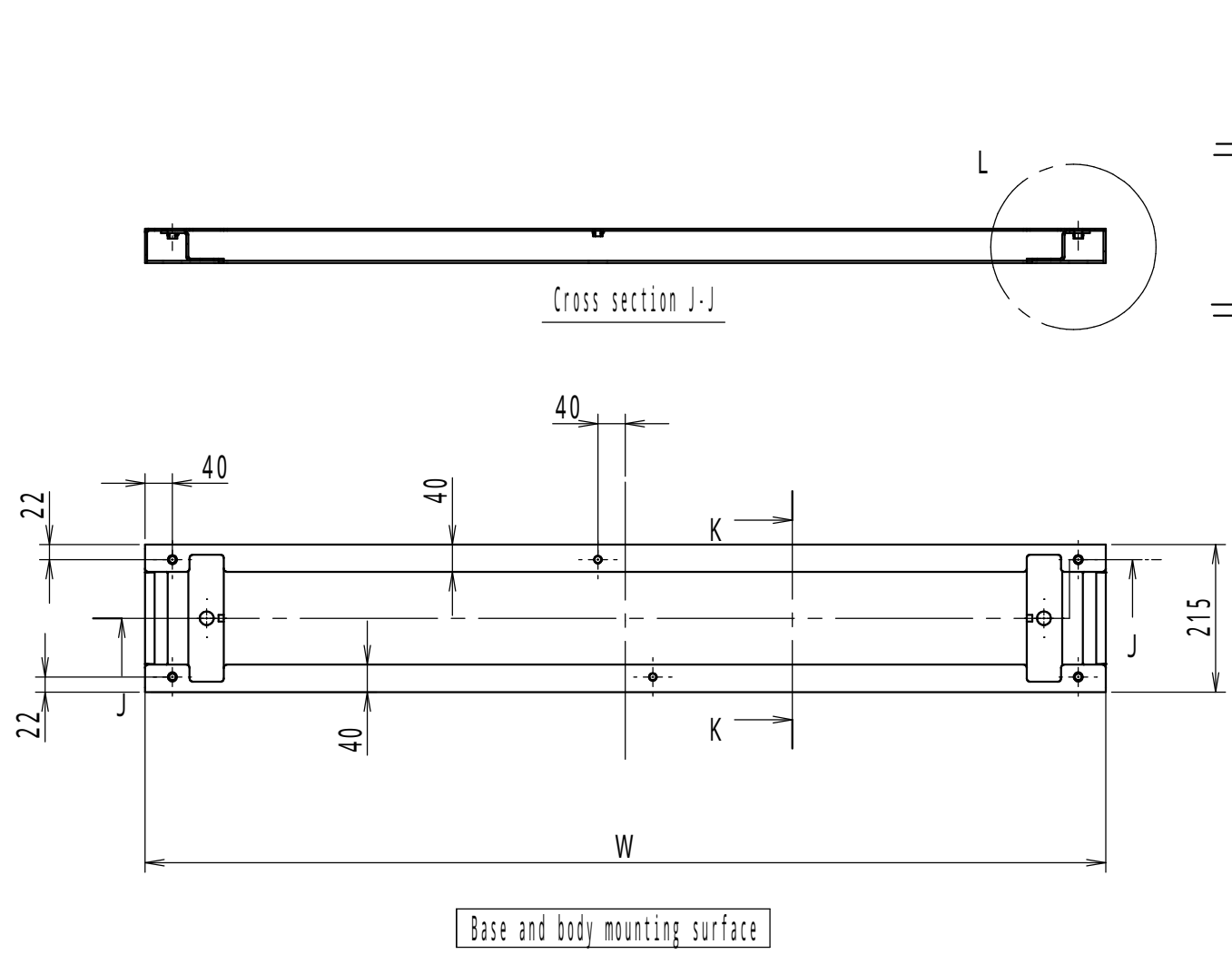
Detail C: Mounting plate(1:2)



Detail E: Earth terminal(1:1)



Model	Detail view E				
Revision					2/3
Scale	Design	ITOU	Draw	NGUYEN	Check SUZUKI
Date: 25 / Mar. / 2021					



NOTE
 1.W is width dimension of the product.
 2.Take measures against falling down, in addition to anchor bolts.

Enclosure specification		Model	E Base (3)			
Type	-	Material	Steel t3.2			
Base	Steel t3.2	Finish	Standard / Light beige (5Y7/1)			
Color	Standard / Light beige (5Y7/1)	Scale	Design	YAMAZAWA	Draw	NGUYEN
-	-	Scale	Check	SUZUKI	3/3	
-	-	Date:	25 / Mar. / 2021			