

NOTE

- 1. The drawing holder is attached with screws.
Storage dimensions: W235 x H250 x thickness 38
- 2. Eyebolts are not assembled to body, they are attached as accessories.

Enclosure specification			Model			E25-719A					
Type	Indoor use, Floor standing, E25-719A		Drawing	1/3							
Body	Steel	t 2.3									
Door	Steel	t 2.3									
Mounting plate	Steel	t 2.3	A3 scale	Scale	1:20	Design	SUZUKI	Draw	NGUYEN	Check	SUZUKI
Color	Standard / Light beige (5Y7/1)										
IP	IP5X (Category 2)										
Weight	111.0 kg		Date:			25 / Mar. / 2021					



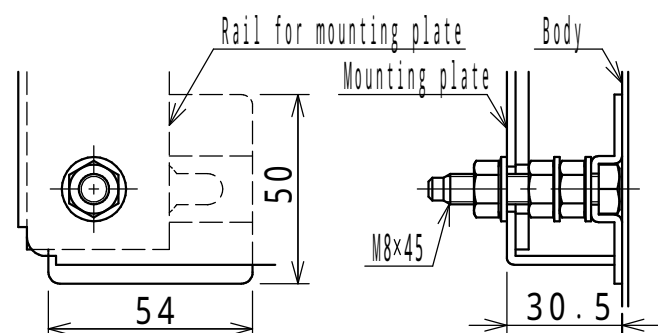
H ≤ 900mm



1000mm ≤ H ≤ 1900mm



2000mm ≤ H



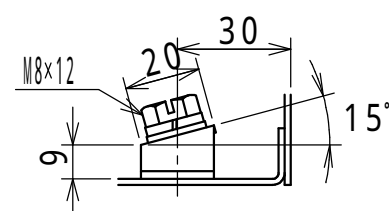
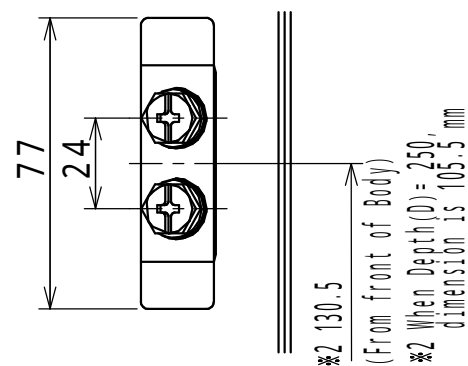
E25-1619A
E35-1616A, 1618A, 1619A, 1620A, 1621A
E40-1616A, 1618A, 1619A, 1620A, 1621A
E50-1616A, 1618A, 1619A, 1620A, 1621A, 1623A

Detail C: Mounting plate installation(1:2)



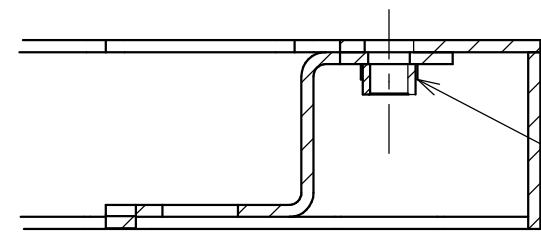
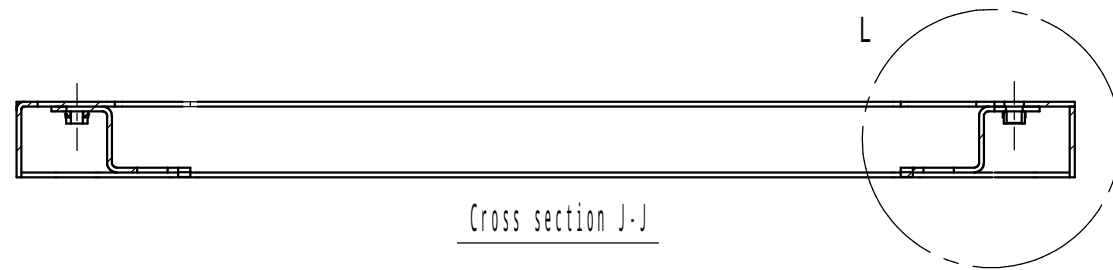
Cross section B-B

* The holes are for W ≥ 1400mm only.
W: Product Width
H: Product Height
D: Product Depth



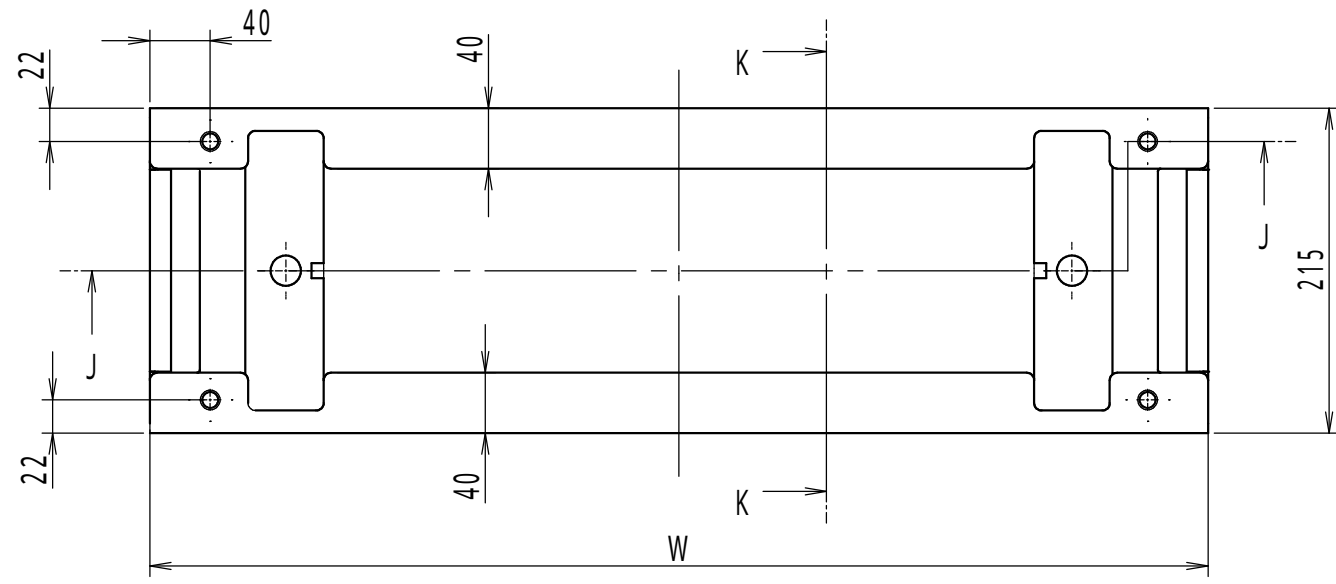
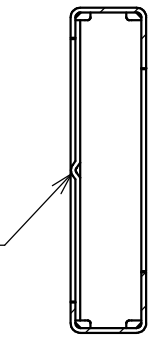
Detail E: Earth terminal(1:2)

Model	Detail view E				
Revision					2/3
Scale	Design	ITOU	Draw	NGUYEN	Check SUZUKI
Date: 25 / Mar. / 2021					

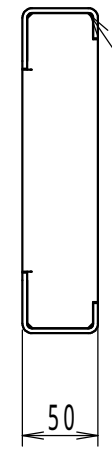


4-M10
(body and base mounting screw)

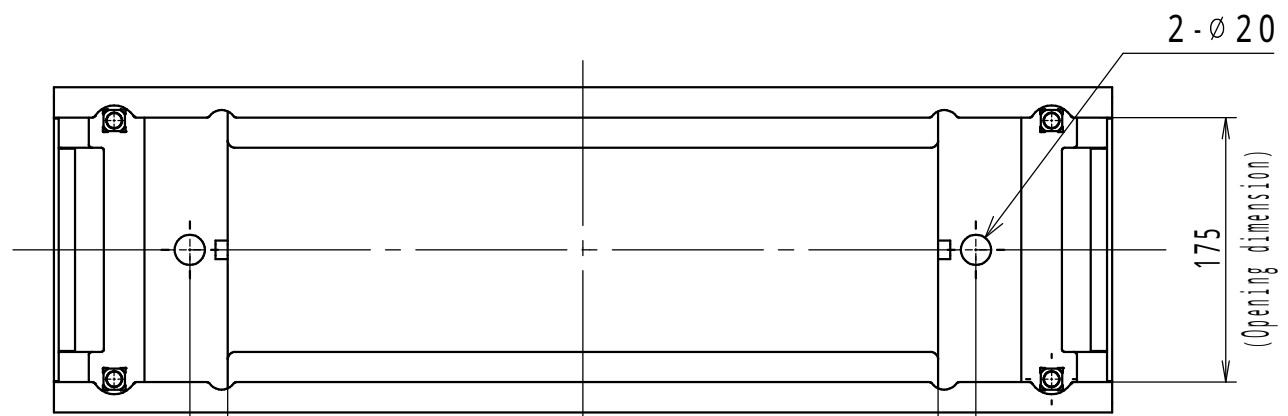
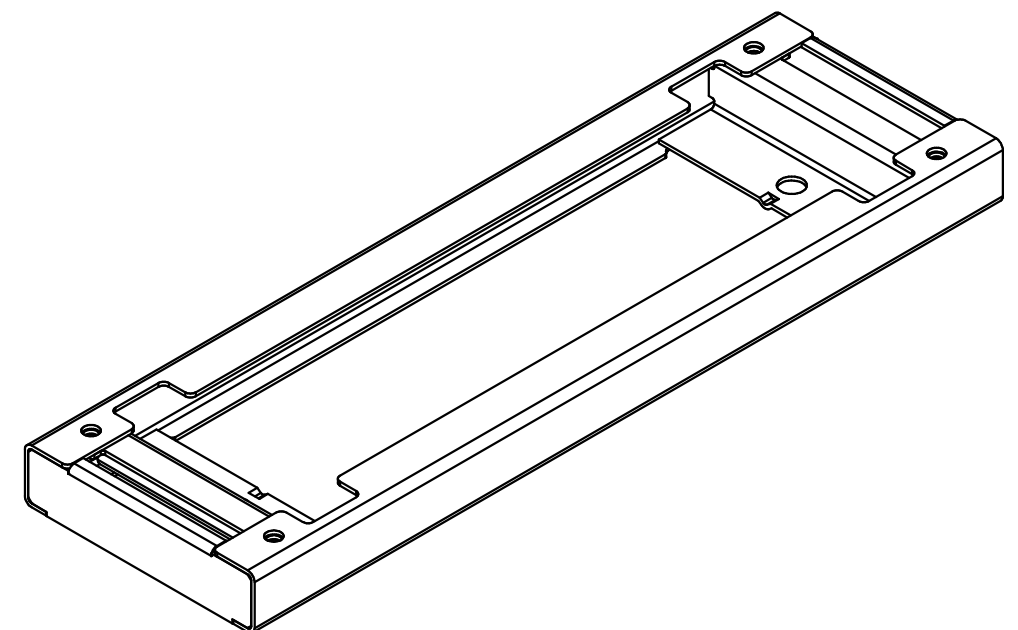
The protruding part is
contact surface with ground.



Base and body mounting surface



There are cuts for drain opening
at 4 corners on left and right.



Bottom

NOTE

- 1.W is width dimension of the product.
- 2.Take measures against falling down, in addition to anchor bolts.

Enclosure specification		Model	E Base (1)			
Type	-	Material	Steel t3.2			
Base	Steel t3.2	Color	Standard / Light beige (5Y7/1)			
Color	Standard / Light beige (5Y7/1)	Scale	A3 scale		Design	YAMAZAWA
-	-	Draw	NGUYEN	Check	SUZUKI	3/3
-	-	Date:	25 / Mar. / 2021			