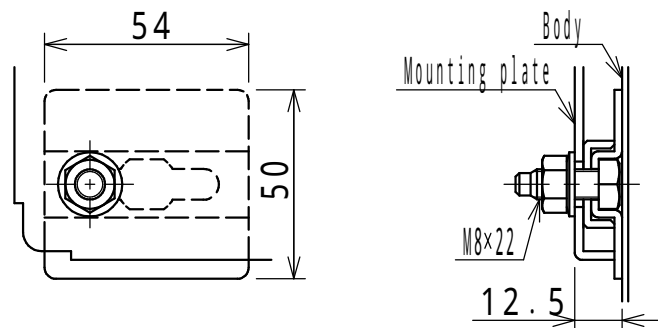


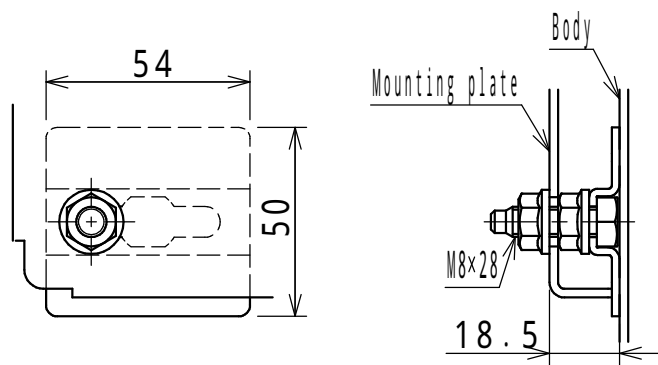
NOTE

1. The drawing holder is attached with screws.
Storage dimensions: W235 x H250 x thickness 38
2. Angle of eyebolt may vary depending on each enclosure.

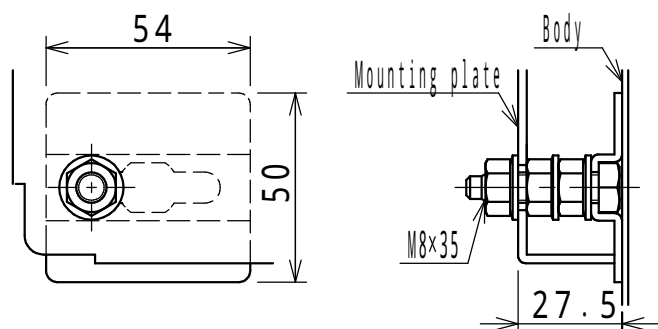
Enclosure specification		Model	E35-1214A						
Type	Indoor use, Floor standing, E35-1214A	Drawing A3 scale	1/3						
Body	Steel t2.3								
Door	Steel t2.3								
Mounting plate	Steel t2.3	Scale	1:20	Design	SUZUKI	Draw	NGUYEN	Check	SUZUKI
Color	Standard / Light beige (5Y7/1)	Date:	25 / Mar. / 2021						
IP	IP4X								
Weight	152.0 kg								



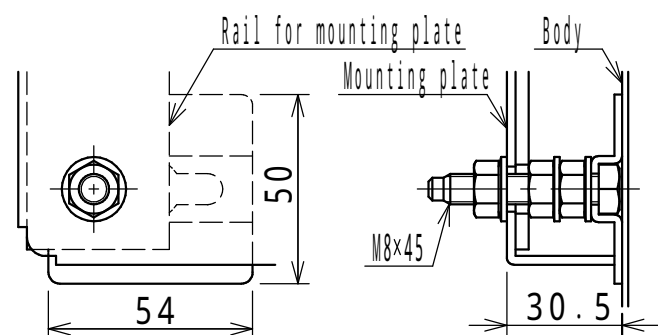
H ≤ 900mm



1000mm ≤ H ≤ 1900mm

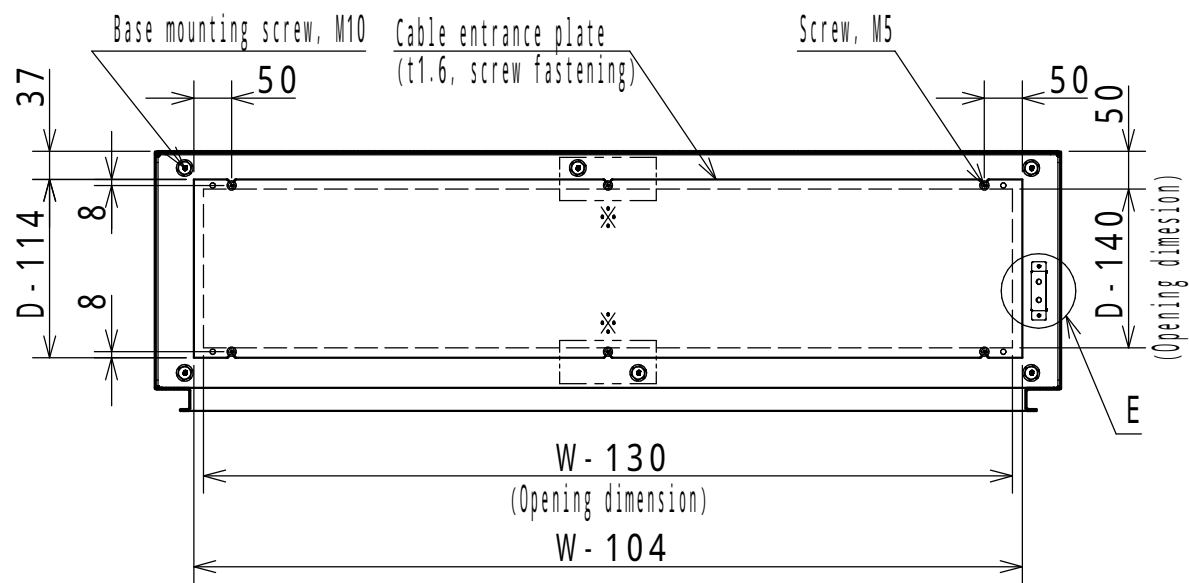


2000mm ≤ H



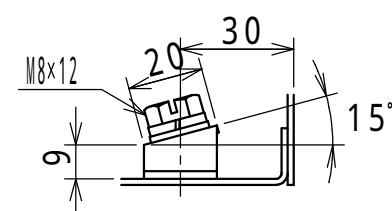
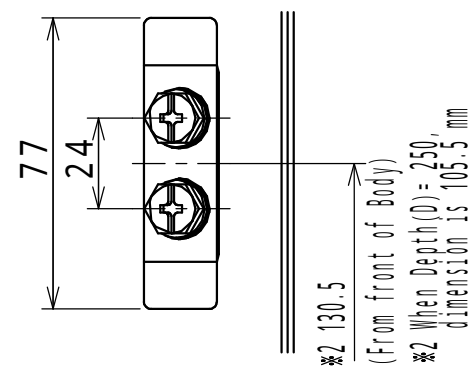
E25-1619A
E35-1616A, 1618A, 1619A, 1620A, 1621A
E40-1616A, 1618A, 1619A, 1620A, 1621A
E50-1616A, 1618A, 1619A, 1620A, 1621A, 1623A

Detail C: Mounting plate installation(1:2)



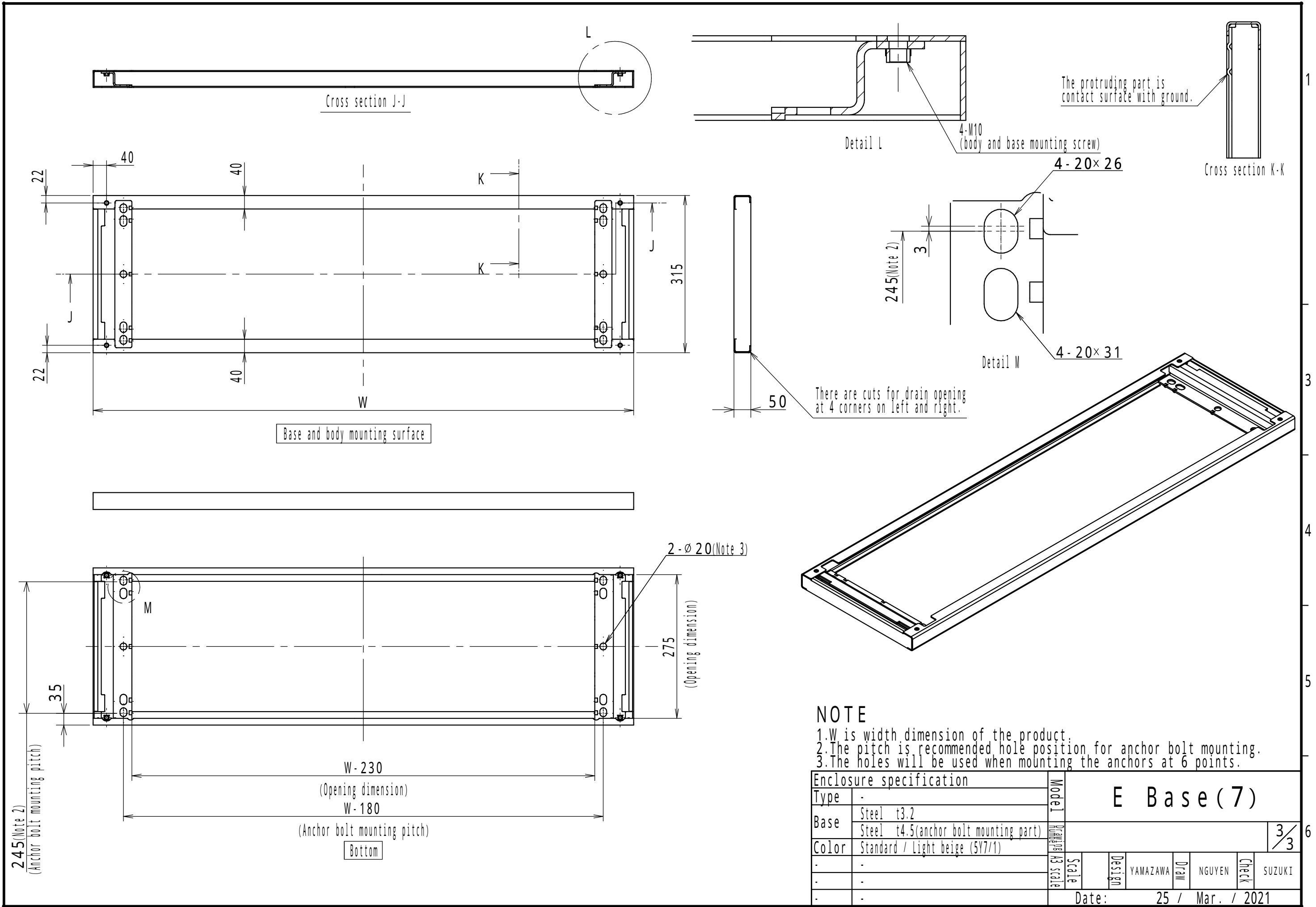
Cross section B-B

* The holes are for W ≥ 1400mm only.
W: Product Width
H: Product Height
D: Product Depth



Detail E: Earth terminal(1:2)

Model	Detail view E				
Revision					2/3
Scale	Design	ITOU	Draw	NGUYEN	Check SUZUKI
Date: 25 / Mar. / 2021					



NOTE
 1. W is width dimension of the product.
 2. The pitch is recommended hole position for anchor bolt mounting.
 3. The holes will be used when mounting the anchors at 6 points.

Enclosure specification		Model	E Base (7)			
Type	-	Material	3/3			
Base	Steel t3.2	Scale	A3 scale			
	Steel t4.5 (anchor bolt mounting part)	Design	YAMAZAWA	Draw	NGUYEN	Check
Color	Standard / Light beige (5Y7/1)	Scale	SUZUKI			
		Date:	25 / Mar. / 2021			