

There is a bend (vertical direction) in center of rear side as shown in above drawing, so be careful when installing equipment.
 Cross section F-F

NOTE
 1. The drawing holder is attached with screws.
 Storage dimensions: W235 x H250 x thickness 38
 2. Angle of eyebolt may vary depending on each enclosure.

Enclosure specification		Model	E 35 - 1218A							
Type	Indoor use, Floor standing, E35-1218A	Drawing	1/3							
Body	Steel t 2.3									
Door	Steel t 2.3									
Mounting plate	Steel t 2.3	A3 scale	Scale	1:20	Design	INOUE	Draw	NGUYEN	Check	SUZUKI
Color	Standard / Light beige (5Y7/1)									
IP	IP4X									
Weight	185.0 kg	Date:		25 / Mar. / 2021						



H ≤ 900mm



1000mm ≤ H ≤ 1900mm

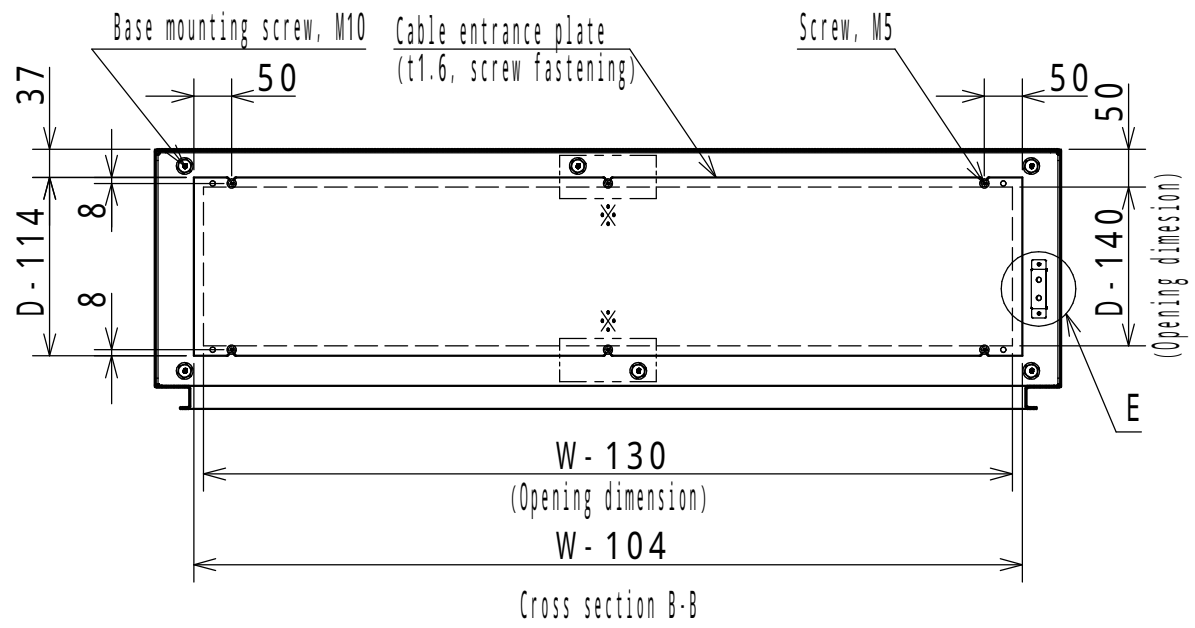


2000mm ≤ H



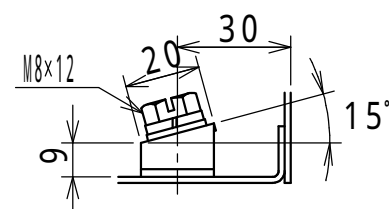
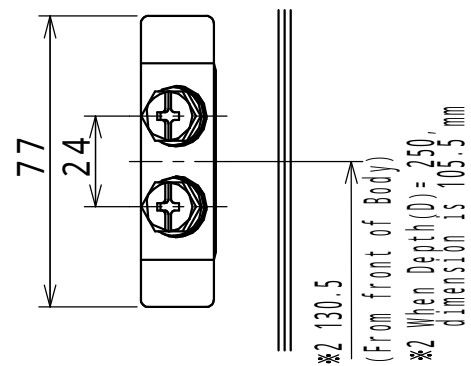
E25-1619A
E35-1616A, 1618A, 1619A, 1620A, 1621A
E40-1616A, 1618A, 1619A, 1620A, 1621A
E50-1616A, 1618A, 1619A, 1620A, 1621A, 1623A

Detail C: Mounting plate installation(1:2)



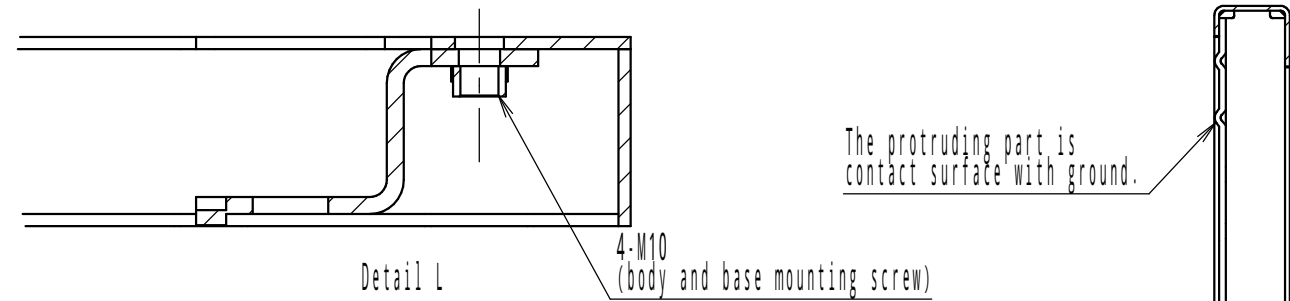
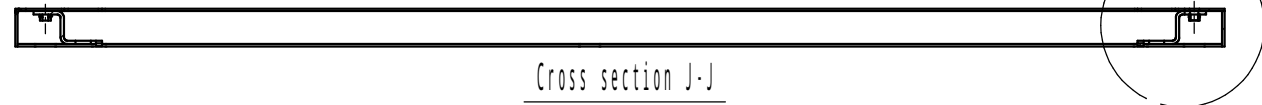
W: Product Width
H: Product Height
D: Product Depth

* The holes are for W ≥ 1400mm only.



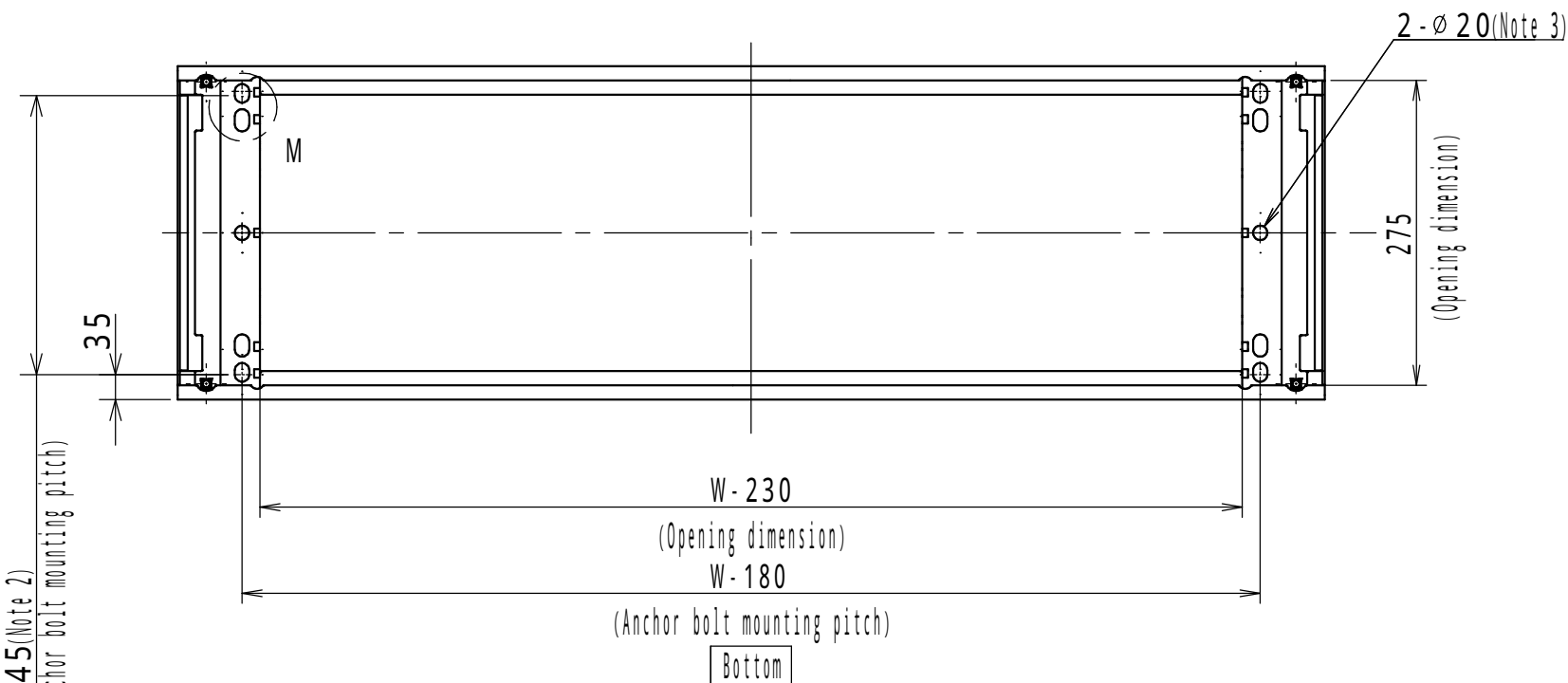
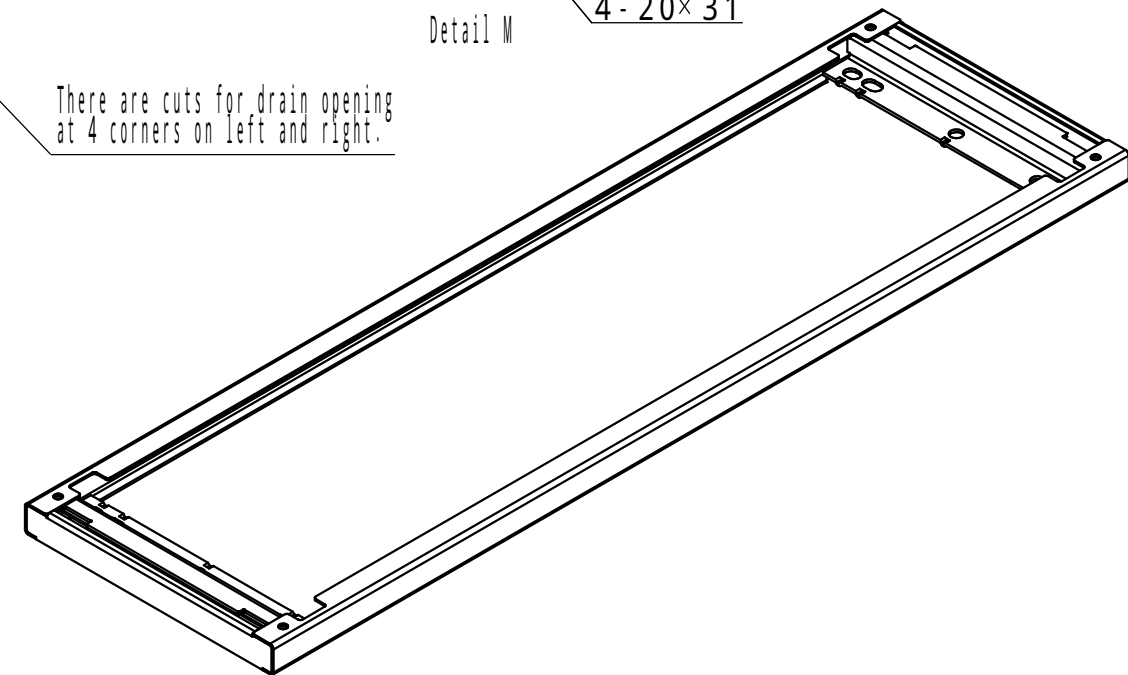
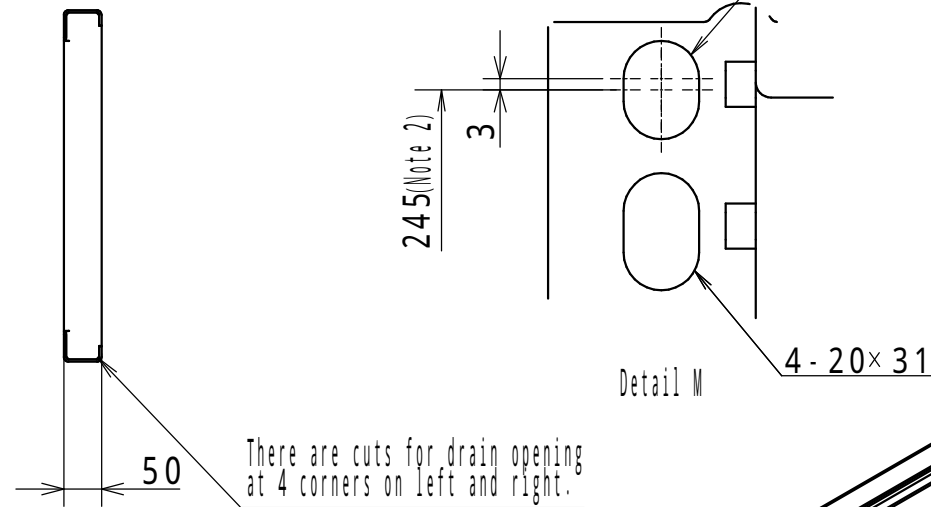
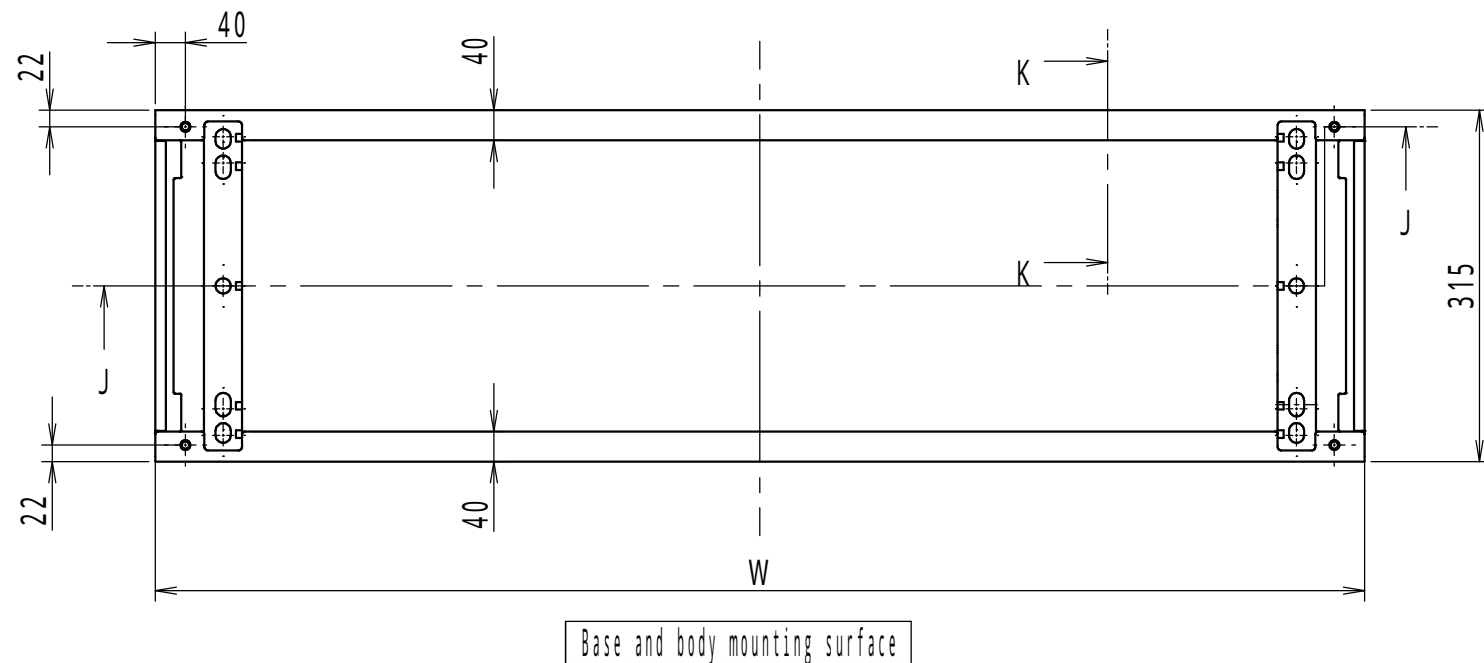
Detail E: Earth terminal(1:2)

Model	Detail view E				
Revision					2/3
Scale	Design	ITOU	Draw	NGUYEN	Check SUZUKI
Date: 25 / Mar. / 2021					



The protruding part is contact surface with ground.

Cross section K-K



NOTE

- 1.W is width dimension of the product.
- 2.The pitch is recommended hole position for anchor bolt mounting.
- 3.The holes will be used when mounting the anchors at 6 points.

Enclosure specification		Model	E Base (7)			
Type	-	Material	3/3			
Base	Steel t3.2	Scale				
	Steel t4.5(anchor bolt mounting part)	Design	YAMAZAWA	Draw	NGUYEN	Check
Color	Standard / Light beige (5Y7/1)	Scale	SUZUKI			
		Date:	25 / Mar. / 2021			