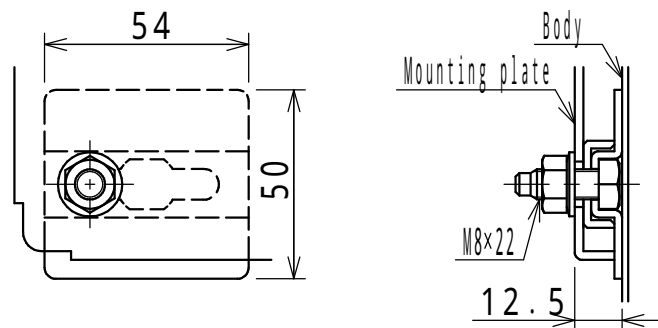


There is a bend (vertical direction) in center of rear side as shown in above drawing, so be careful when installing equipment.  
Cross section F-F

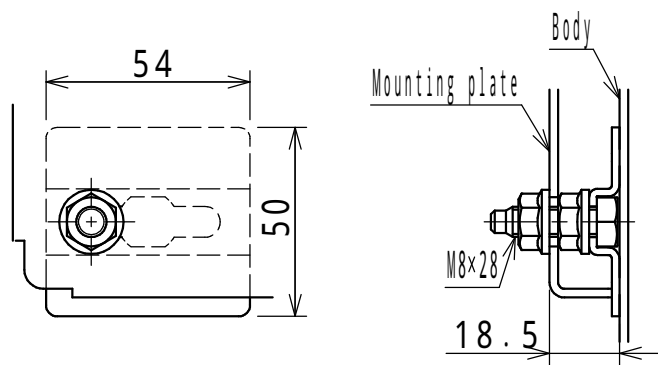
**NOTE**

- The drawing holder is attached with screws.  
Storage dimensions: W235 x H250 x thickness 38
- Angle of eyebolt may vary depending on each enclosure.

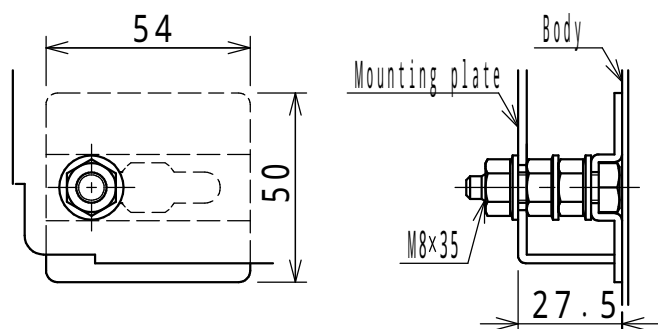
Enclosure specification		Model	E35-1220A								
Type	Indoor use, Floor standing, E35-1220A	Drawing A3 scale	Scale	1:25	Design	INOUE	Draw	NGUYEN	Check	SUZUKI	
Body	Steel										t 2.3
Door	Steel										t 2.3
Mounting plate	Steel	t 2.3									
Color	Standard / Light beige (5Y7/1)										
IP	IP4X										
Weight	202.0kg	Date: 25 / Mar. / 2021									



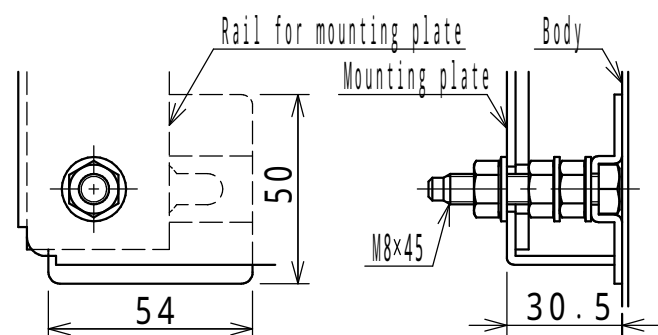
H ≤ 900mm



1000mm ≤ H ≤ 1900mm

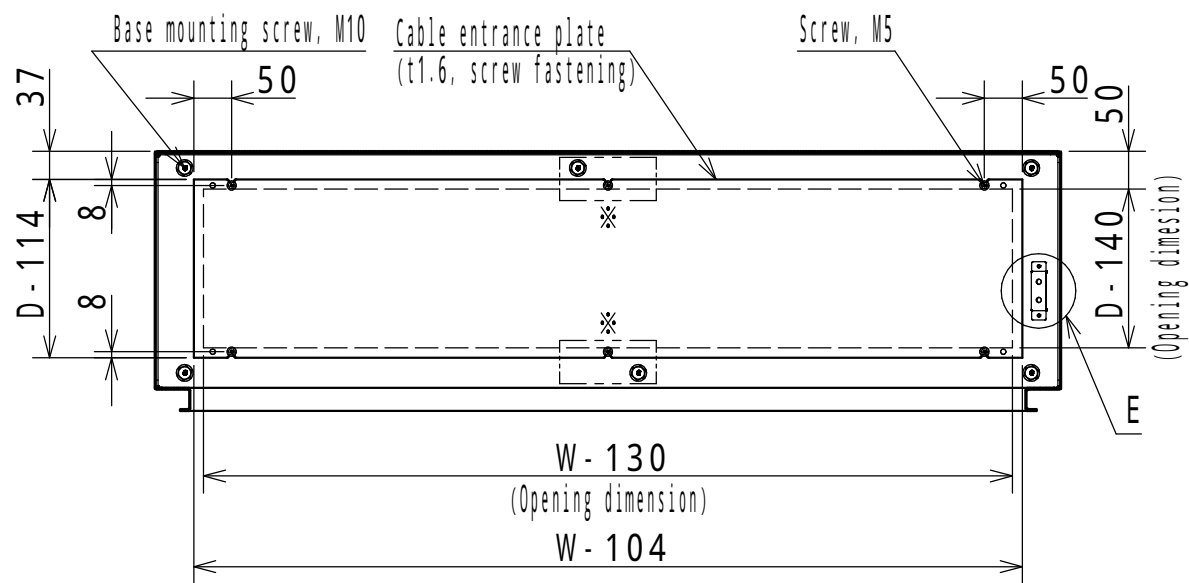


2000mm ≤ H



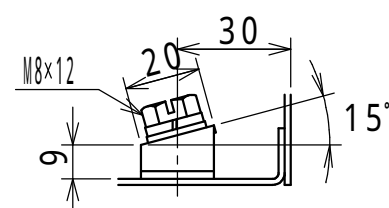
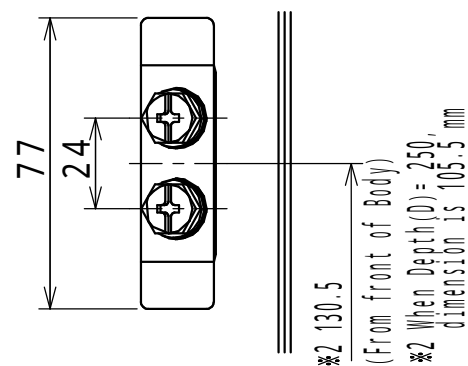
E25-1619A  
E35-1616A, 1618A, 1619A, 1620A, 1621A  
E40-1616A, 1618A, 1619A, 1620A, 1621A  
E50-1616A, 1618A, 1619A, 1620A, 1621A, 1623A

Detail C: Mounting plate installation(1:2)



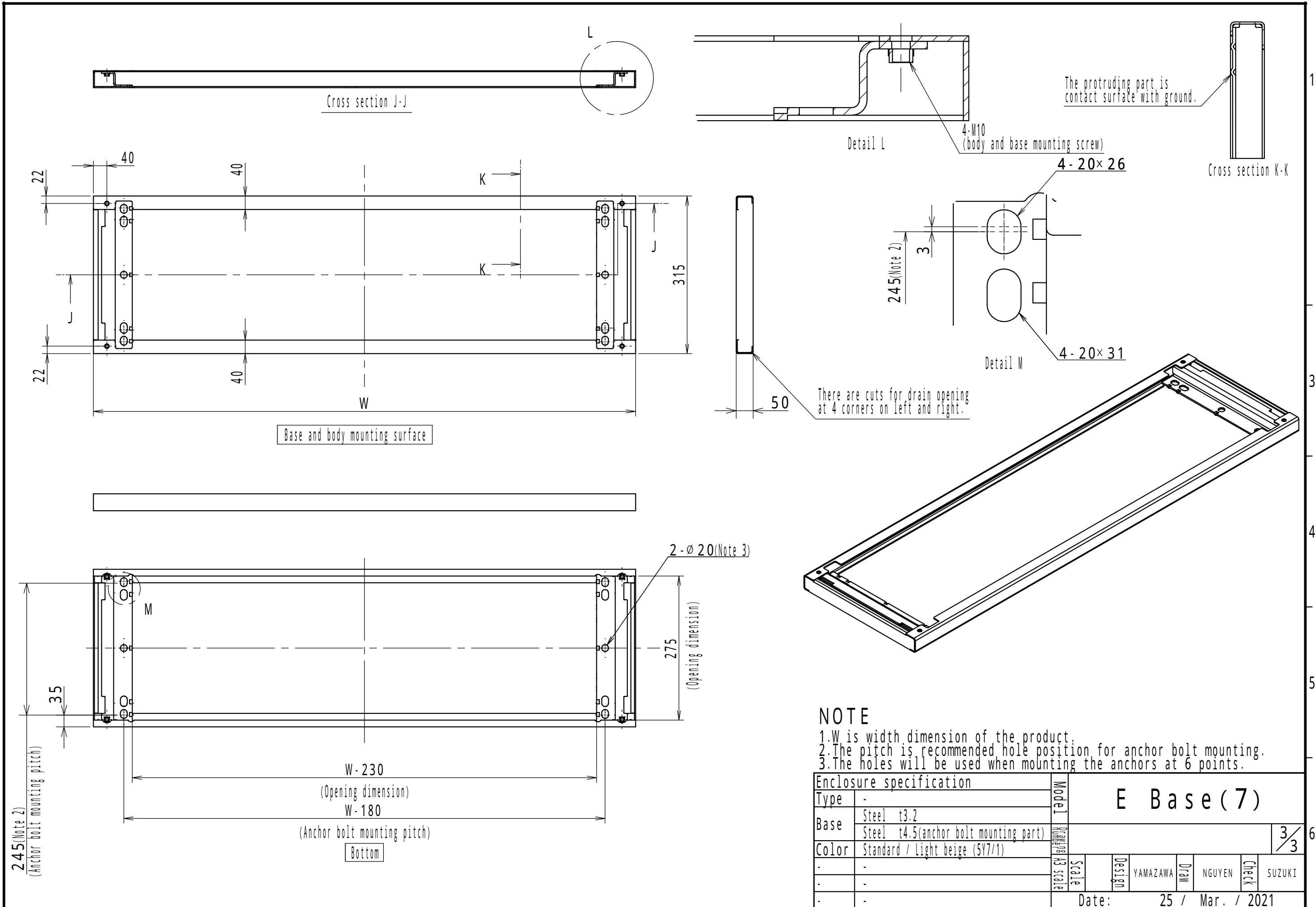
Cross section B-B

\* [ ] The holes are for W ≥ 1400mm only.  
W: Product Width  
H: Product Height  
D: Product Depth



Detail E: Earth terminal(1:2)

Model	Detail view E				
Revision					2/3
Scale	Design	ITOU	Draw	NGUYEN	Check SUZUKI
Date: 25 / Mar. / 2021					



Enclosure specification		Model	E Base (7)			
Type	-	Material	3/3			
Base	Steel t3.2	Scale	A3 scale			
	Steel t4.5(anchor bolt mounting part)	Design	YAMAZAWA	Draw	NGUYEN	Check
Color	Standard / Light beige (5Y7/1)					SUZUKI
		Date:	25 / Mar. / 2021			