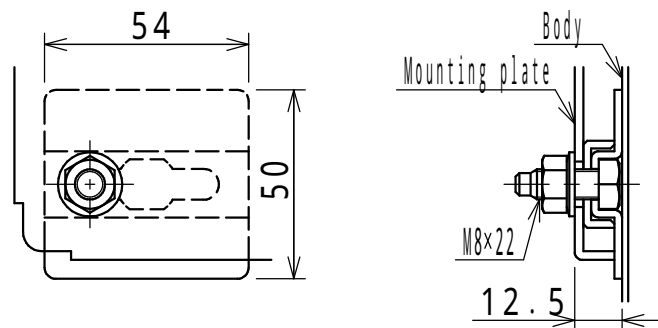


There is a bend (vertical direction) in center of rear side as shown in above drawing, so be careful when installing equipment.
Cross section F-F

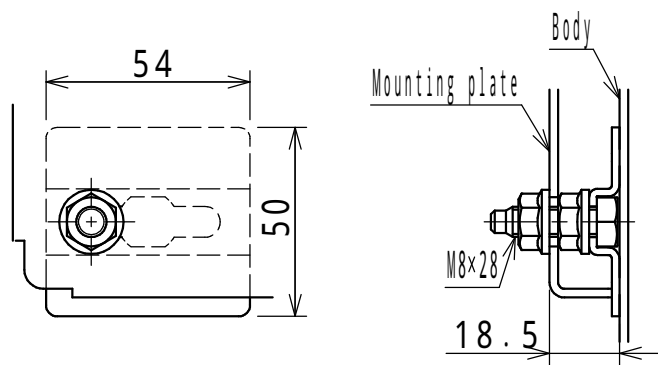
NOTE

- The drawing holder is attached with screws.
Storage dimensions: W235 x H250 x thickness 38
- Angle of eyebolt may vary depending on each enclosure.

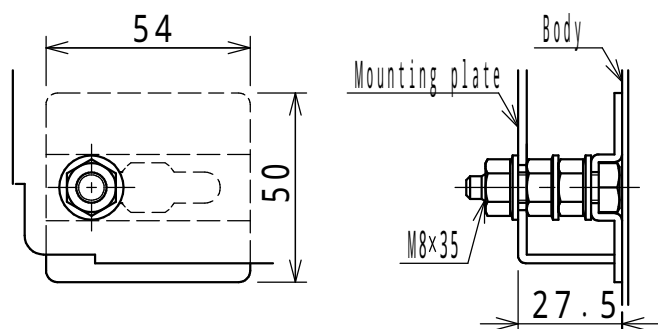
Enclosure specification		Model	E35-1421A						
Type	Indoor use, Floor standing, E35-1421A	Drawing A3 scale	1/3						
Body	Steel t2.3								
Door	Steel t2.3								
Mounting plate	Steel t2.3	Scale	1:25	Design	INOUE	Draw	NGUYEN	Check	SUZUKI
Color	Standard / Light beige (5Y7/1)								
IP	IP4X								
Weight	238.0 kg	Date: 25 / Mar. / 2021							



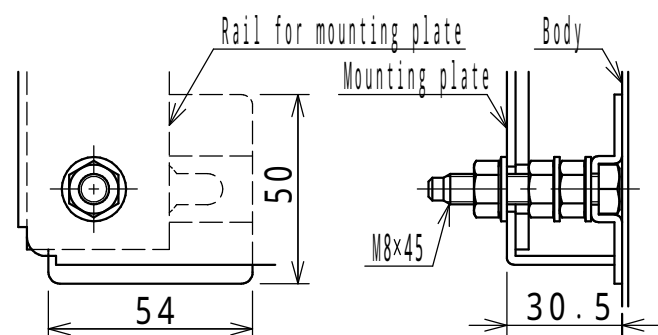
H ≤ 900mm



1000mm ≤ H ≤ 1900mm

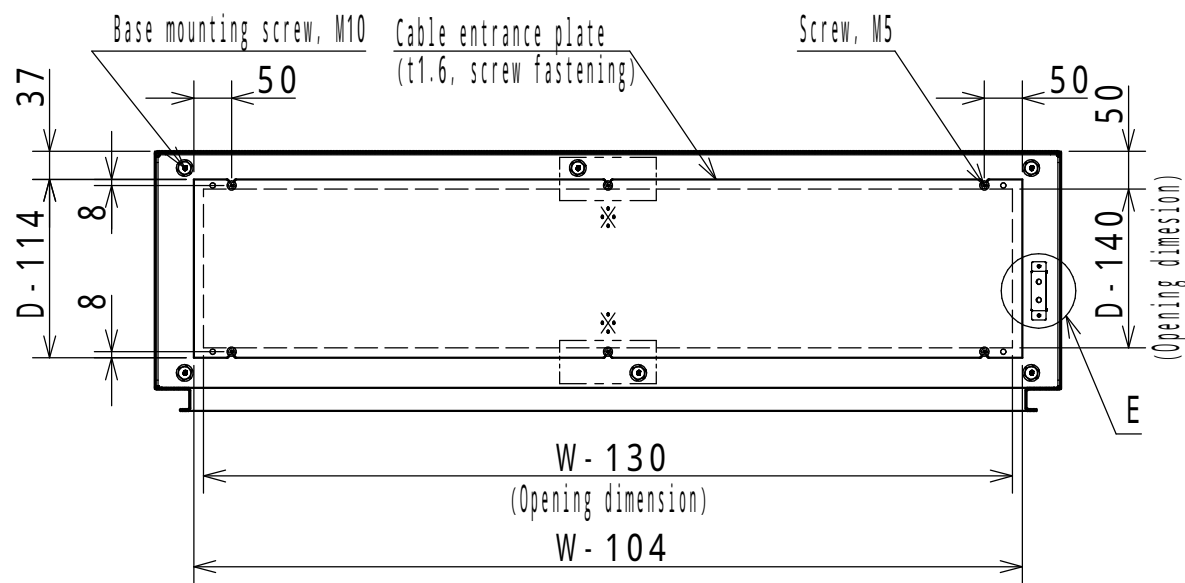


2000mm ≤ H



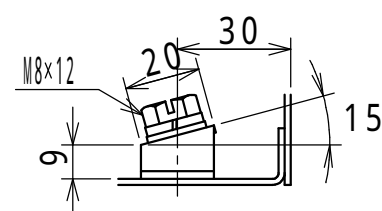
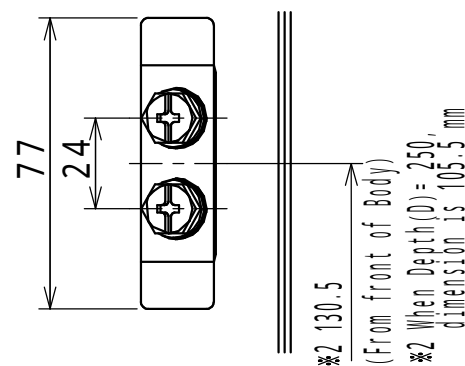
E25-1619A
E35-1616A, 1618A, 1619A, 1620A, 1621A
E40-1616A, 1618A, 1619A, 1620A, 1621A
E50-1616A, 1618A, 1619A, 1620A, 1621A, 1623A

Detail C: Mounting plate installation(1:2)



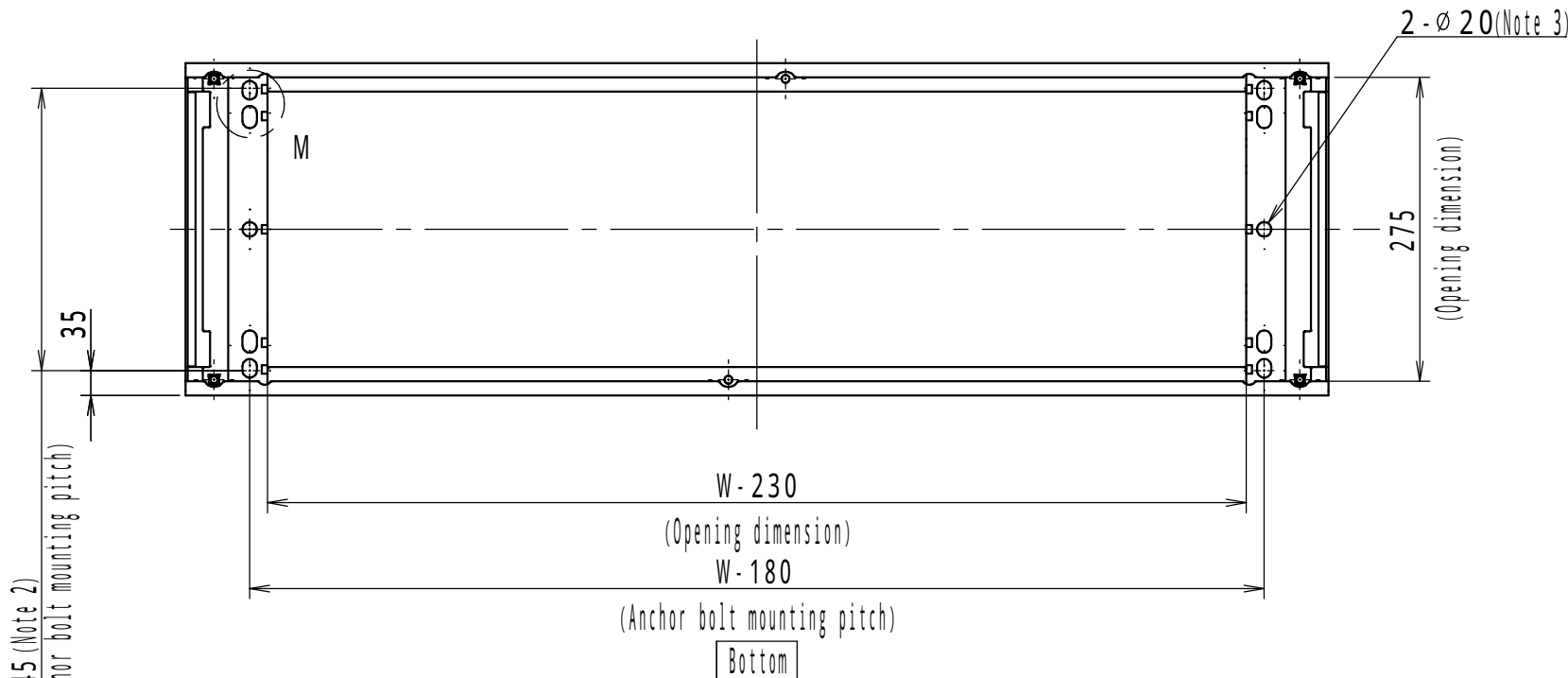
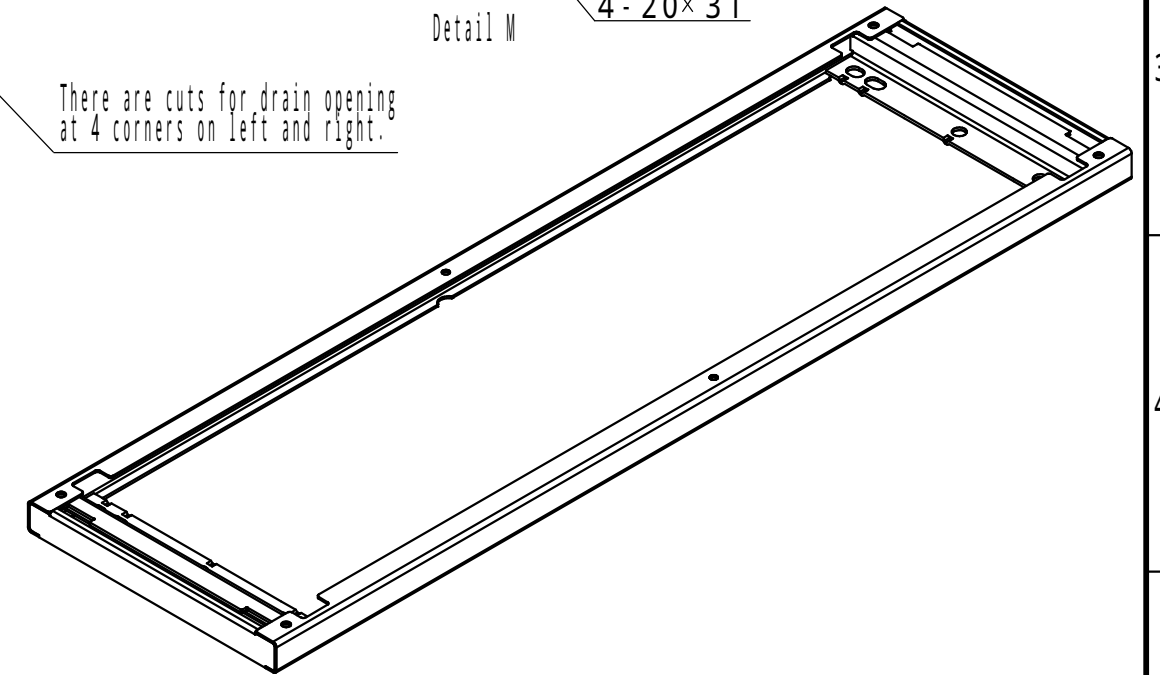
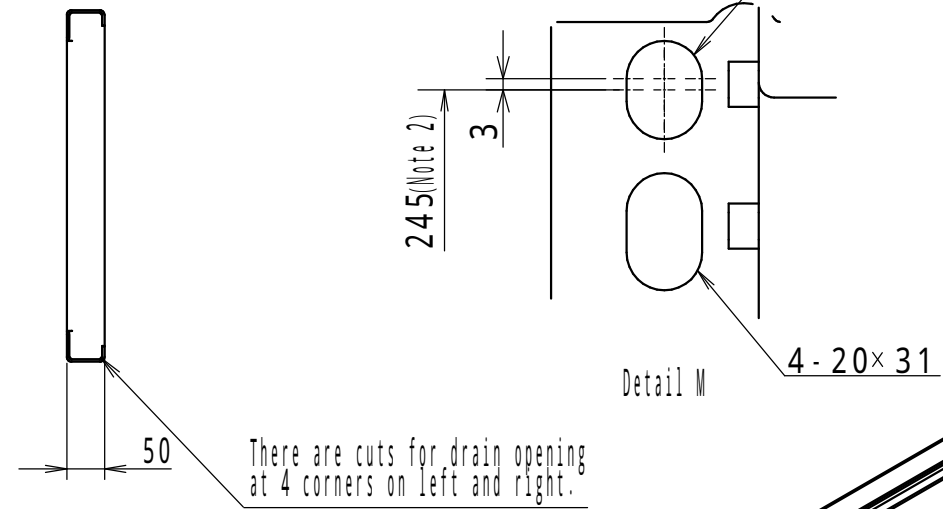
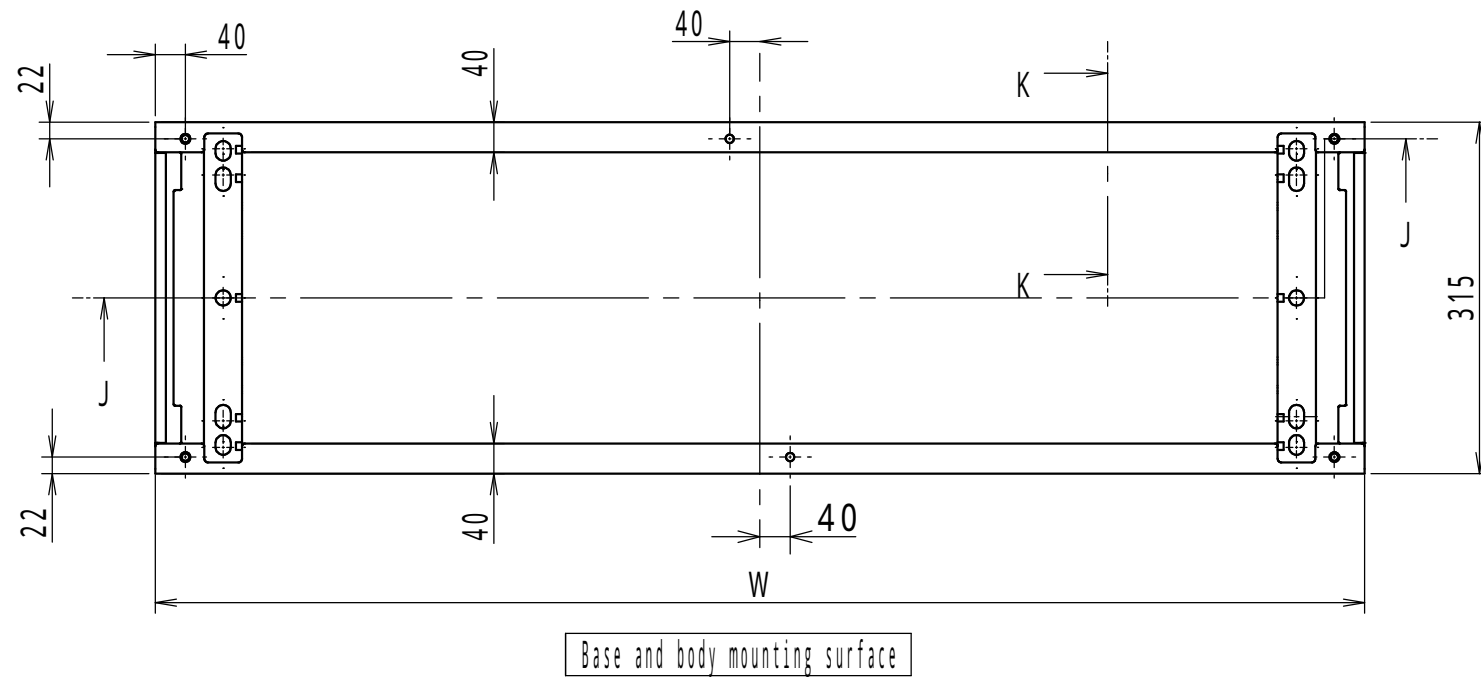
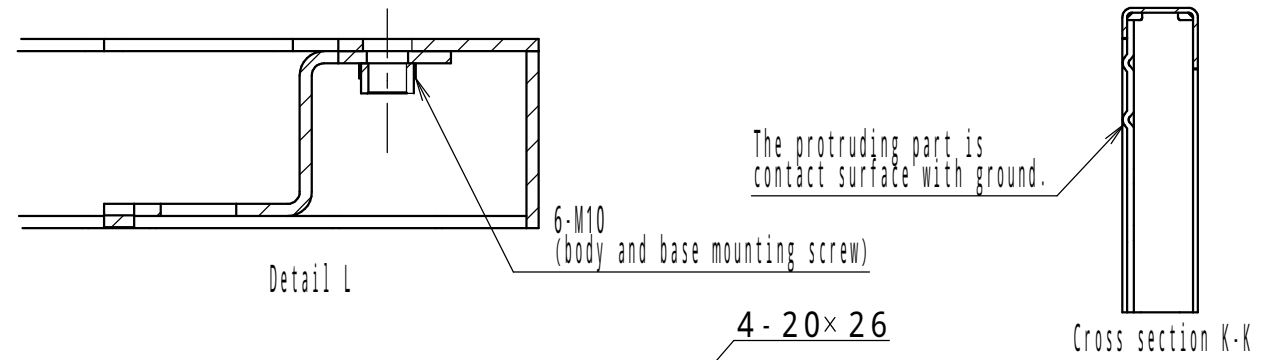
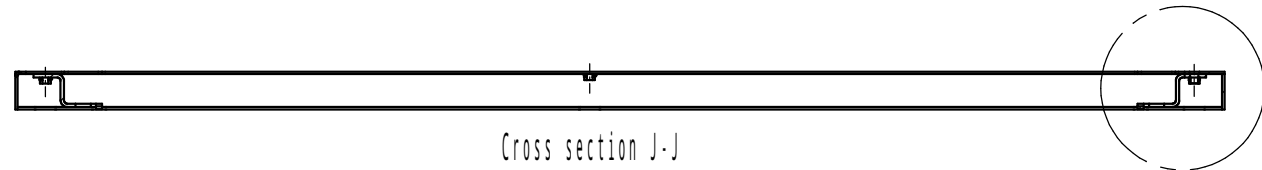
Cross section B-B

* The holes are for W ≥ 1400mm only.
W: Product Width
H: Product Height
D: Product Depth



Detail E: Earth terminal(1:2)

Model	Detail view E				
Revision					2/3
Scale	Design	ITOU	Draw	NGUYEN	Check SUZUKI
Date: 25 / Mar. / 2021					



NOTE

1. W is width dimension of the product.
2. The pitch is recommended hole position for anchor bolt mounting.
3. The holes will be used when mounting the anchors at 6 points.

Enclosure specification		Model	E Base (19)			
Type	-	Material				3/3
Base	Steel t3.2	Material				
	Steel t4.5 (anchor bolt mounting part)	Material				
Color	Standard / Light beige (5Y7/1)	Material				
		Scale	Design	YAMAZAWA	Draw	NGUYEN
					Check	SUZUKI
		Date: 25 / Mar. / 2021				