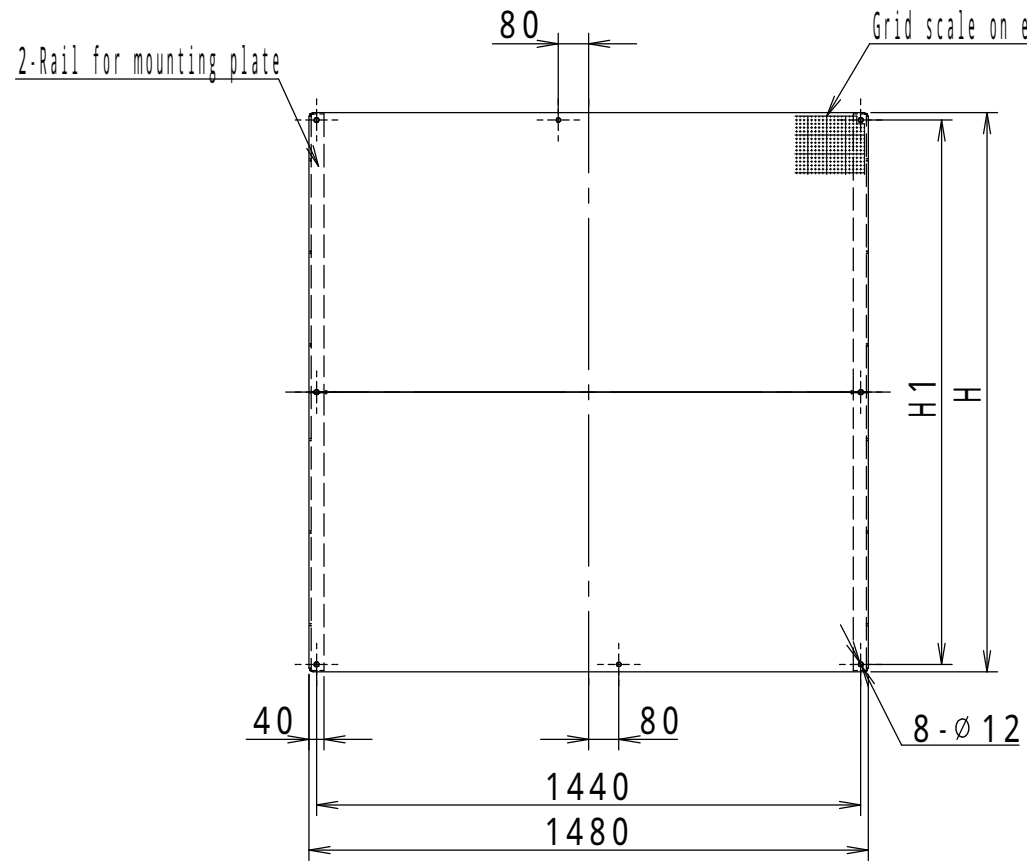


There is a bend (vertical direction) in center of rear side as shown in above drawing, so be careful when installing equipment.
Cross section F-F

NOTE

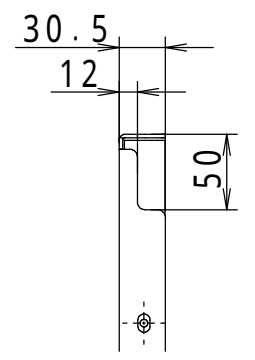
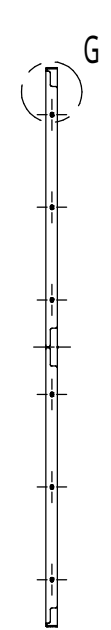
1. The drawing holder is attached with screws.
Storage dimensions: W235 x H250 x thickness 38
2. Angle of eyebolt may vary depending on each enclosure.

| Enclosure specification | | Model | E35-1621A | | | | | | | |
|-------------------------|---------------------------------------|---------------------|-----------|------|--------|-------|------|--------|-------|------------------------|
| Type | Indoor use, Floor standing, E35-1621A | Drawing A3 scale | Scale | 1:25 | Design | INOUE | Draw | NGUYEN | Check | SUZUKI |
| Body | Steel t2.3 | | | | | | | | | |
| Door | Steel t2.3 | | | | | | | | | |
| Mounting plate | Steel t2.3 | | | | | | | | | |
| Color | Standard / Light beige (5Y7/1) | | | | | | | | | |
| IP | IP4X | | | | | | | | | |
| Weight | 290.0kg | | | | | | | | | |
| | | | | | | | | | | Date: 25 / Mar. / 2021 |

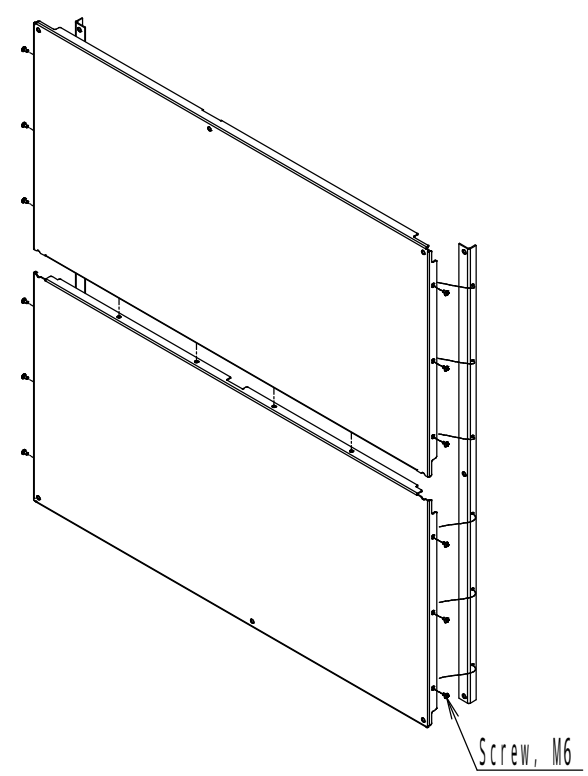


Mounting plate (Divided into top and bottom parts)

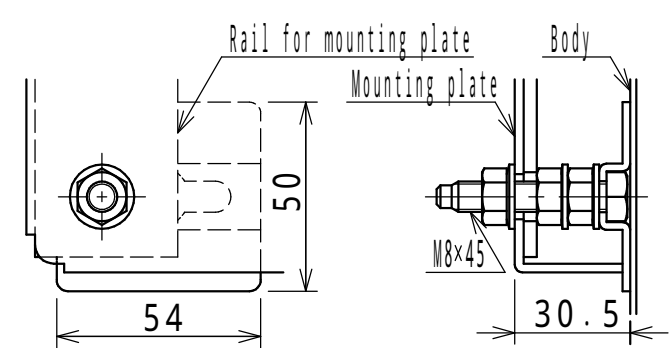
Grid scale on entire surface



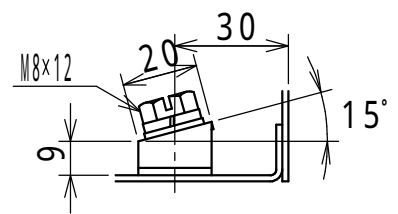
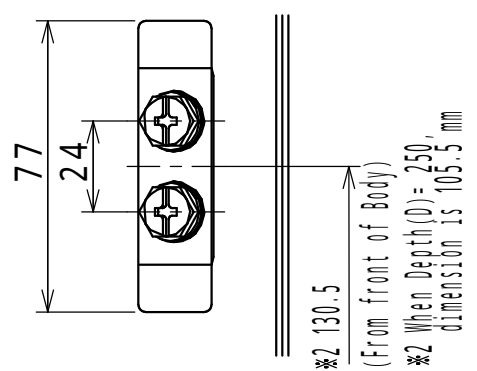
Detail G: Mounting plate(1:5)



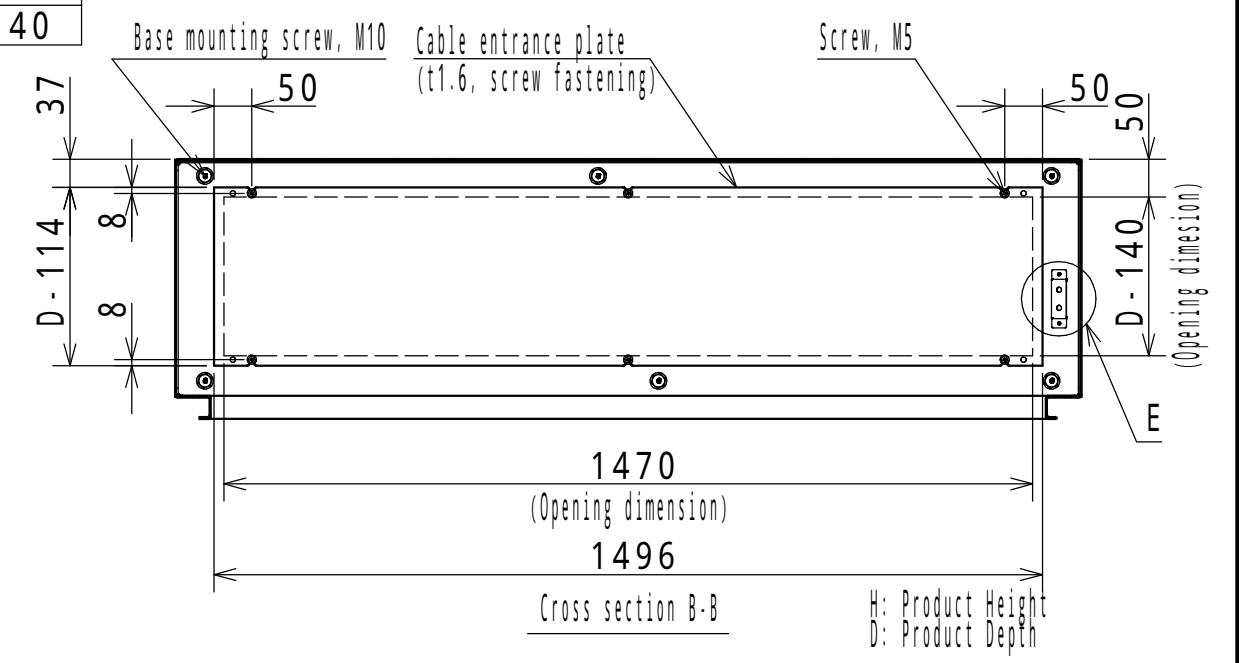
| Product name | H | H1 |
|-----------------|------|------|
| E** - 1616A (C) | 1480 | 1440 |
| E** - 1618A (C) | 1680 | 1640 |
| E** - 1619A (C) | 1780 | 1740 |
| E** - 1620A (C) | 1880 | 1840 |
| E** - 1621A (C) | 1980 | 1940 |
| E** - 1623A (C) | 2180 | 2140 |



Detail C: Mounting plate(1:2)

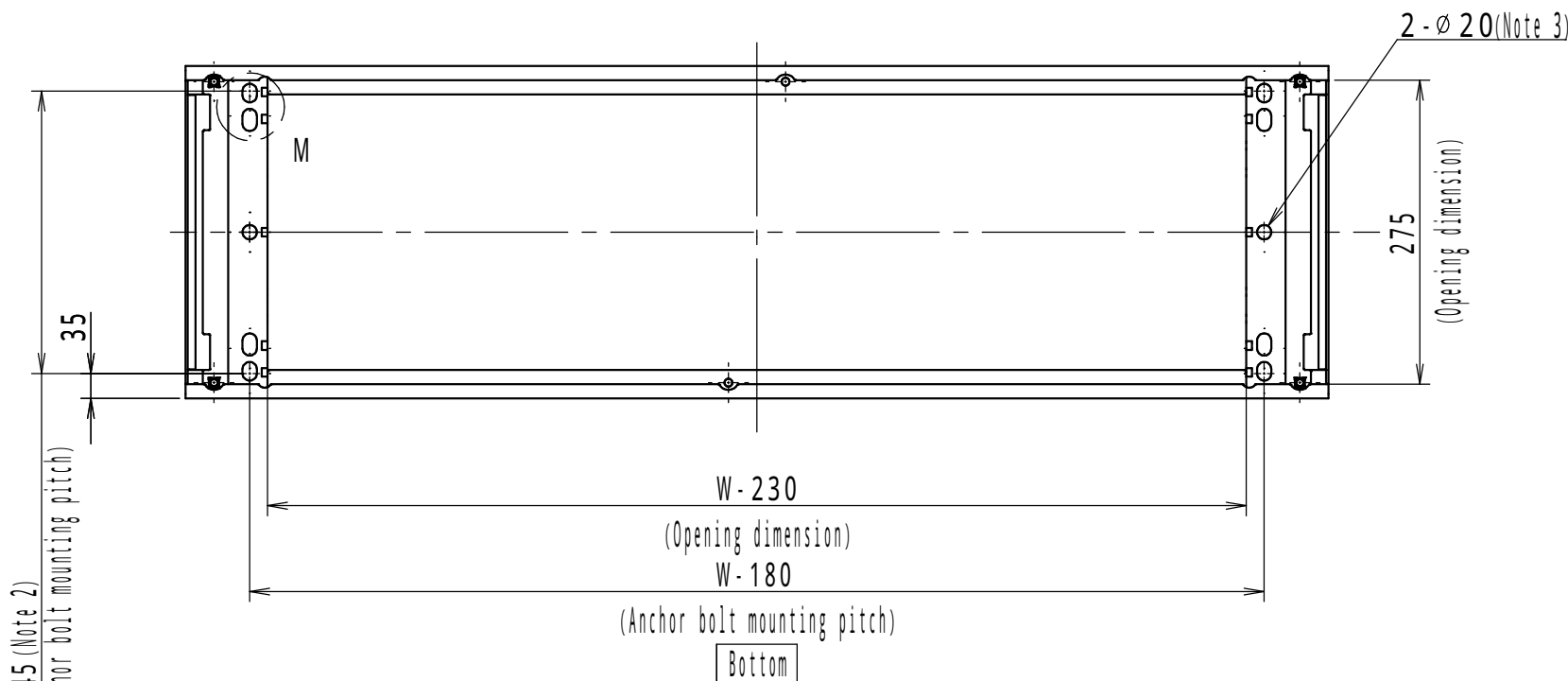
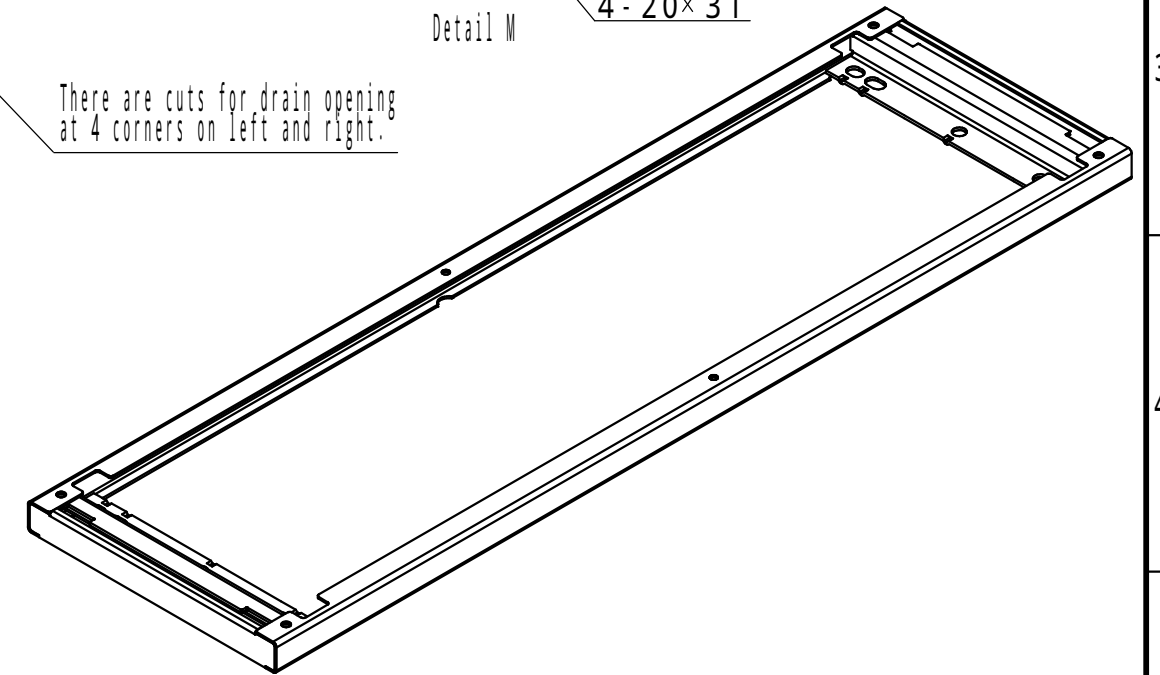
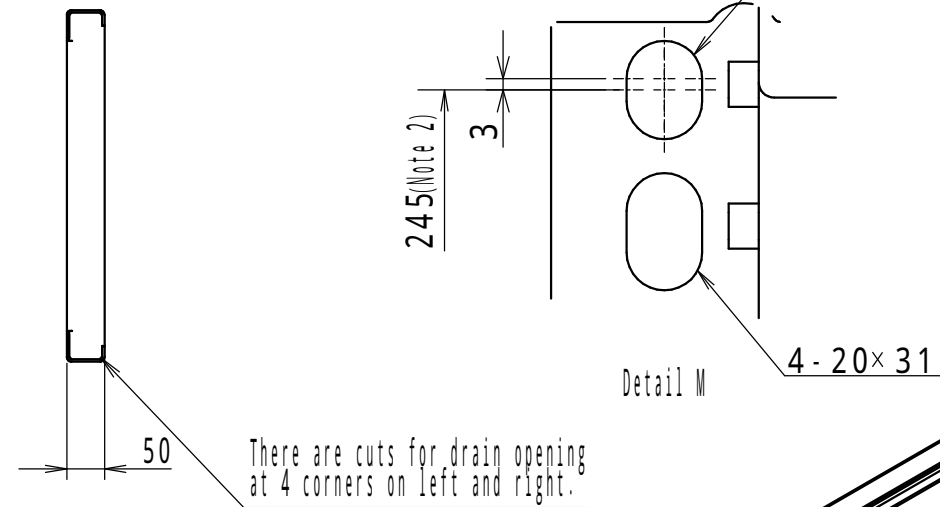
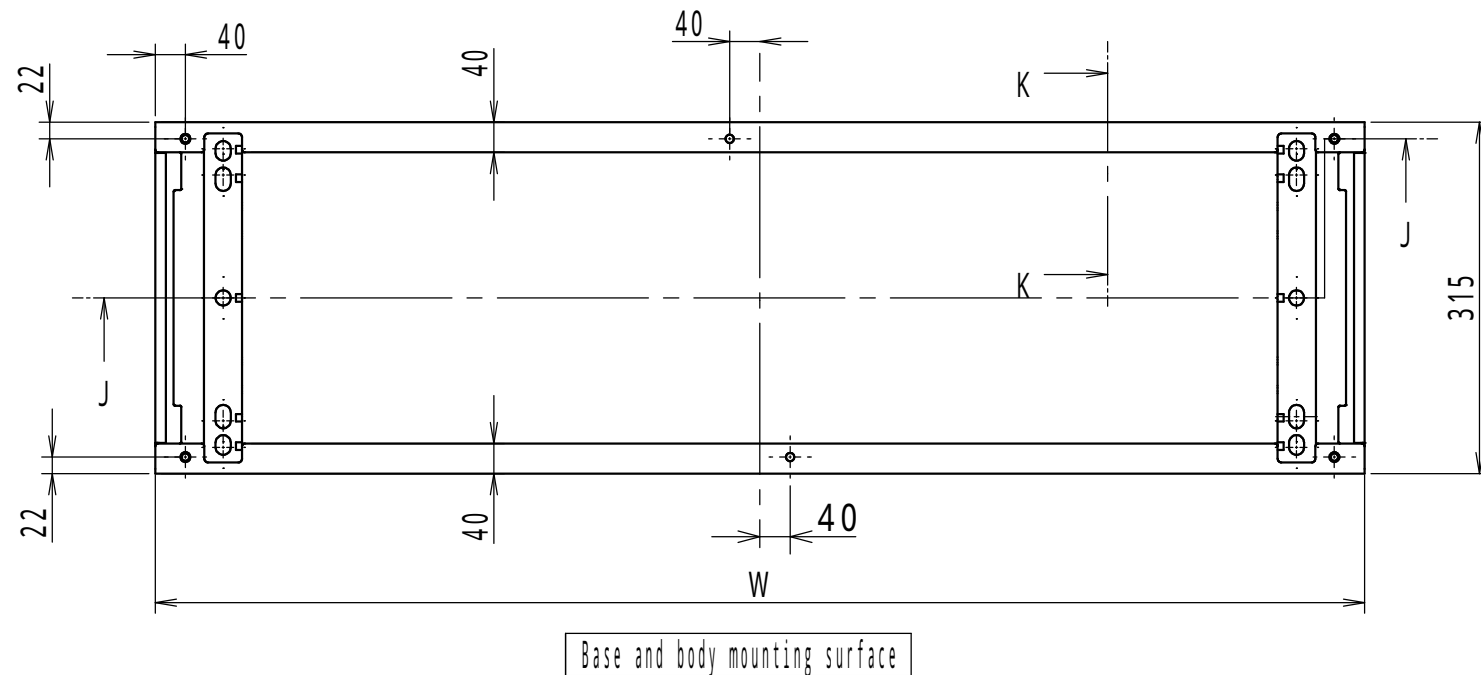
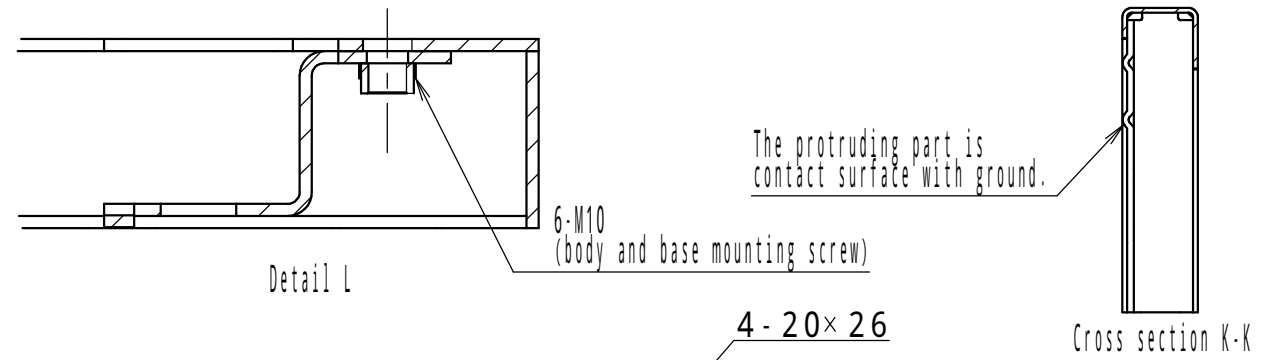
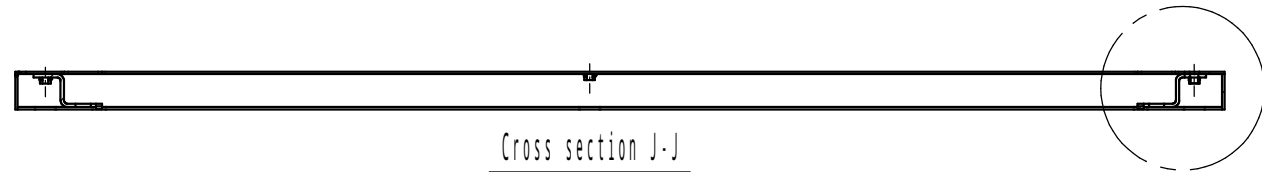


Detail E: Earth terminal(1:1)



Cross section B-B
H: Product Height
D: Product Depth

| | | | | | |
|------------------------|---------------|------|------|--------|--------------|
| Model | Detail view E | | | | |
| Revision | | | | | 2/3 |
| Scale | Design | ITOU | Draw | NGUYEN | Check SUZUKI |
| Date: 25 / Mar. / 2021 | | | | | |



NOTE

- 1.W is width dimension of the product.
- 2.The pitch is recommended hole position for anchor bolt mounting.
- 3.The holes will be used when mounting the anchors at 6 points.

| | | | | | | |
|-------------------------|---------------------------------------|----------|------------------|------|--------|--------|
| Enclosure specification | | Model | E Base (19) | | | |
| Type | - | Material | 3/3 | | | |
| Base | Steel t3.2 | Scale | A3 scale | | | |
| | Steel t4.5(anchor bolt mounting part) | Design | YAMAZAWA | Draw | NGUYEN | Check |
| Color | Standard / Light beige (5Y7/1) | | | | | SUZUKI |
| | | Date: | 25 / Mar. / 2021 | | | |