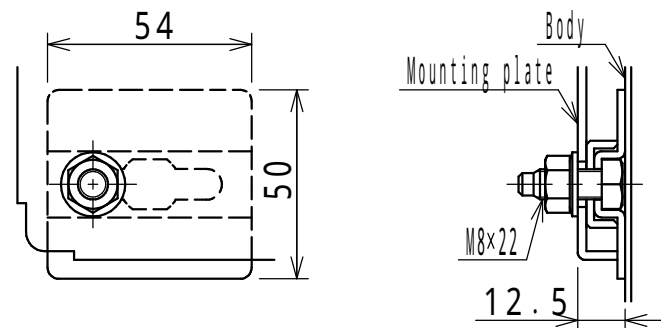


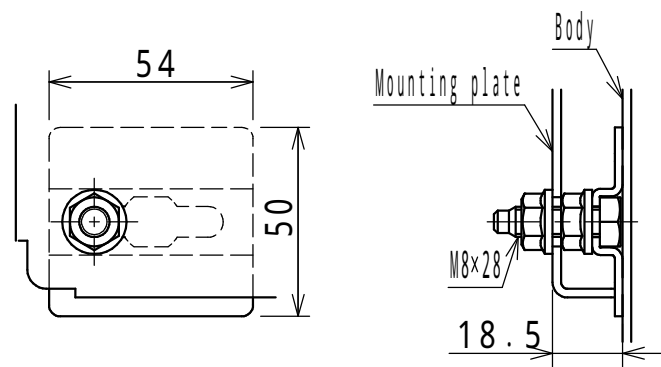
**NOTE**

1. The drawing holder is attached with screws.  
Storage dimensions: W235 x H250 x thickness 38
2. Angle of eyebolt may vary depending on each enclosure.

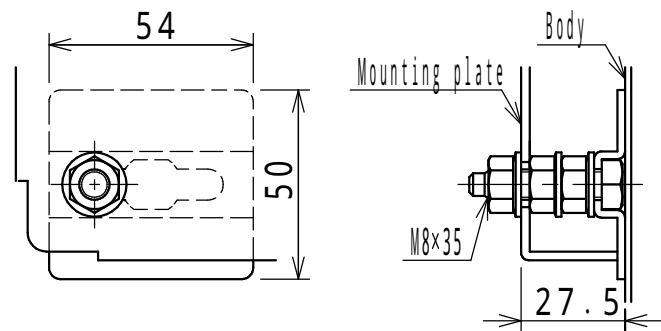
| Enclosure specification |                                      | Model               | E35-721A          |        |        |      |        |       |        |
|-------------------------|--------------------------------------|---------------------|-------------------|--------|--------|------|--------|-------|--------|
| Type                    | Indoor use, Floor standing, E35-721A | Drawing<br>A3 scale | 1/3               |        |        |      |        |       |        |
| Body                    | Steel t2.3                           |                     |                   |        |        |      |        |       |        |
| Door                    | Steel t2.3                           |                     |                   |        |        |      |        |       |        |
| Mounting plate          | Steel t2.3                           | Scale               | 1:25              | Design | SUZUKI | Draw | NGUYEN | Check | SUZUKI |
| Color                   | Standard / Light beige (5Y7/1)       | IP                  | IP5X (Category 2) |        |        |      |        |       |        |
| Weight                  | 133.0 kg                             | Date:               | 25 / Mar. / 2021  |        |        |      |        |       |        |



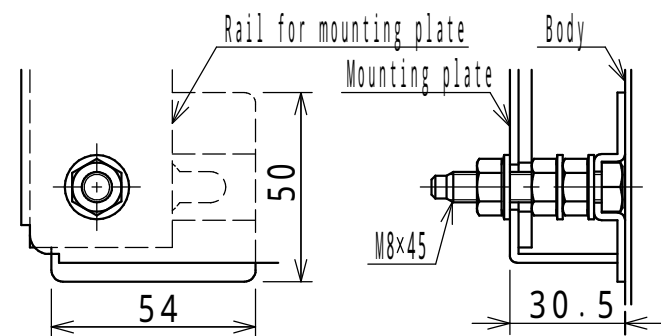
H ≤ 900mm



1000mm ≤ H ≤ 1900mm

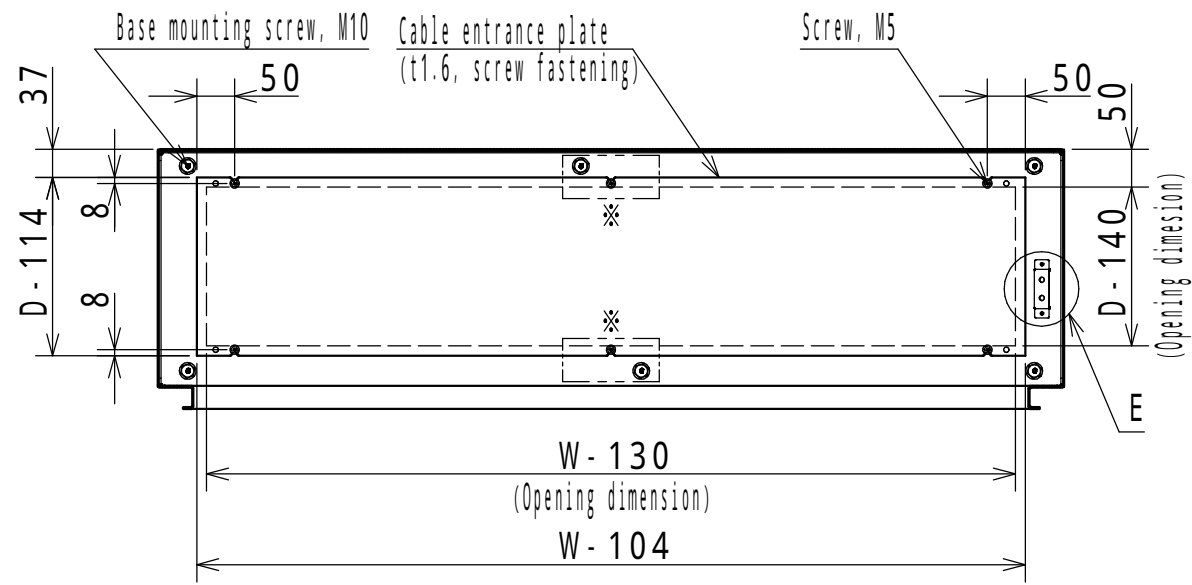


2000mm ≤ H



E25-1619A  
E35-1616A, 1618A, 1619A, 1620A, 1621A  
E40-1616A, 1618A, 1619A, 1620A, 1621A  
E50-1616A, 1618A, 1619A, 1620A, 1621A, 1623A

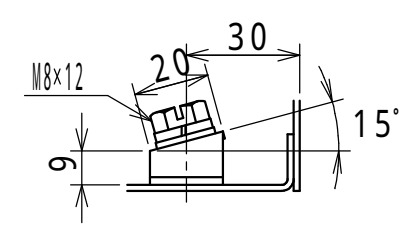
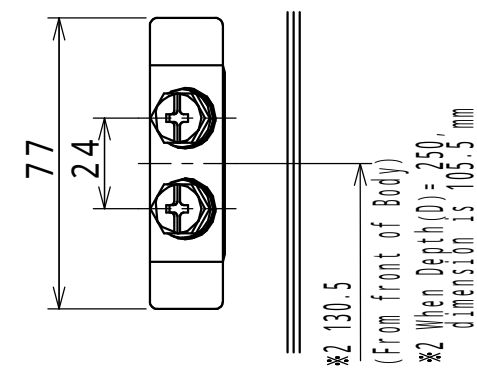
Detail C: Mounting plate installation(1:2)



W - 130  
(Opening dimension)  
W - 104

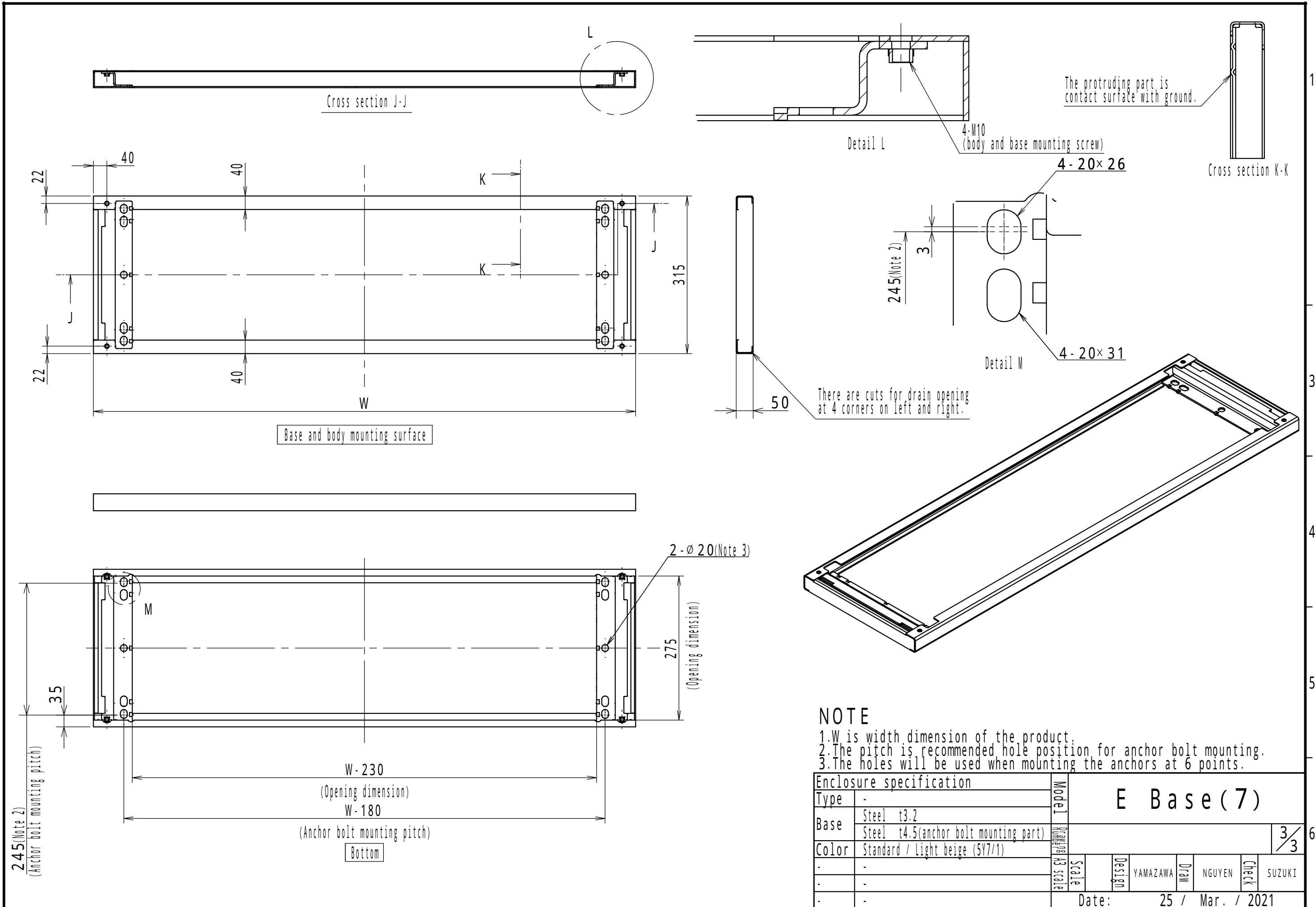
Cross section B-B

\* The holes are for W ≥ 1400mm only.  
W: Product Width  
H: Product Height  
D: Product Depth



Detail E: Earth terminal(1:2)

|                        |               |      |      |        |              |
|------------------------|---------------|------|------|--------|--------------|
| Model                  | Detail view E |      |      |        |              |
| Revision               |               |      |      |        | 2/3          |
| Scale                  | Design        | ITOU | Draw | NGUYEN | Check SUZUKI |
| Date: 25 / Mar. / 2021 |               |      |      |        |              |



|                         |                                       |          |                  |      |        |       |
|-------------------------|---------------------------------------|----------|------------------|------|--------|-------|
| Enclosure specification |                                       | Model    | E Base (7)       |      |        |       |
| Type                    | -                                     | Material | 3/3              |      |        |       |
| Base                    | Steel t3.2                            | Scale    | -                |      |        |       |
|                         | Steel t4.5(anchor bolt mounting part) | Design   | YAMAZAWA         | Draw | NGUYEN | Check |
| Color                   | Standard / Light beige (5Y7/1)        | Scale    | SUZUKI           |      |        |       |
|                         |                                       | Date:    | 25 / Mar. / 2021 |      |        |       |