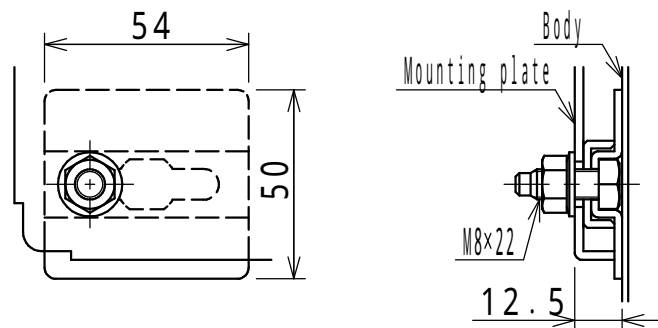


**NOTE**

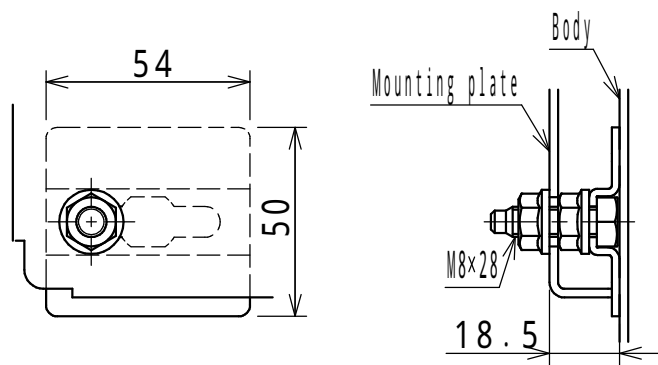
1. The drawing holder is attached with screws.  
Storage dimensions: W235 x H250 x thickness 38

2. Eyebolts are not assembled to body, they are attached as accessories.

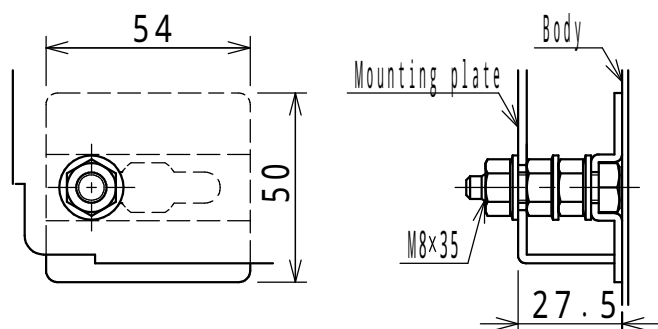
Enclosure specification		Model	E 35 - 79A							
Type	Indoor use, Floor standing, E35-79A	Drawing A3 scale	1/3							
Body	Steel t 2.3									
Door	Steel t 2.3									
Mounting plate	Steel t 2.3	Scale	1:15	Design	SUZUKI	Draw	NGUYEN	Check	SUZUKI	
Color	Standard / Light beige (5Y7/1)	Date:	25 / Mar. / 2021							
IP	IP5X (Category 2)									
Weight	65.0 kg									



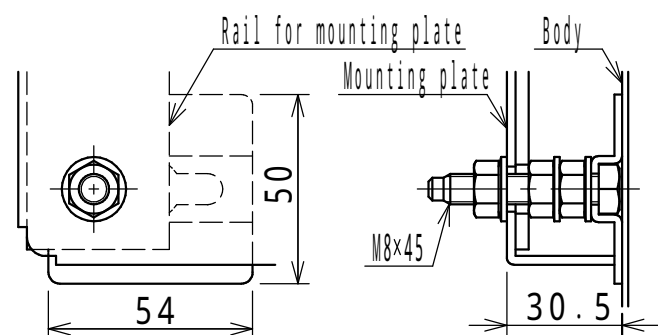
H ≤ 900mm



1000mm ≤ H ≤ 1900mm

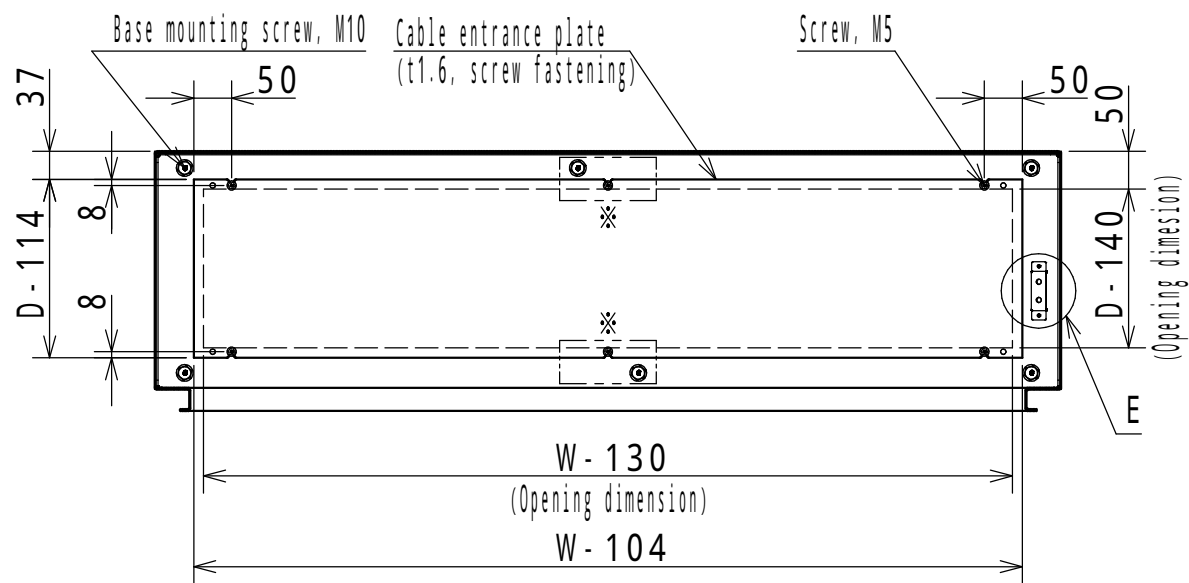


2000mm ≤ H



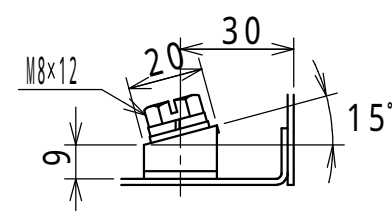
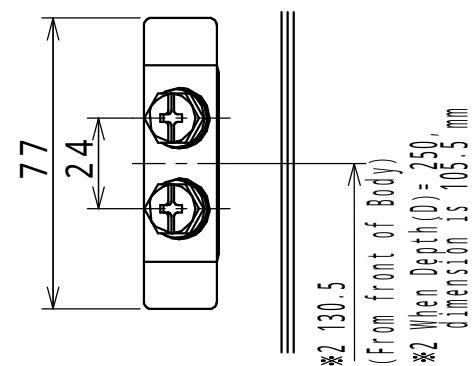
E25-1619A  
E35-1616A, 1618A, 1619A, 1620A, 1621A  
E40-1616A, 1618A, 1619A, 1620A, 1621A  
E50-1616A, 1618A, 1619A, 1620A, 1621A, 1623A

Detail C: Mounting plate installation(1:2)



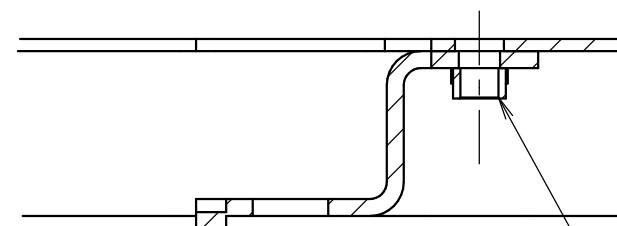
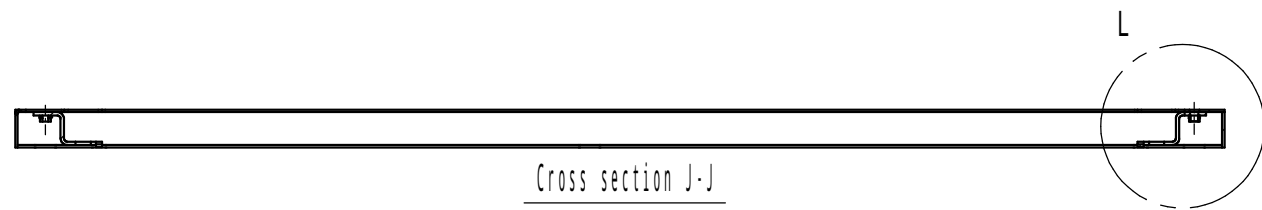
Cross section B-B

\* The holes are for W ≥ 1400mm only.  
W: Product Width  
H: Product Height  
D: Product Depth



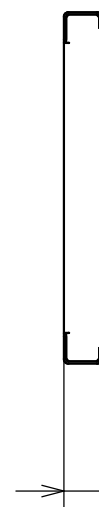
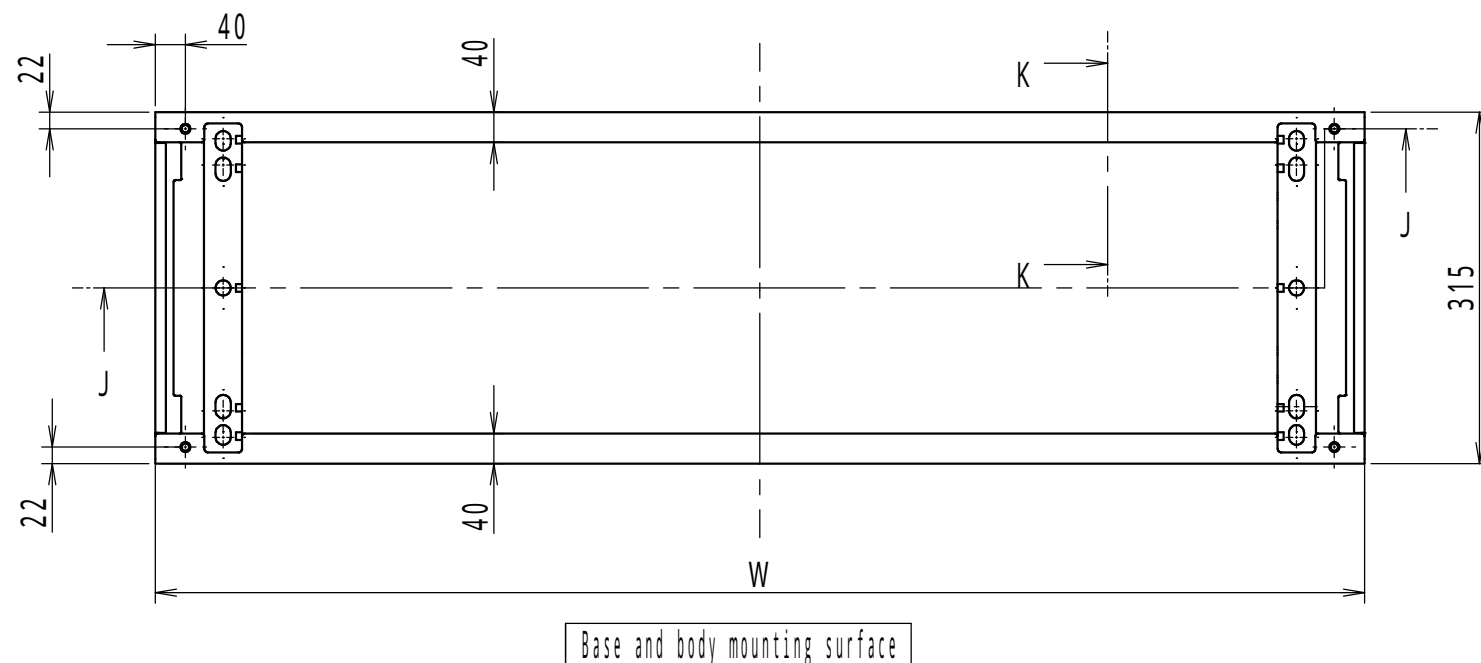
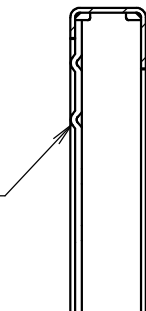
Detail E: Earth terminal(1:2)

Model	Detail view E				
Revision					2/3
Scale	Design	ITOU	Draw	NGUYEN	Check SUZUKI
Date: 25 / Mar. / 2021					



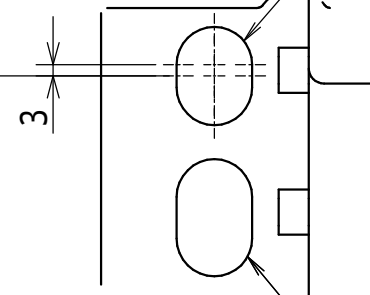
The protruding part is contact surface with ground.

4-M10  
(body and base mounting screw)



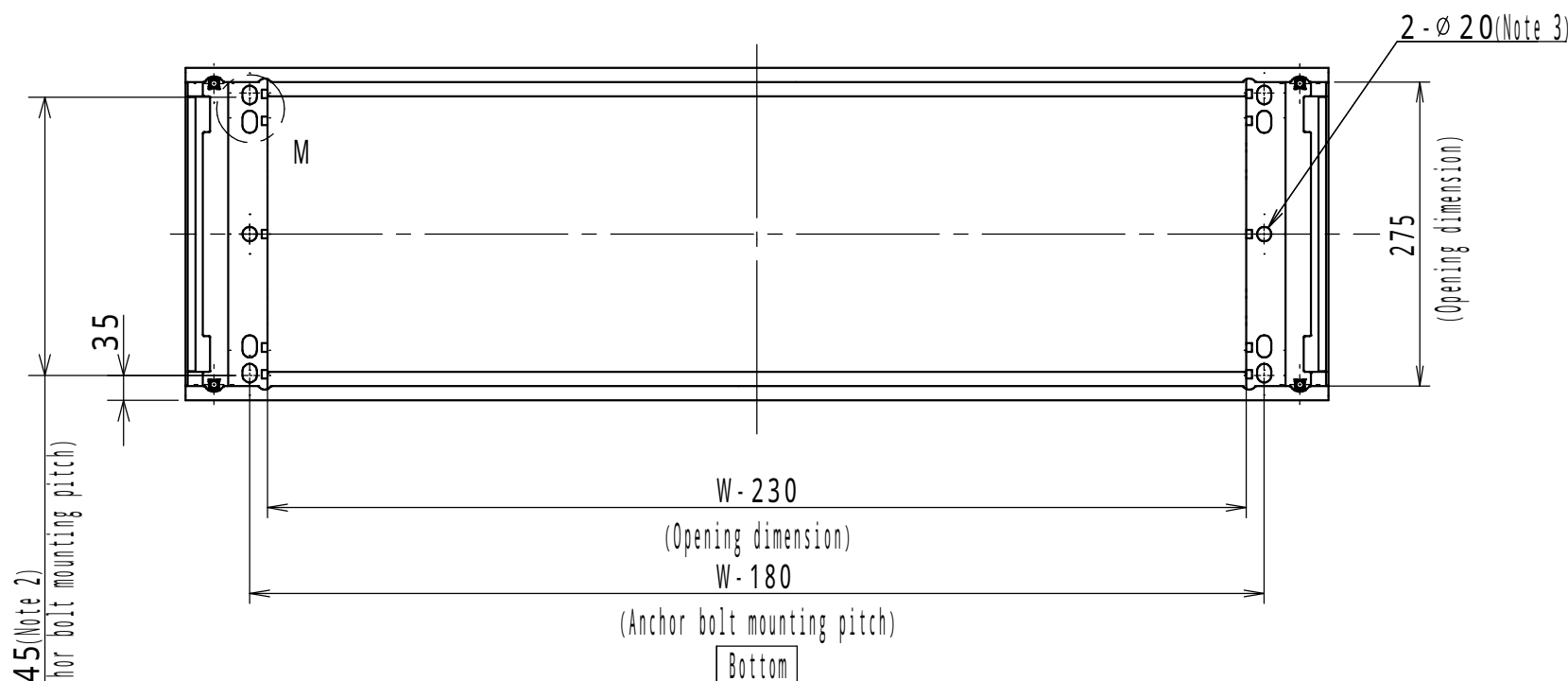
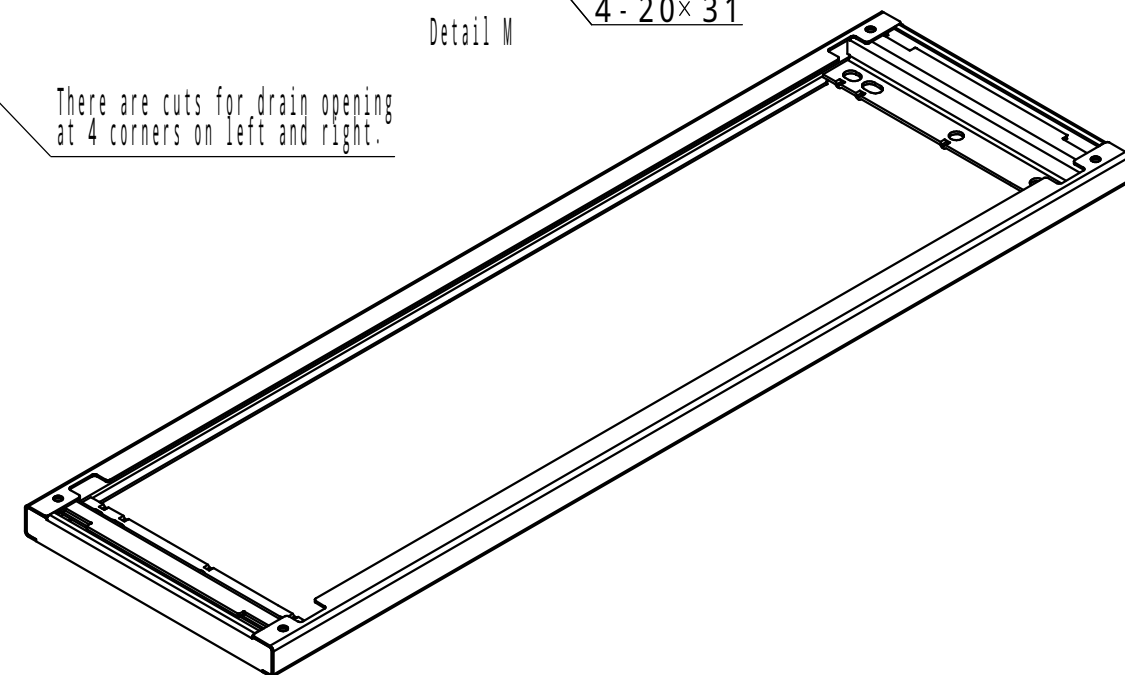
There are cuts for drain opening at 4 corners on left and right.

245(Note 2)



4-20×26

4-20×31



NOTE

- 1.W is width dimension of the product.
- 2.The pitch is recommended hole position for anchor bolt mounting.
- 3.The holes will be used when mounting the anchors at 6 points.

Enclosure specification		Model	E Base (7)			
Type	-	Material	3/3			
Base	Steel t3.2	Scale	A3 scale			
	Steel t4.5(anchor bolt mounting part)	Design	YAMAZAWA	Draw	NGUYEN	Check
Color	Standard / Light beige (5Y7/1)	Scale	SUZUKI			
		Date:	25 / Mar. / 2021			