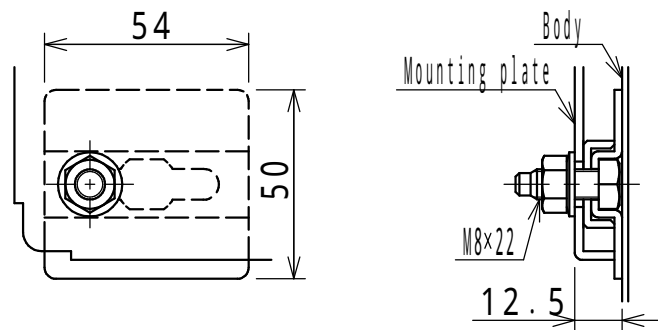


There is a bend (vertical direction) in center of rear side as shown in above drawing, so be careful when installing equipment.
Cross section F-F

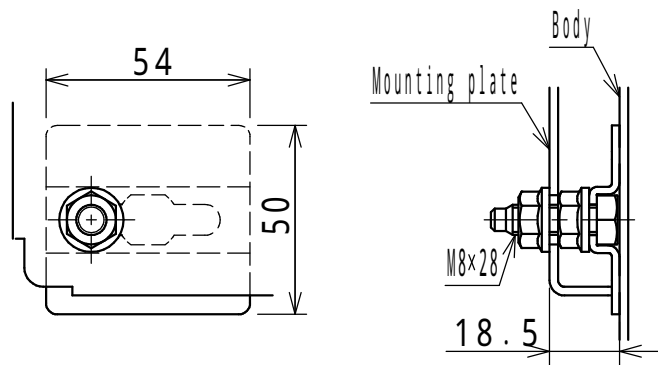
NOTE

- The drawing holder is attached with screws.
Storage dimensions: W235 x H250 x thickness 38
- Angle of eyebolt may vary depending on each enclosure.

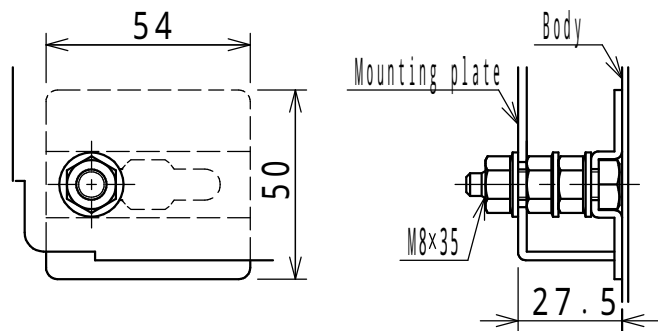
| Enclosure specification | | Model | E35-919A | | | | | | |
|-------------------------|--------------------------------------|------------------------|----------|--------|-------|------|--------|-------|--------|
| Type | Indoor use, Floor standing, E35-919A | Drawing A3 scale | 1/3 | | | | | | |
| Body | Steel t2.3 | | | | | | | | |
| Door | Steel t2.3 | | | | | | | | |
| Mounting plate | Steel t2.3 | Scale | 1:20 | Design | INOUE | Draw | NGUYEN | Check | SUZUKI |
| Color | Standard / Light beige (5Y7/1) | | | | | | | | |
| IP | IP5X (Category 2) | | | | | | | | |
| Weight | 146.0kg | Date: 25 / Mar. / 2021 | | | | | | | |



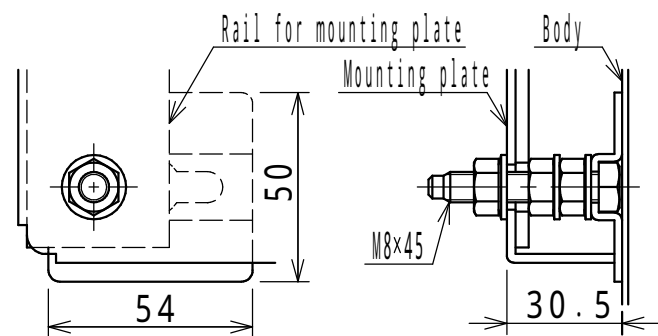
H ≤ 900mm



1000mm ≤ H ≤ 1900mm

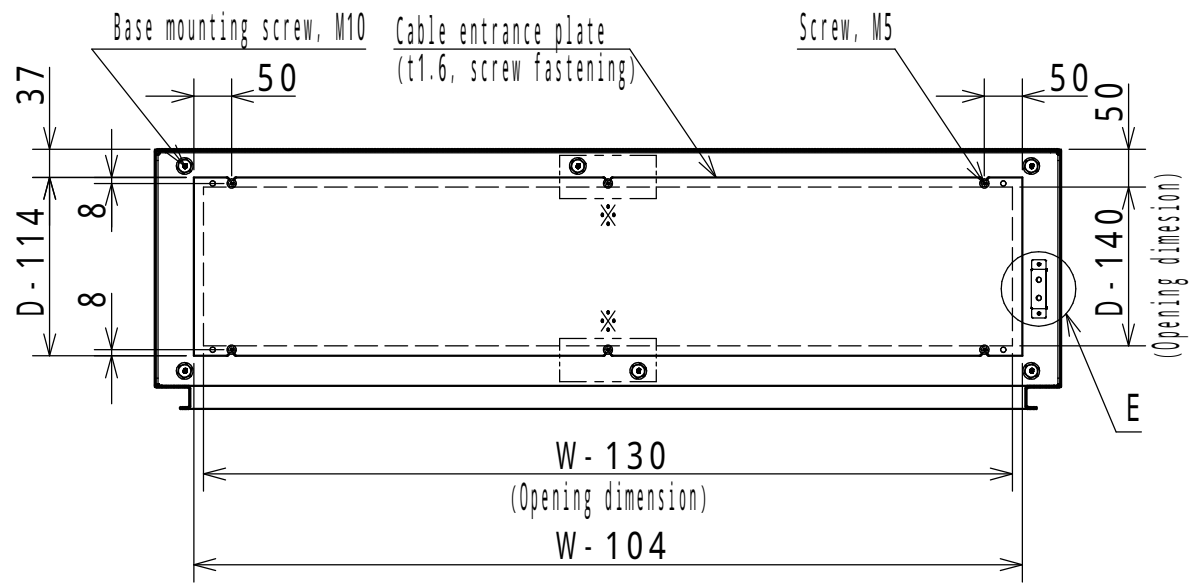


2000mm ≤ H



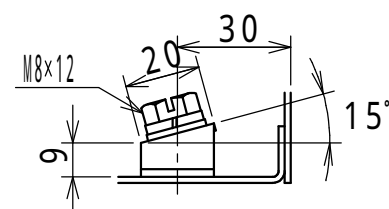
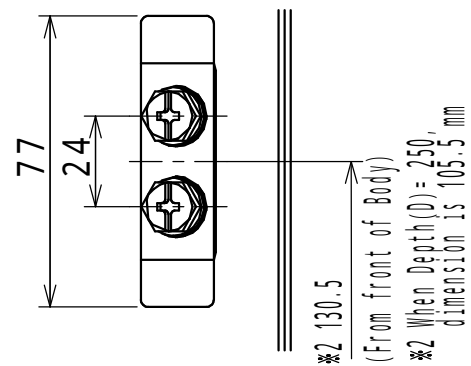
E25-1619A
E35-1616A, 1618A, 1619A, 1620A, 1621A
E40-1616A, 1618A, 1619A, 1620A, 1621A
E50-1616A, 1618A, 1619A, 1620A, 1621A, 1623A

Detail C: Mounting plate installation(1:2)



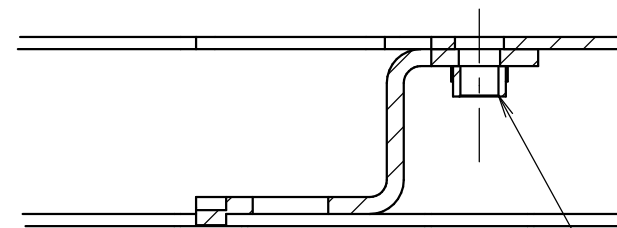
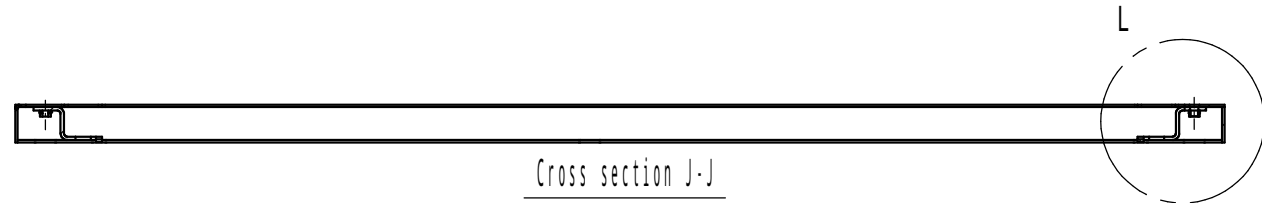
Cross section B-B

* The holes are for W ≥ 1400mm only.
W: Product Width
H: Product Height
D: Product Depth



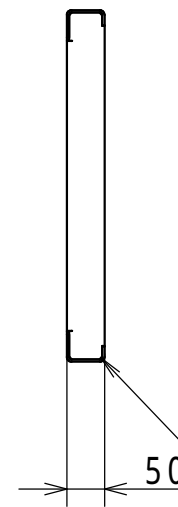
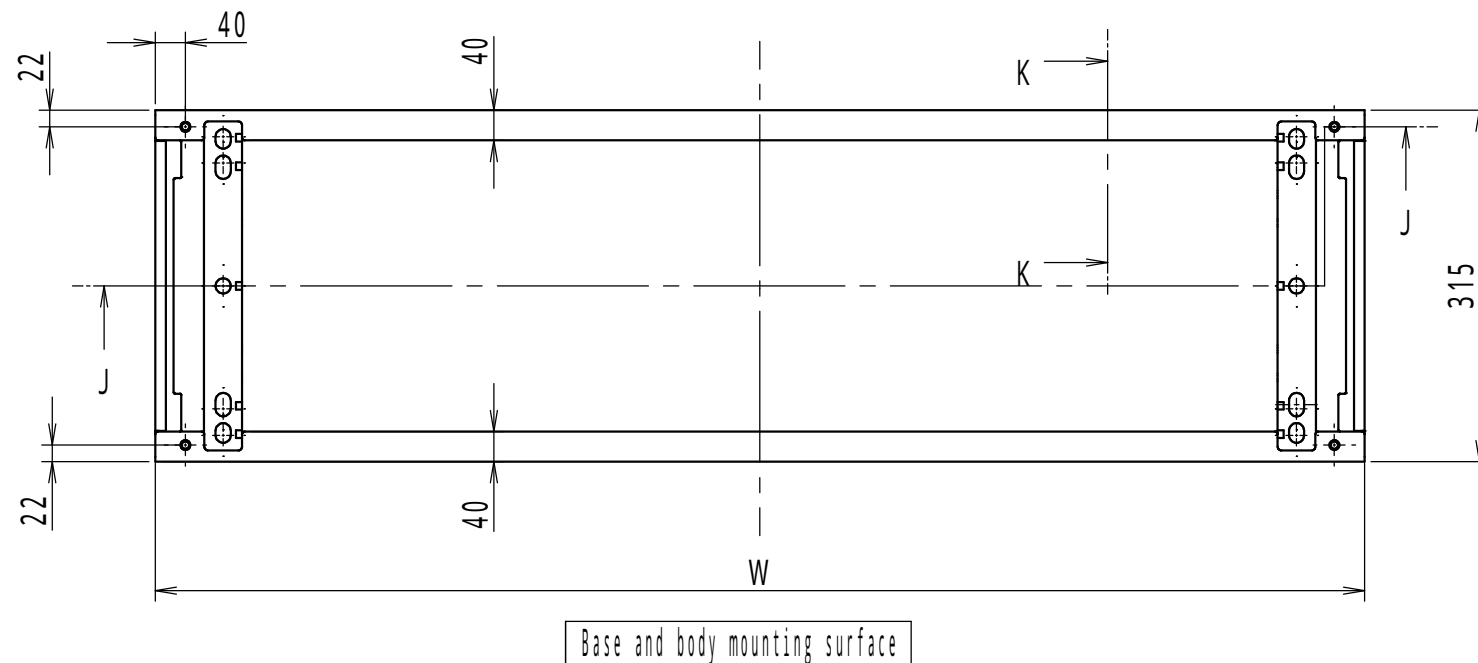
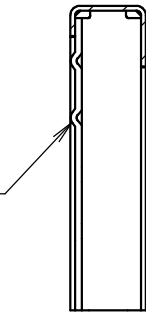
Detail E: Earth terminal(1:2)

| | | | | | |
|------------------------|---------------|------|------|--------|--------------|
| Model | Detail view E | | | | |
| Revision | | | | | 2/3 |
| Scale | Design | ITOU | Draw | NGUYEN | Check SUZUKI |
| Date: 25 / Mar. / 2021 | | | | | |



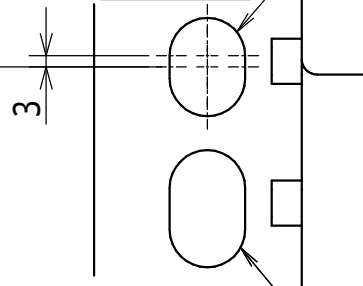
The protruding part is contact surface with ground.

4-M10
(body and base mounting screw)



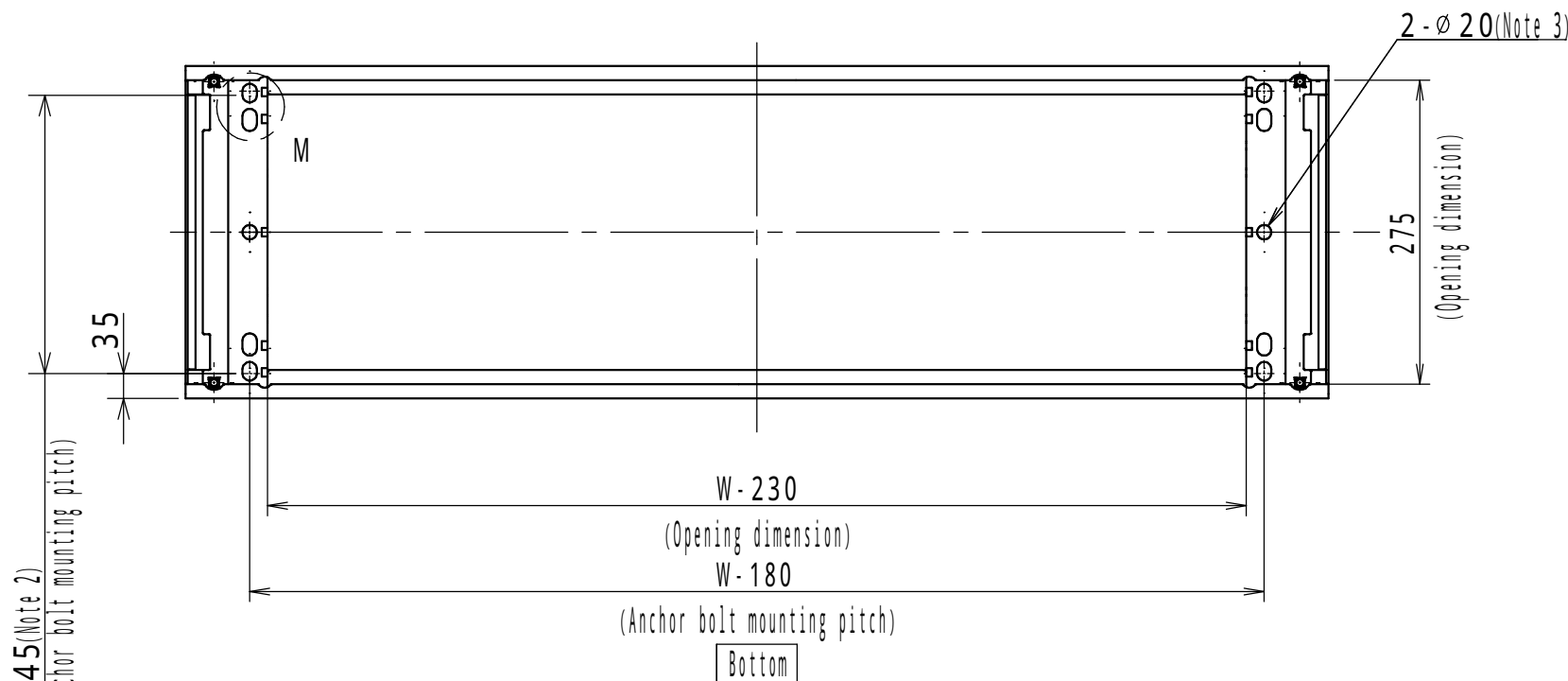
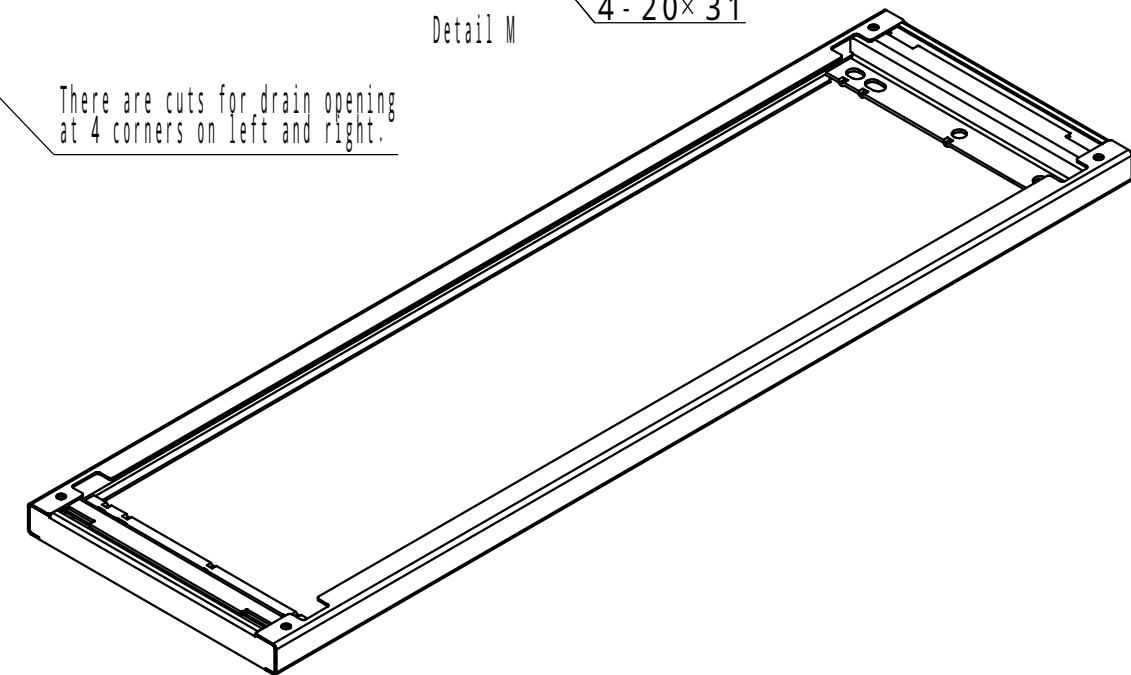
There are cuts for drain opening at 4 corners on left and right.

245(Note 2)



4-20×26

4-20×31



NOTE

- 1.W is width dimension of the product.
- 2.The pitch is recommended hole position for anchor bolt mounting.
- 3.The holes will be used when mounting the anchors at 6 points.

| | | | | | | |
|-------------------------|---------------------------------------|----------|------------------|------|--------|--------|
| Enclosure specification | | Model | E Base (7) | | | |
| Type | - | Material | 3/3 | | | |
| Base | Steel t3.2 | Scale | A3 scale | | | |
| | Steel t4.5(anchor bolt mounting part) | Design | YAMAZAWA | Draw | NGUYEN | Check |
| Color | Standard / Light beige (5Y7/1) | Date | 25 / Mar. / 2021 | | | |
| | | | | | | SUZUKI |