

There is a bend (vertical direction) in center of rear side as shown in above drawing, so be careful when installing equipment.
Cross section F-F

NOTE

- The drawing holder is attached with screws.
Storage dimensions: W235 x H250 x thickness 38
- Angle of eyebolt may vary depending on each enclosure.

Enclosure specification		Model	E40-1021A						
Type	Indoor use, Floor standing, E40-1021A	Drawing plate	1/3						
Body	Steel t2.3								
Door	Steel t2.3								
Mounting plate	Steel t2.3	Scale	1:25	Design	INOUE	Draw	NGUYEN	Check	SUZUKI
Color	Standard / Light beige (5Y7/1)								
IP	IP4X								
Weight	190.0 kg	Date:		25 / Mar. / 2021					



H ≤ 900mm



1000mm ≤ H ≤ 1900mm



2000mm ≤ H



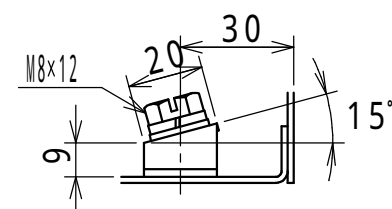
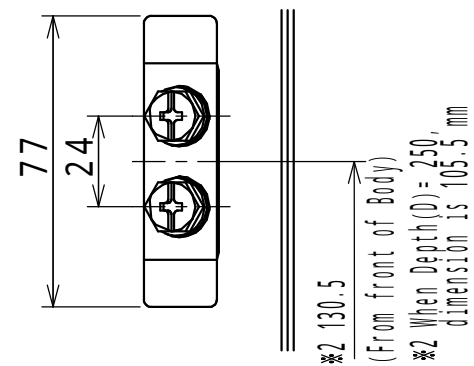
E25-1619A
E35-1616A, 1618A, 1619A, 1620A, 1621A
E40-1616A, 1618A, 1619A, 1620A, 1621A
E50-1616A, 1618A, 1619A, 1620A, 1621A, 1623A

Detail C: Mounting plate installation(1:2)



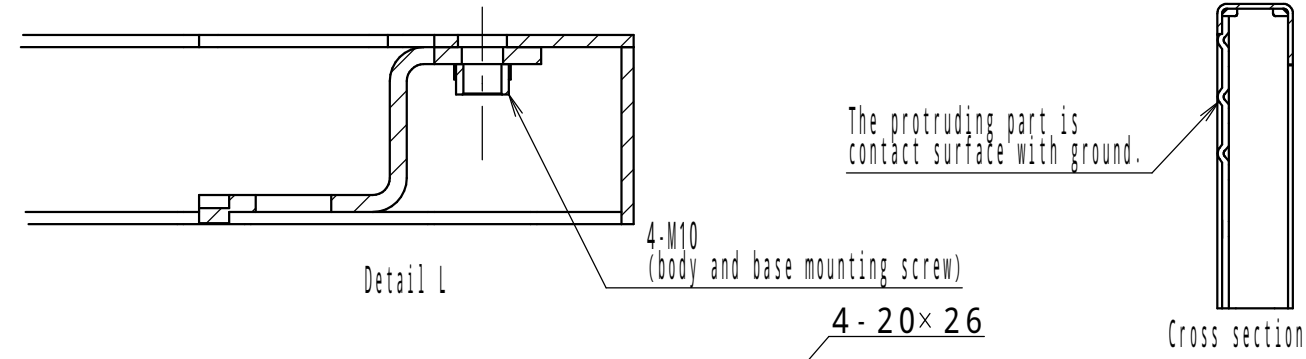
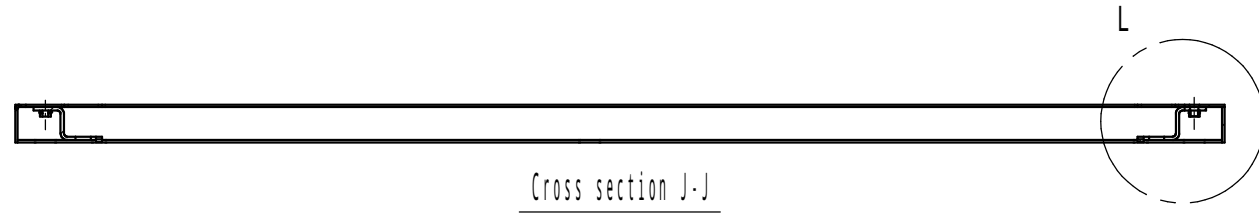
Cross section B-B

* [] The holes are for W ≥ 1400mm only.
W: Product Width
H: Product Height
D: Product Depth

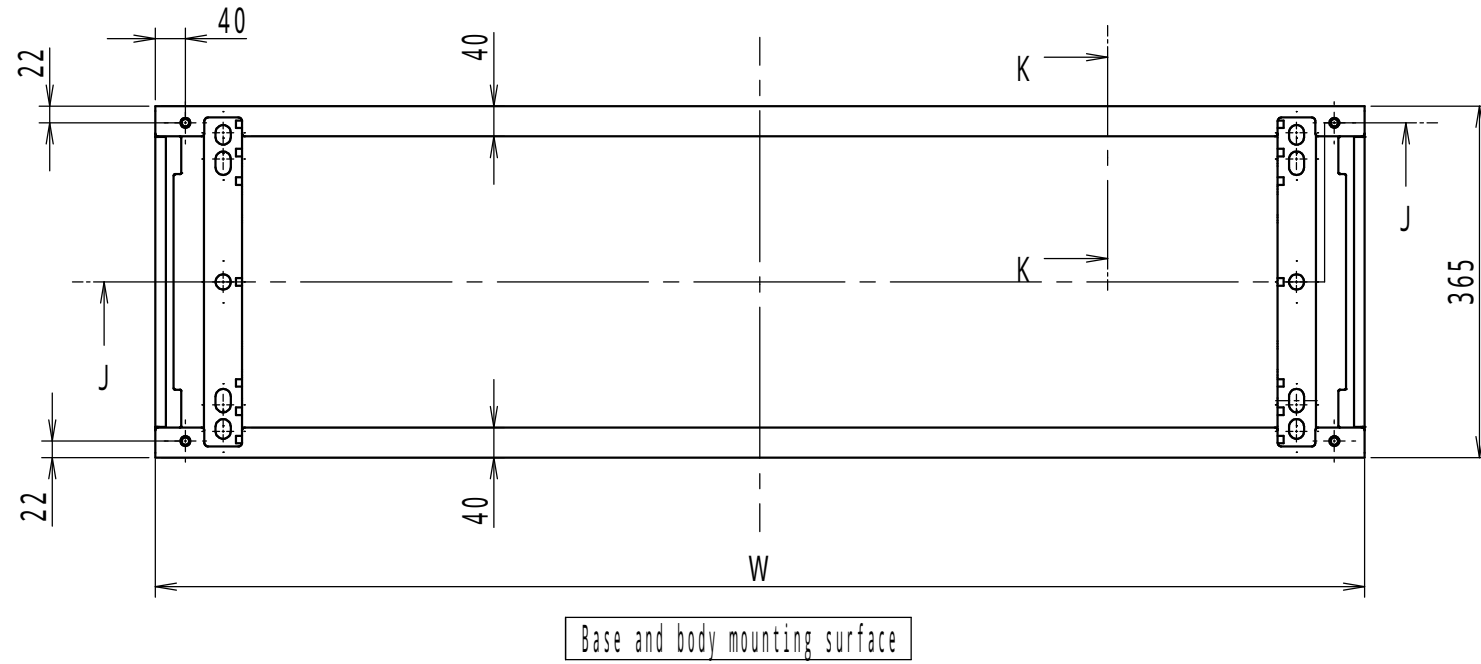


Detail E: Earth terminal(1:2)

Model	Detail view E				
Revision					2/3
Scale	Design	ITOU	Draw	NGUYEN	Check SUZUKI
Date: 25 / Mar. / 2021					



Cross section K-K



4-M10
(body and base mounting screw)

295 (Note 2)

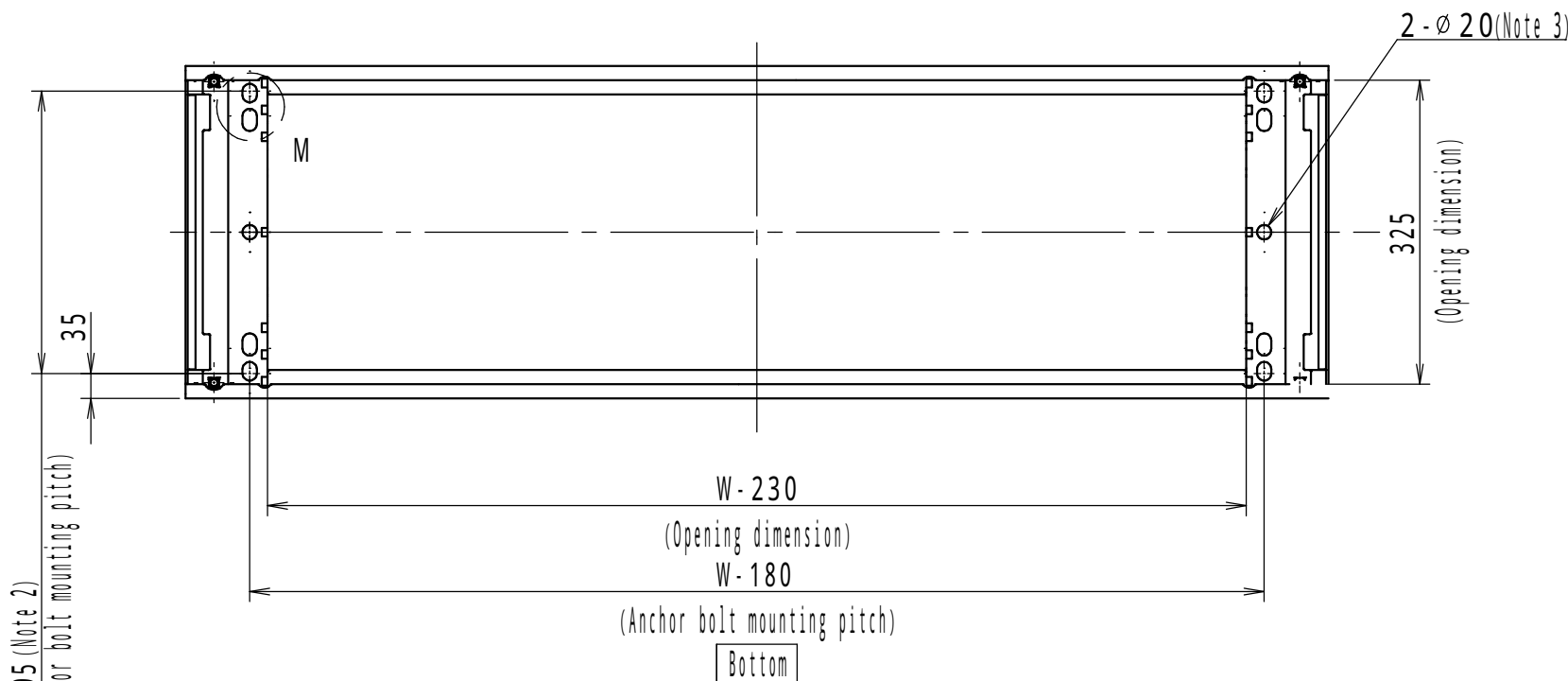
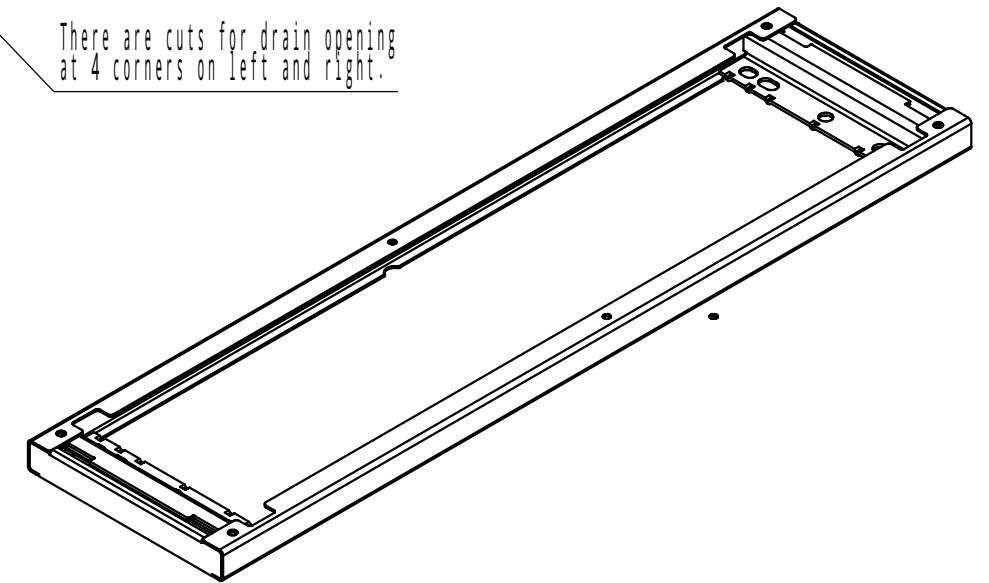
There are cuts for drain opening at 4 corners on left and right.

Detail M

4- 20x 26

4- 20x 31

50



NOTE

- 1. W is width dimension of the product.
- 2. The pitch is recommended hole position for anchor bolt mounting.
- 3. The holes will be used when mounting the anchors at 6 points.

Enclosure specification		Model			
Type	-	E Base (9)			
Base	Steel t3.2 Steel t4.5(anchor bolt mounting part)	Material	SUS304		3/3
Color	Standard / Light beige (5Y7/1)	Finish	AZ scale		
		Scale	Design	YAMAZAWA	Draw
				NGUYEN	Check
				SUZUKI	
		Date:	25 / Mar. / 2021		