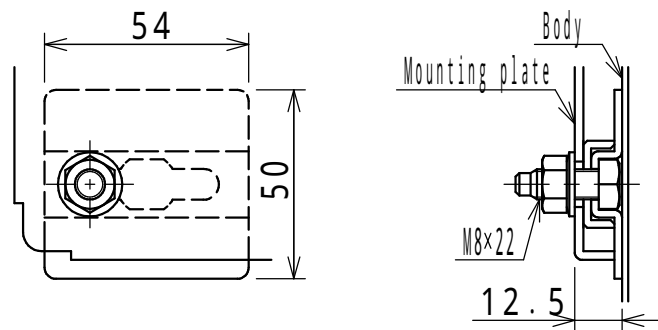


**NOTE**

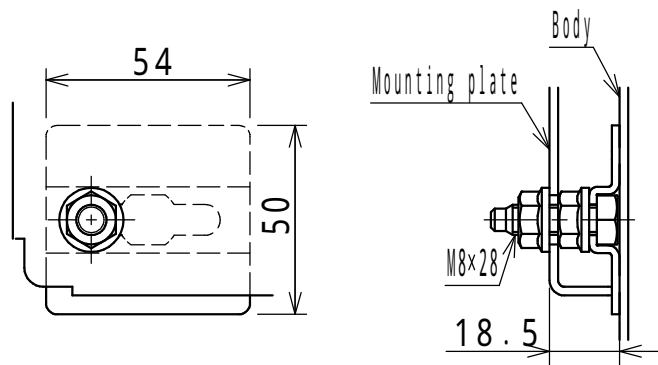
1. The drawing holder is attached with screws.  
Storage dimensions: W235 x H250 x thickness 38
2. Angle of eyebolt may vary depending on each enclosure.

There is a bend (vertical direction) in center of rear side as shown in above drawing, so be careful when installing equipment.  
Cross section F-F

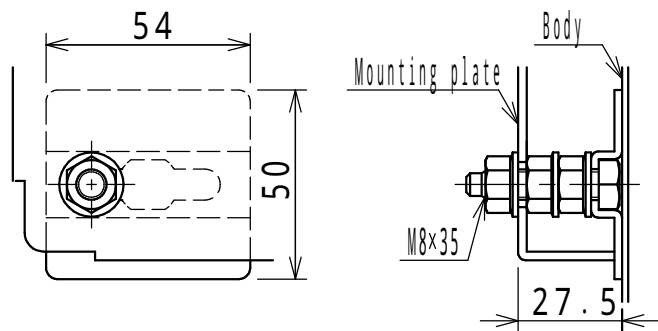
Enclosure specification		Model	E40-1023A								
Type	Indoor use, Floor standing, E40-1023A	Drawing A3 scale	Scale	1:25	Design	INOUE	Draw	NGUYEN	Check	SUZUKI	
Body	Steel										t2.3
Door	Steel										t2.3
Mounting plate	Steel	t2.3									
Color	Standard / Light beige (5Y7/1)										
IP	IP4X										
Weight	206.0 kg										
										Date: 25 / Mar. / 2021	



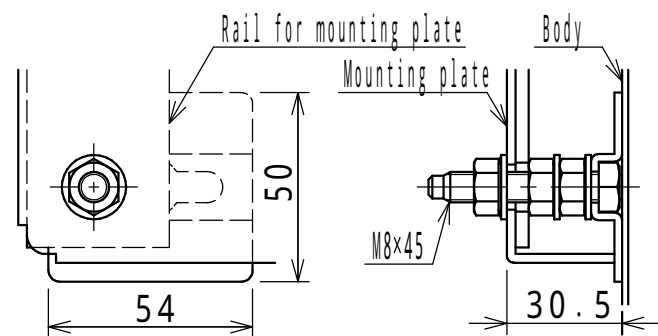
H ≤ 900mm



1000mm ≤ H ≤ 1900mm

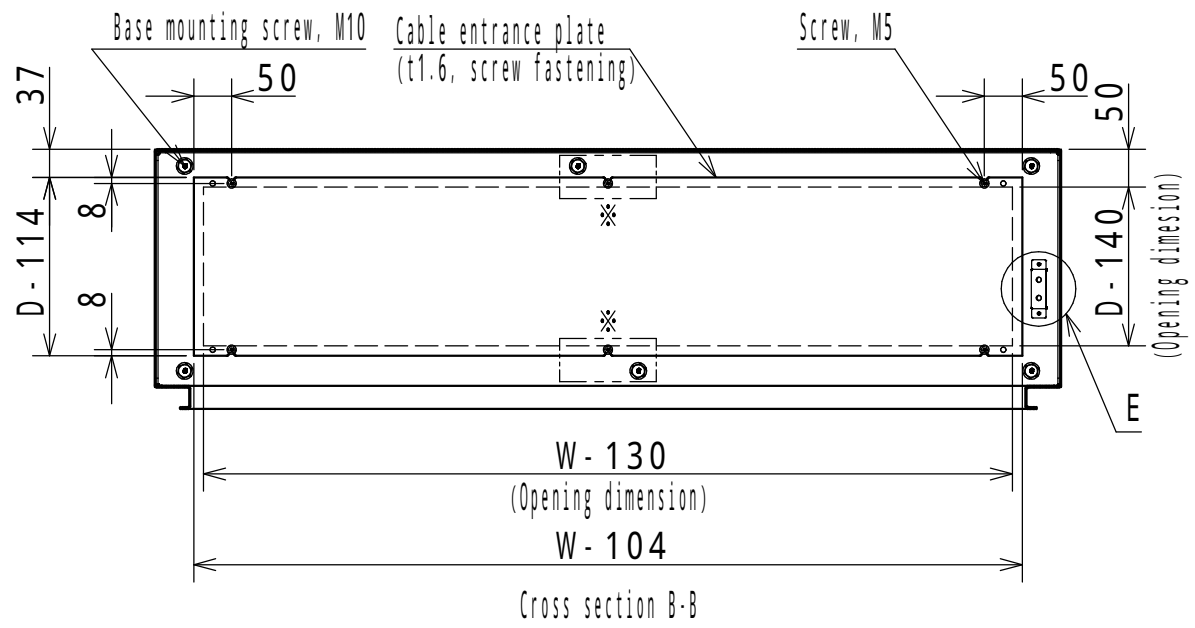


2000mm ≤ H

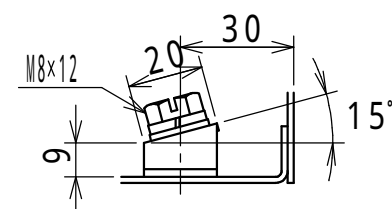
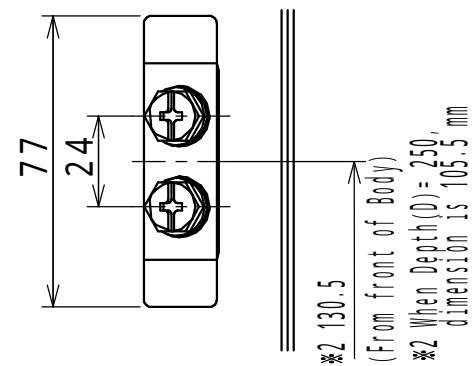


E25-1619A  
E35-1616A, 1618A, 1619A, 1620A, 1621A  
E40-1616A, 1618A, 1619A, 1620A, 1621A  
E50-1616A, 1618A, 1619A, 1620A, 1621A, 1623A

Detail C: Mounting plate installation(1:2)

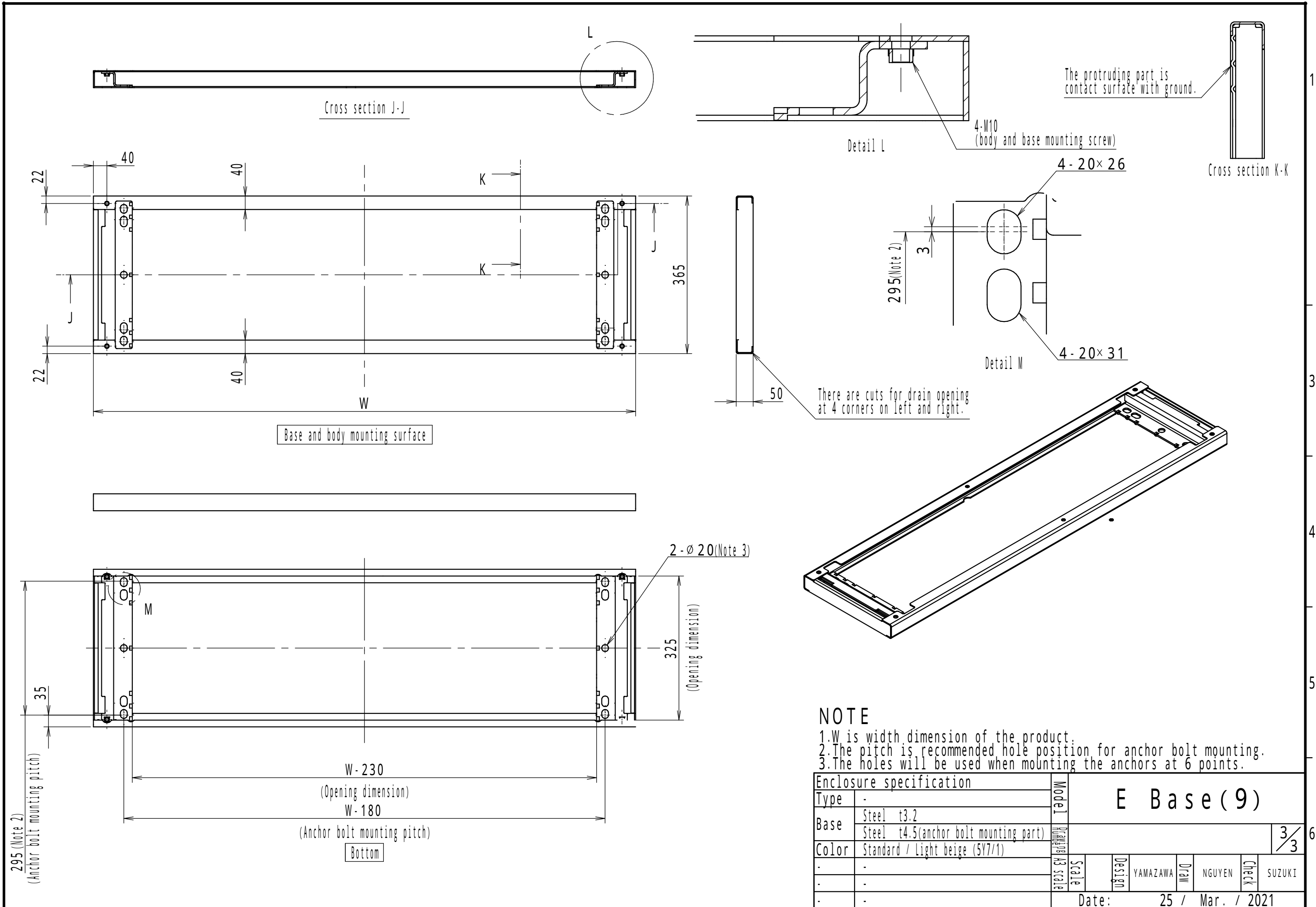


\* [ ] The holes are for W ≥ 1400mm only.  
W: Product Width  
H: Product Height  
D: Product Depth



Detail E: Earth terminal(1:2)

Model	Detail view E				
Revision					2/3
Scale	Design	ITOU	Draw	NGUYEN	Check SUZUKI
Date: 25 / Mar. / 2021					



**NOTE**  
 1.W is width dimension of the product.  
 2.The pitch is recommended hole position for anchor bolt mounting.  
 3.The holes will be used when mounting the anchors at 6 points.

Enclosure specification		Model	E Base (9)						
Type	-	Material	3/3						
Base	Steel t3.2	Color	Standard / Light beige (5Y7/1)						
	Steel t4.5(anchor bolt mounting part)	Scale	A3 scale	Design	YAMAZAWA	Draw	NGUYEN	Check	SUZUKI
		Date:	25 / Mar. / 2021						