

There is a bend (vertical direction) in center of rear side as shown in above drawing, so be careful when installing equipment.
 Cross section F-F

NOTE
 1. The drawing holder is attached with screws.
 Storage dimensions: W235 x H250 x thickness 38
 2. Angle of eyebolt may vary depending on each enclosure.

Enclosure specification		Model	E 40 - 1218A						
Type	Indoor use, Floor standing, E40-1218A	Drawing A3 scale	1/3						
Body	Steel t 2.3								
Door	Steel t 2.3								
Mounting plate	Steel t 2.3	Scale	1:20	Design	INOUE	Draw	NGUYEN	Check	SUZUKI
Color	Standard / Light beige (5Y7/1)								
IP	IP4X								
Weight	191.0 kg	Date: 25 / Mar. / 2021							



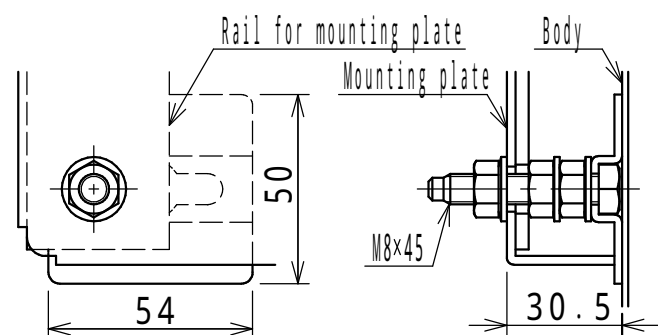
H ≤ 900mm



1000mm ≤ H ≤ 1900mm



2000mm ≤ H



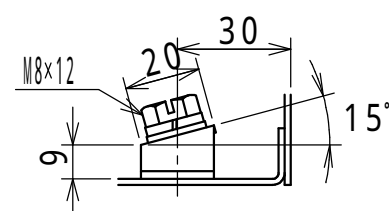
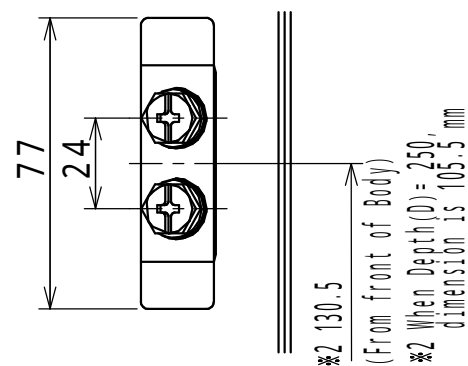
E25-1619A
E35-1616A, 1618A, 1619A, 1620A, 1621A
E40-1616A, 1618A, 1619A, 1620A, 1621A
E50-1616A, 1618A, 1619A, 1620A, 1621A, 1623A

Detail C: Mounting plate installation(1:2)



Cross section B-B

* The holes are for W ≥ 1400mm only.
W: Product Width
H: Product Height
D: Product Depth



Detail E: Earth terminal(1:2)

Model	Detail view E				
Revision					2/3
Scale	Design	ITOU	Draw	NGUYEN	Check SUZUKI
Date: 25 / Mar. / 2021					

