

NOTE

- The drawing holder is attached with screws.
Storage dimensions: W235 x H250 x thickness 38
- Angle of eyebolt may vary depending on each enclosure.

There is a bend (vertical direction) in center of rear side as shown in above drawing, so be careful when installing equipment.
Cross section F-F

Enclosure specification		Model	E40-1219A								
Type	Indoor use, Floor standing, E40-1219A	Drawing A3 scale	Scale	1:20	Design	INOUE	Draw	NGUYEN	Check	SUZUKI	
Body	Steel										t2.3
Door	Steel										t2.3
Mounting plate	Steel	t2.3									
Color	Standard / Light beige (5Y7/1)										
IP	IP4X										
Weight	199.0kg										
										Date: 25 / Mar. / 2021	



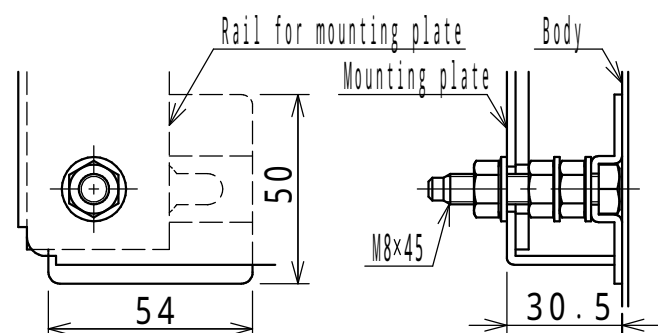
H ≤ 900mm



1000mm ≤ H ≤ 1900mm

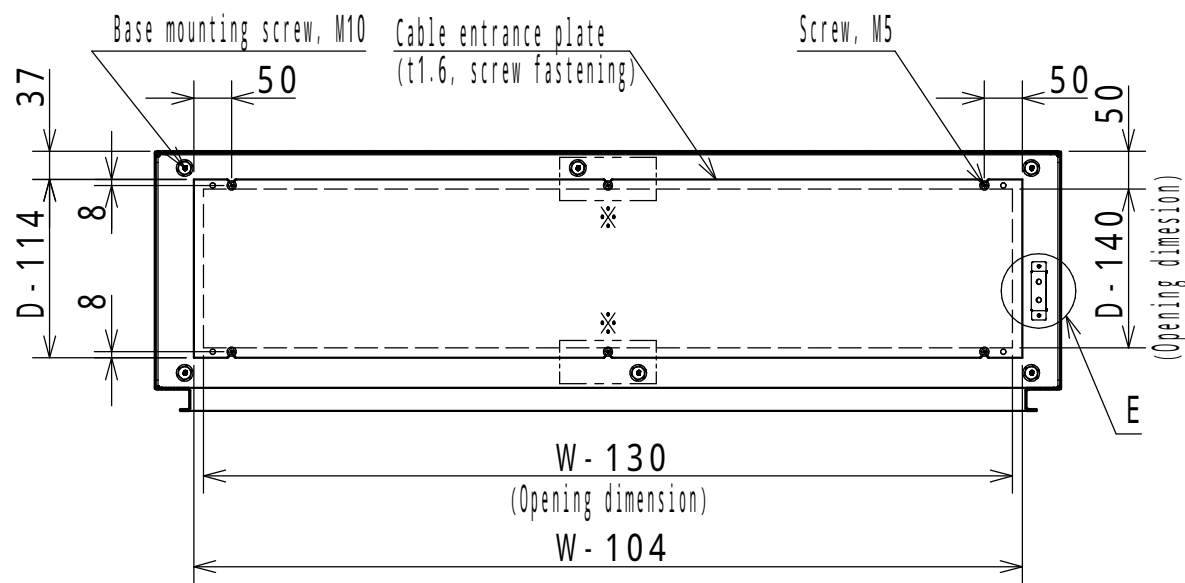


2000mm ≤ H



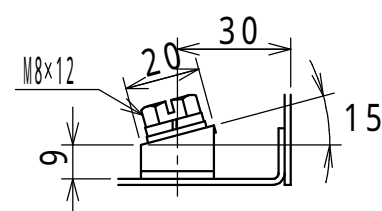
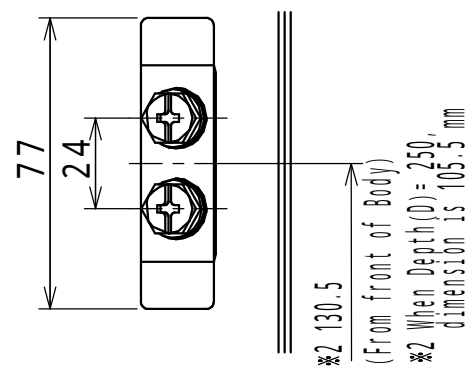
E25-1619A
E35-1616A, 1618A, 1619A, 1620A, 1621A
E40-1616A, 1618A, 1619A, 1620A, 1621A
E50-1616A, 1618A, 1619A, 1620A, 1621A, 1623A

Detail C: Mounting plate installation(1:2)



Cross section B-B

* The holes are for W ≥ 1400mm only.
W: Product Width
H: Product Height
D: Product Depth



Detail E: Earth terminal(1:2)

Model	Detail view E				
Revision					2/3
Scale	Design	ITOU	Draw	NGUYEN	Check SUZUKI
Date: 25 / Mar. / 2021					

