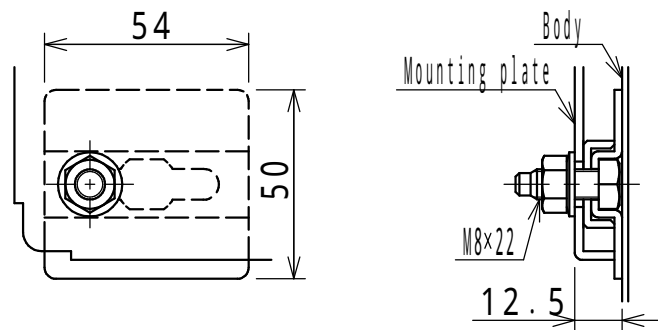


**NOTE**

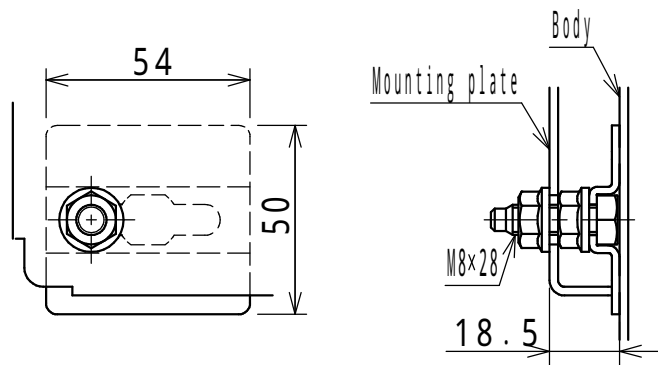
- The drawing holder is attached with screws.  
Storage dimensions: W235 x H250 x thickness 38
- Angle of eyebolt may vary depending on each enclosure.

There is a bend (vertical direction) in center of rear side as shown in above drawing, so be careful when installing equipment.  
Cross section F-F

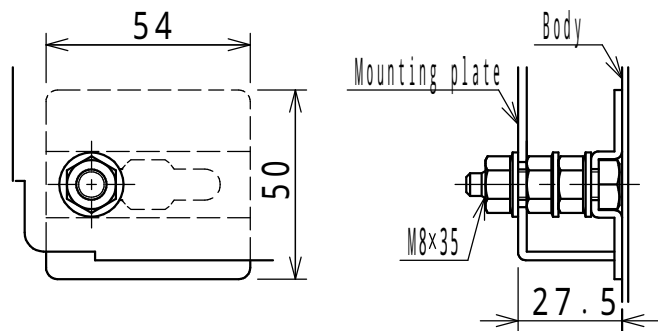
Enclosure specification		Model	E 40 - 1220A							
Type	Indoor use, Floor standing, E40-1220A	Drawing	1/3							
Body	Steel t 2.3									
Door	Steel t 2.3									
Mounting plate	Steel t 2.3	A3 scale	Scale	1:25	Design	INOUE	Draw	NGUYEN	Check	SUZUKI
Color	Standard / Light beige (5Y7/1)									
IP	IP4X									
Weight	207.0 kg	Date:		25 / Mar. / 2021						



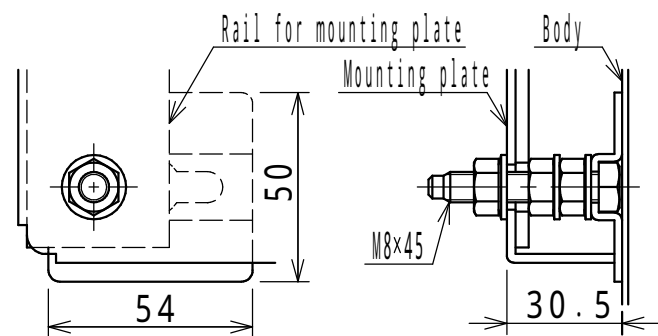
H ≤ 900mm



1000mm ≤ H ≤ 1900mm

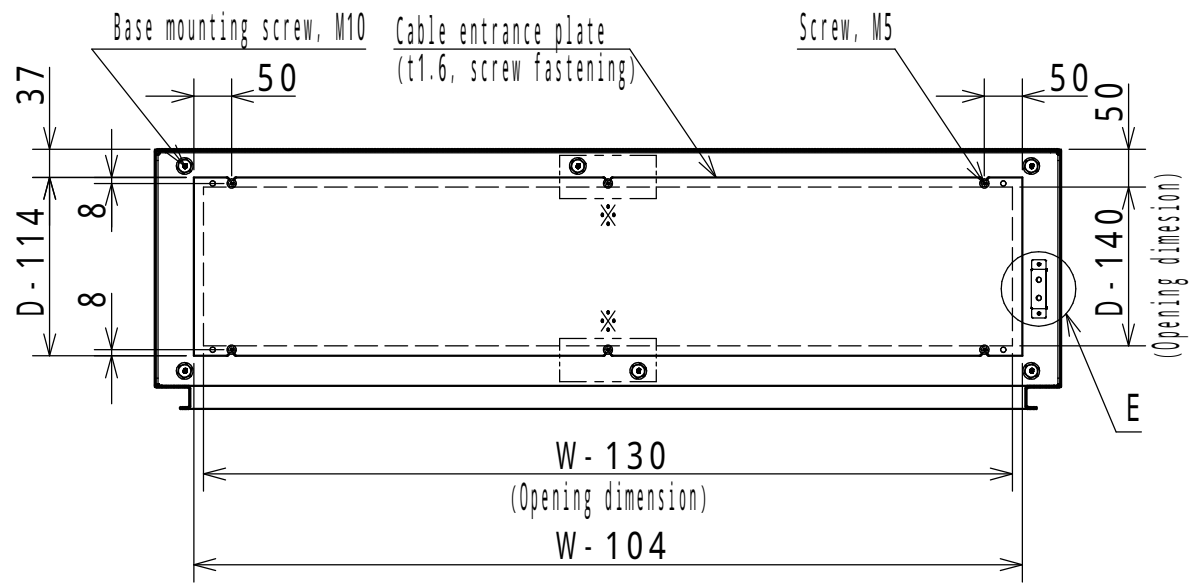


2000mm ≤ H



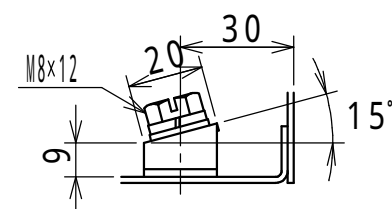
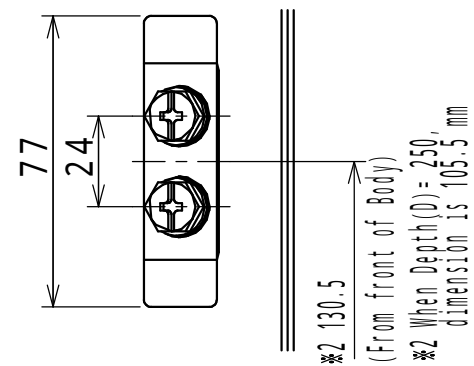
E25-1619A  
E35-1616A, 1618A, 1619A, 1620A, 1621A  
E40-1616A, 1618A, 1619A, 1620A, 1621A  
E50-1616A, 1618A, 1619A, 1620A, 1621A, 1623A

Detail C: Mounting plate installation(1:2)



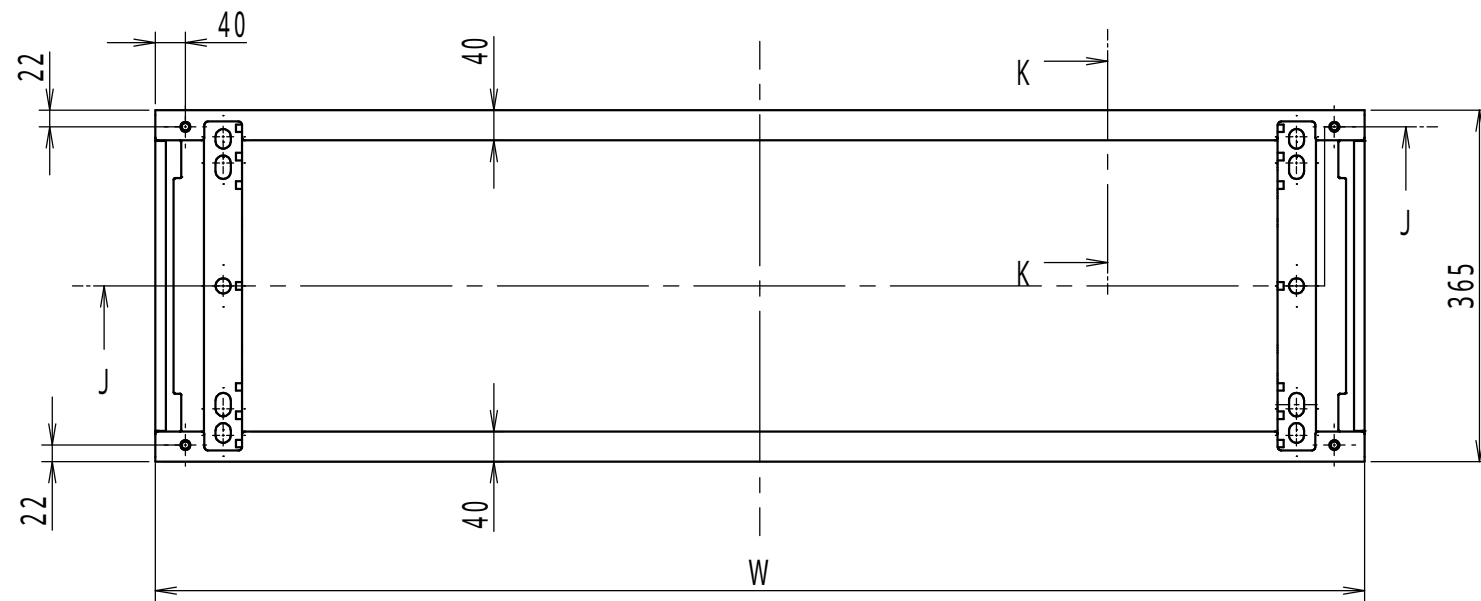
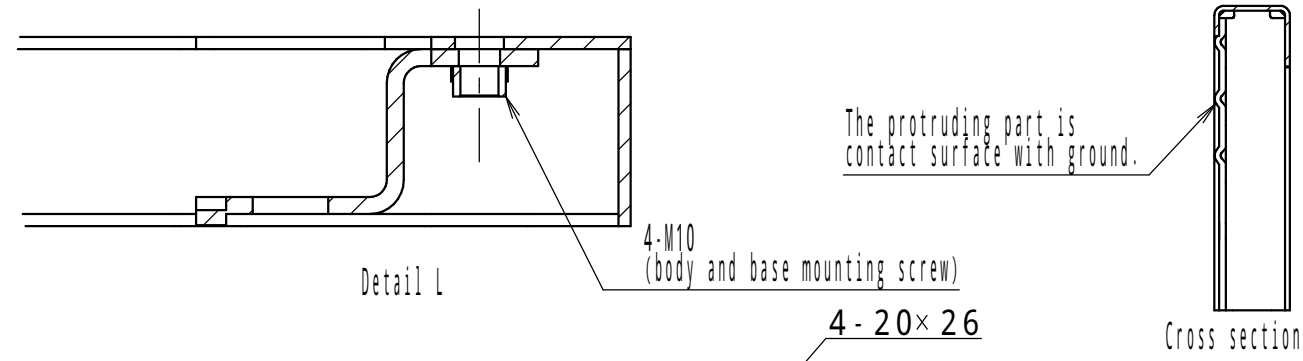
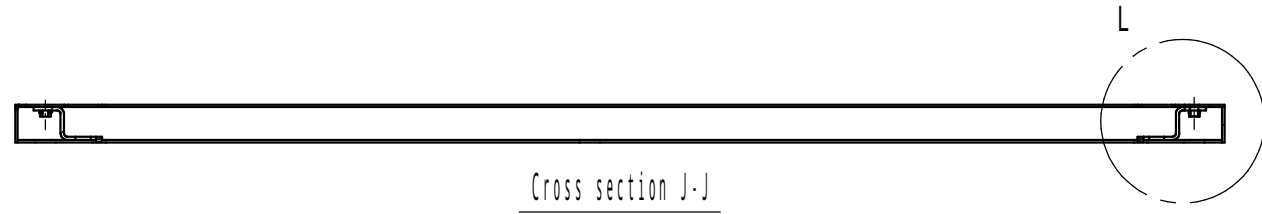
Cross section B-B

\* The holes are for W ≥ 1400mm only.  
W: Product Width  
H: Product Height  
D: Product Depth

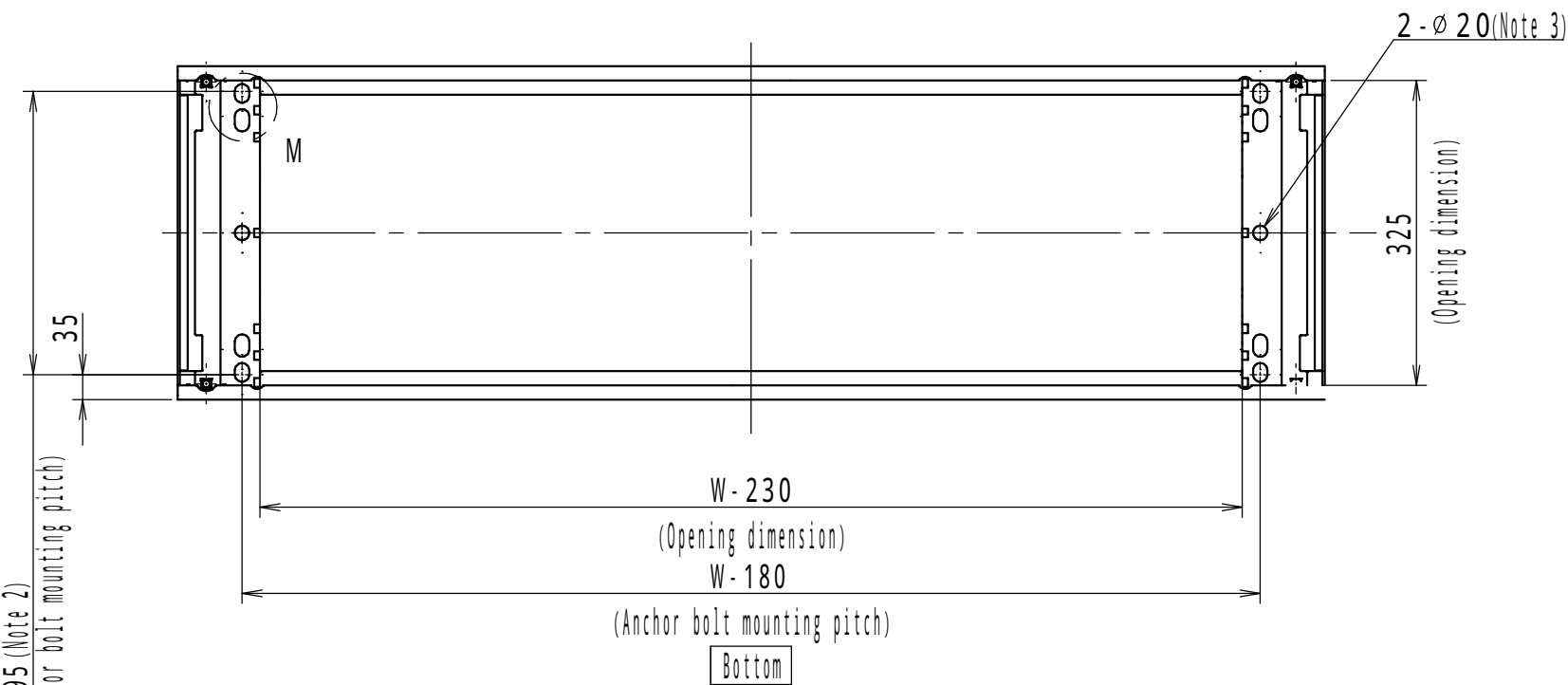
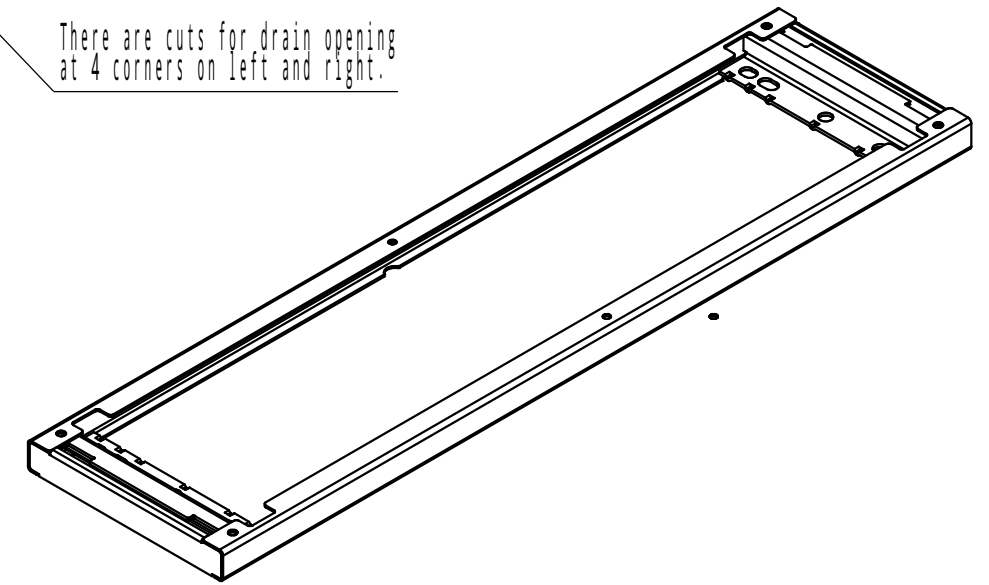
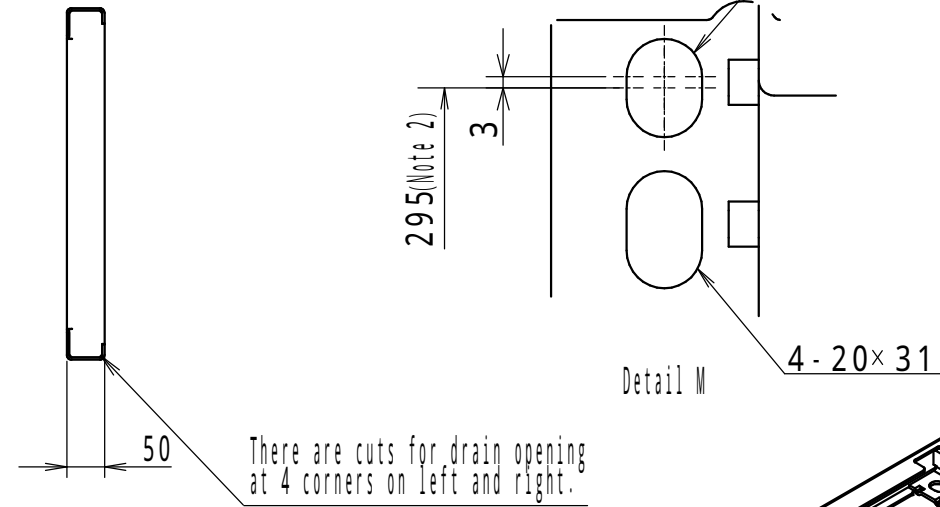


Detail E: Earth terminal(1:2)

Model	Detail view E				
Revision					2/3
Scale	Design	ITOU	Draw	NGUYEN	Check SUZUKI
Date: 25 / Mar. / 2021					



Base and body mounting surface



NOTE

1. W is width dimension of the product.
2. The pitch is recommended hole position for anchor bolt mounting.
3. The holes will be used when mounting the anchors at 6 points.

Enclosure specification		Model	E Base (9)					
Type	-	Material	3/3					
Base	Steel t3.2	Material	-					
	Steel t4.5 (anchor bolt mounting part)	Material	-					
Color	Standard / Light beige (5Y7/1)	Material	-					
		Scale	Design	YAMAZAWA	Draw	NGUYEN	Check	SUZUKI
		Date:	25 / Mar. / 2021					