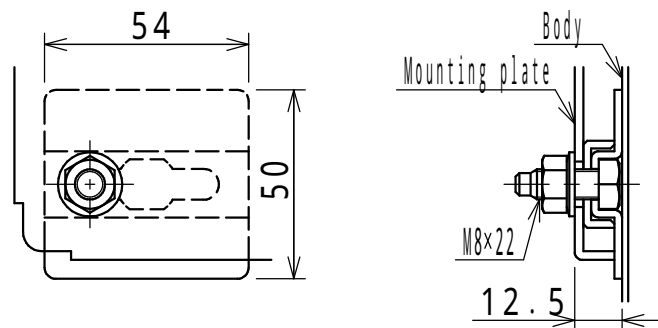


There is a bend (vertical direction) in center of rear side as shown in above drawing, so be careful when installing equipment.  
Cross section F-F

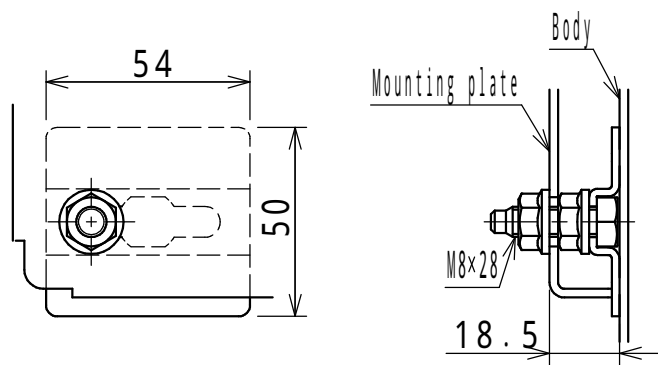
**NOTE**

- The drawing holder is attached with screws.  
Storage dimensions: W235 x H250 x thickness 38
- Angle of eyebolt may vary depending on each enclosure.

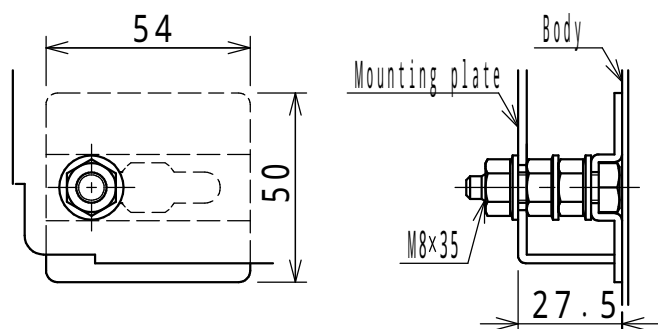
| Enclosure specification |                                       | Model                  | E40-1421A |        |       |      |        |       |        |
|-------------------------|---------------------------------------|------------------------|-----------|--------|-------|------|--------|-------|--------|
| Type                    | Indoor use, Floor standing, E40-1421A | Drawing<br>A3 scale    | 1/3       |        |       |      |        |       |        |
| Body                    | Steel t2.3                            |                        |           |        |       |      |        |       |        |
| Door                    | Steel t2.3                            |                        |           |        |       |      |        |       |        |
| Mounting plate          | Steel t2.3                            | Scale                  | 1:25      | Design | INOUE | Draw | NGUYEN | Check | SUZUKI |
| Color                   | Standard / Light beige (5Y7/1)        |                        |           |        |       |      |        |       |        |
| IP                      | IP4X                                  |                        |           |        |       |      |        |       |        |
| Weight                  | 245.0 kg                              | Date: 25 / Mar. / 2021 |           |        |       |      |        |       |        |



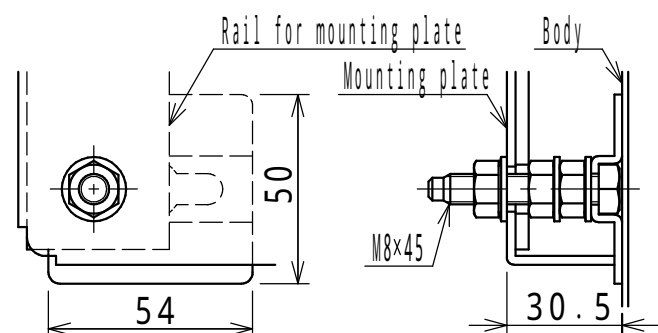
H ≤ 900mm



1000mm ≤ H ≤ 1900mm

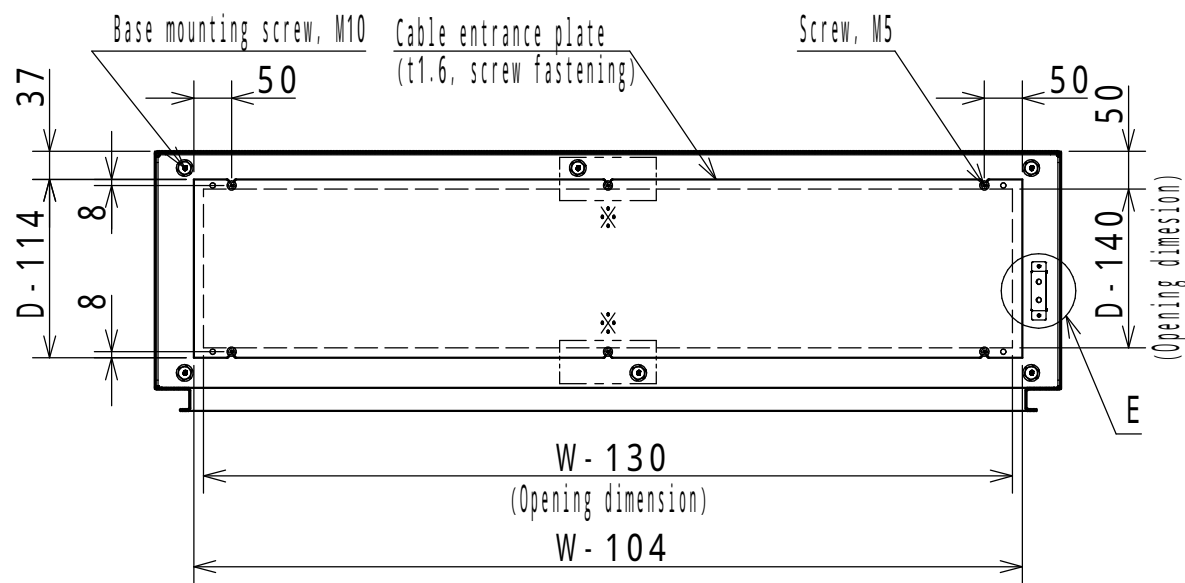


2000mm ≤ H



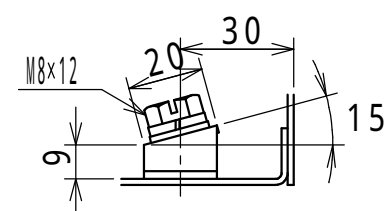
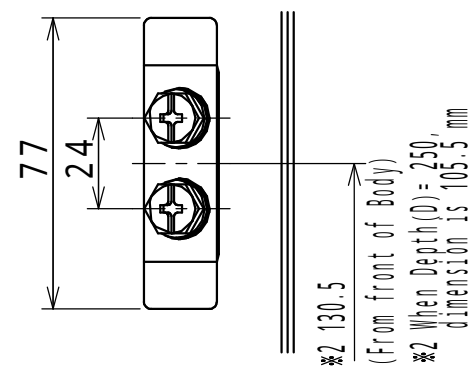
E25-1619A  
E35-1616A, 1618A, 1619A, 1620A, 1621A  
E40-1616A, 1618A, 1619A, 1620A, 1621A  
E50-1616A, 1618A, 1619A, 1620A, 1621A, 1623A

Detail C: Mounting plate installation(1:2)



Cross section B-B

\* The holes are for W ≥ 1400mm only.  
W: Product Width  
H: Product Height  
D: Product Depth



Detail E: Earth terminal(1:2)

|                        |               |      |      |        |              |
|------------------------|---------------|------|------|--------|--------------|
| Model                  | Detail view E |      |      |        |              |
| Revision               |               |      |      |        | 2/3          |
| Scale                  | Design        | ITOU | Draw | NGUYEN | Check SUZUKI |
| Date: 25 / Mar. / 2021 |               |      |      |        |              |

