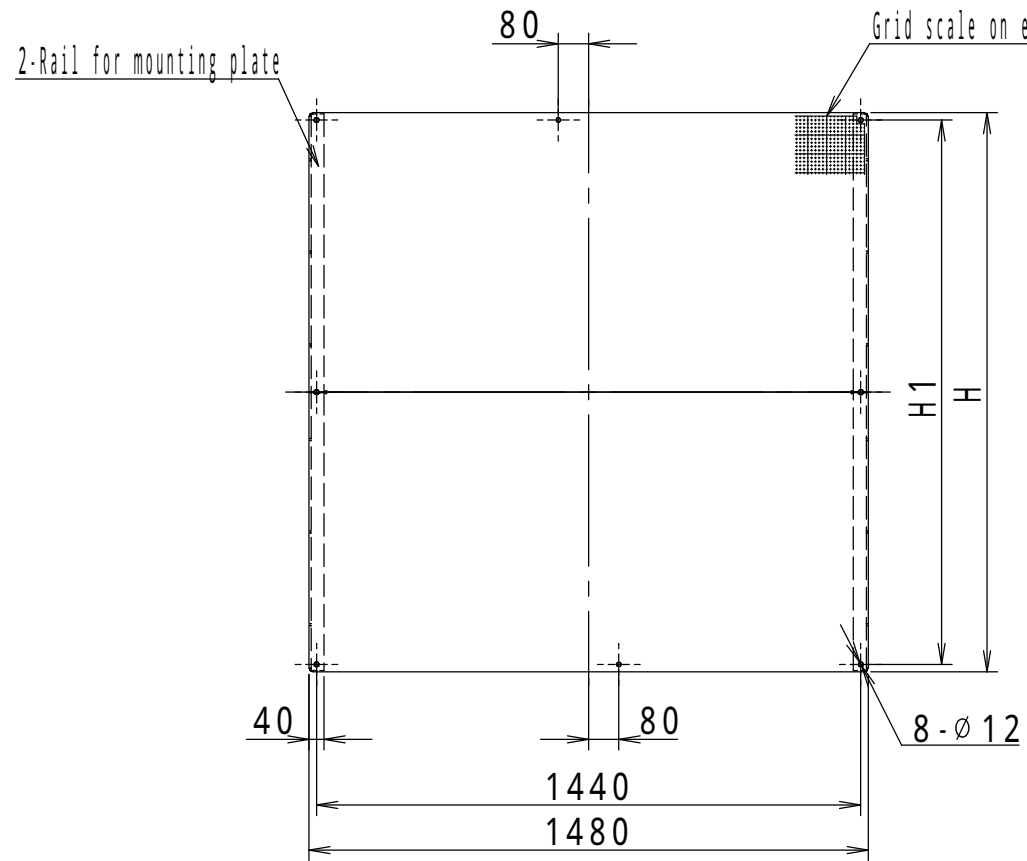


NOTE

- The drawing holder is attached with screws. Storage dimensions: W235 x H250 x thickness 38
- Angle of eyebolt may vary depending on each enclosure.

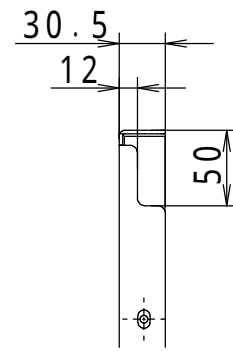
There is a bend (vertical direction) in center of rear side as shown in above drawing, so be careful when installing equipment.
Cross section F-F

Enclosure specification		Model	E 40 - 1618A							
Type	Indoor use, Floor standing, E40-1618A	Drawing A3 scale	Scale	1:20	Design	INOUE	Draw	NGUYEN	Check	SUZUKI
Body	Steel t 2.3									
Door	Steel t 2.3									
Mounting plate	Steel t 2.3									
Color	Standard / Light beige (5Y7/1)									
IP	IP4X									
Weight	247.0 kg									
										Date: 25 / Mar. / 2021

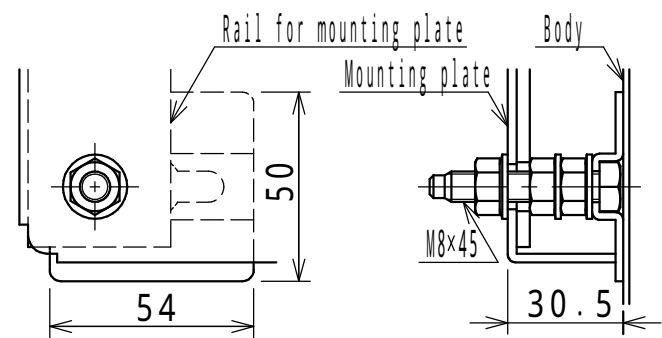
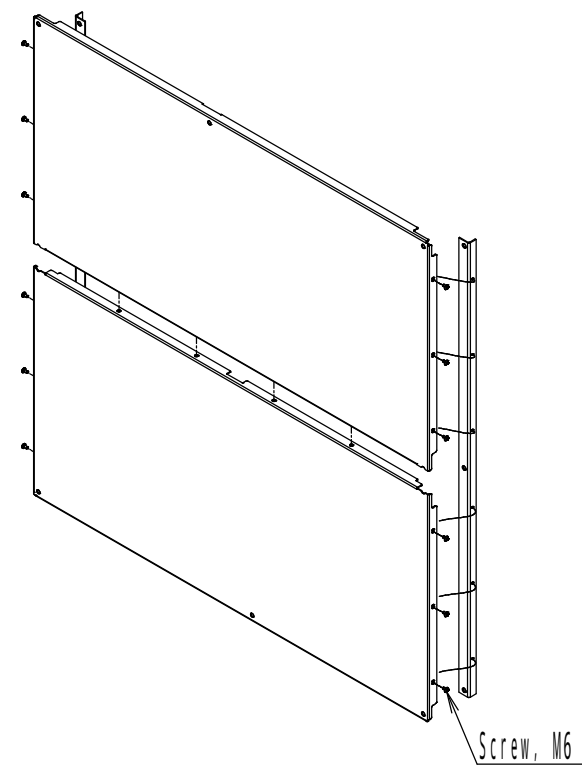


Mounting plate (Divided into top and bottom parts)

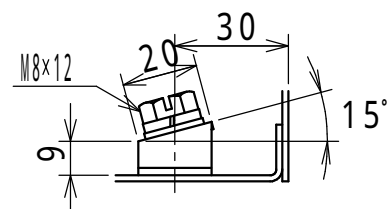
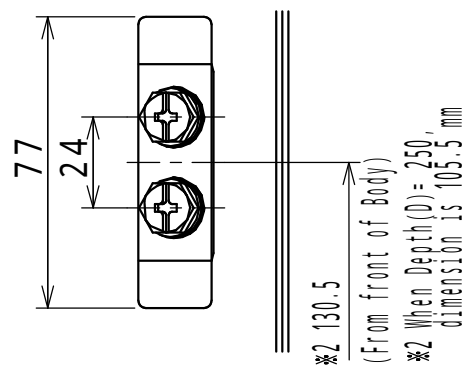
Product name	H	H1
E** - 1616A (C)	1480	1440
E** - 1618A (C)	1680	1640
E** - 1619A (C)	1780	1740
E** - 1620A (C)	1880	1840
E** - 1621A (C)	1980	1940
E** - 1623A (C)	2180	2140



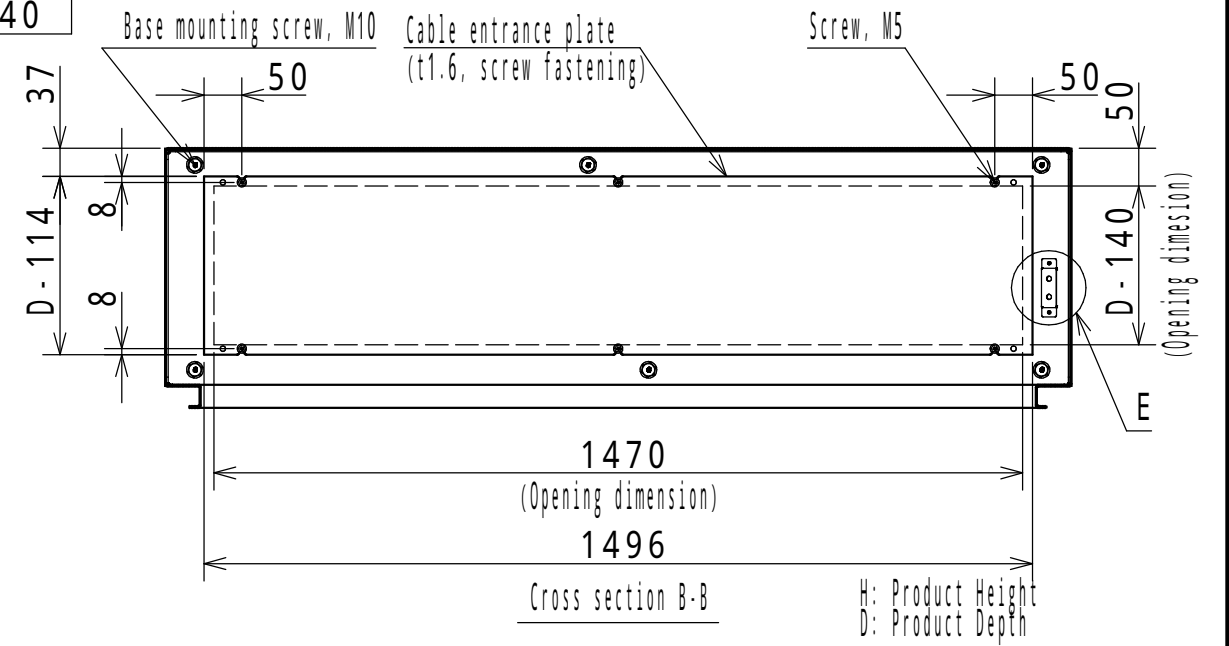
Detail G: Mounting plate(1:5)



Detail C: Mounting plate(1:2)

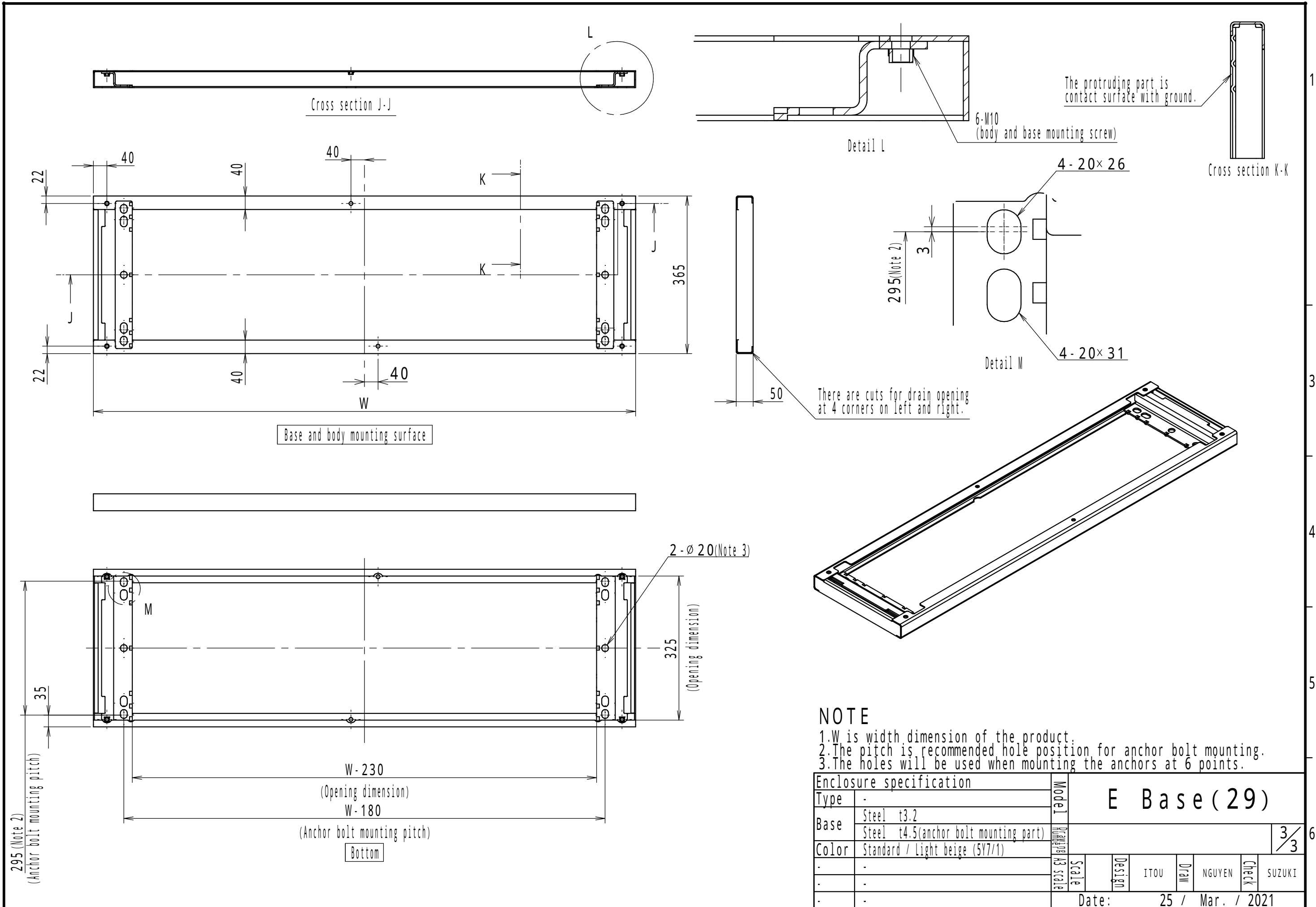


Detail E: Earth terminal(1:1)



Cross section B-B
H: Product Height
D: Product Depth

Model	Detail view E				
Revision					2/3
Scale	Design	ITOU	Draw	NGUYEN	Check SUZUKI
Date: 25 / Mar. / 2021					



Enclosure specification		Model	E Base (29)			
Type	-	Material	3/3			
Base	Steel t3.2	Scale	A3 scale			
	Steel t4.5 (anchor bolt mounting part)	Design	ITOU	Draw	NGUYEN	Check
Color	Standard / Light beige (5Y7/1)	Date:	25 / Mar. / 2021			