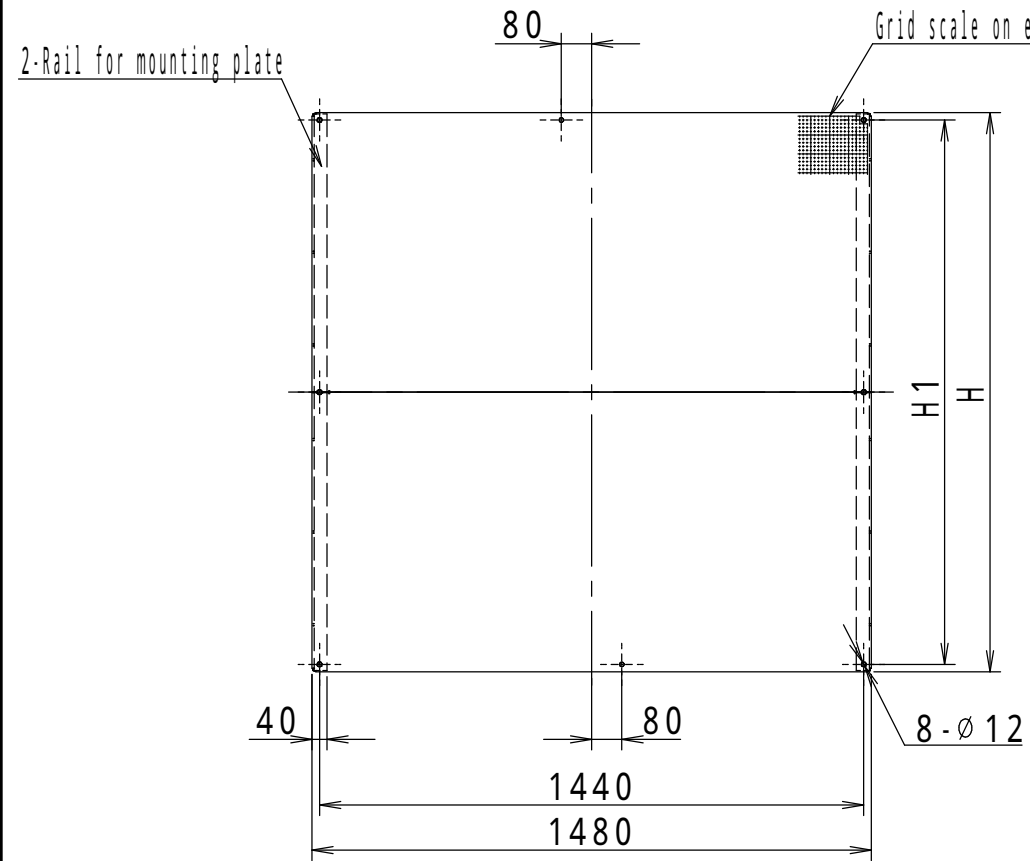


There is a bend (vertical direction) in center of rear side as shown in above drawing, so be careful when installing equipment.
Cross section F-F

NOTE

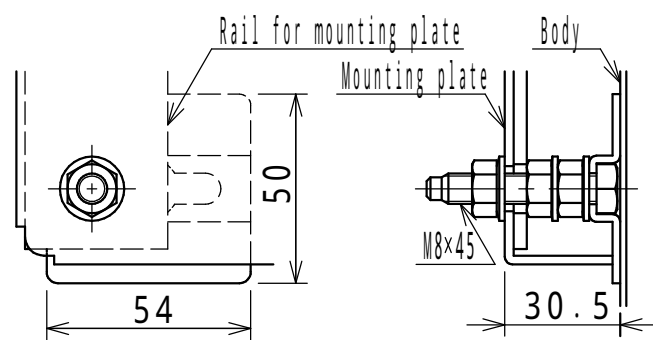
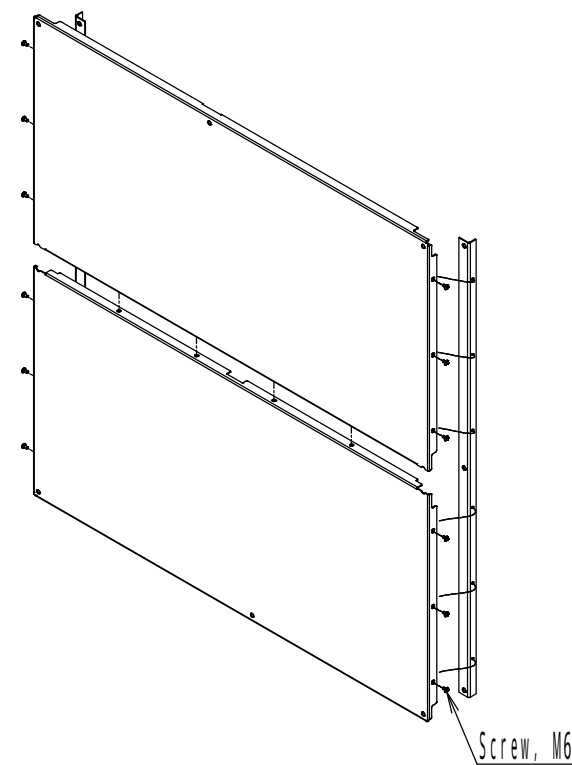
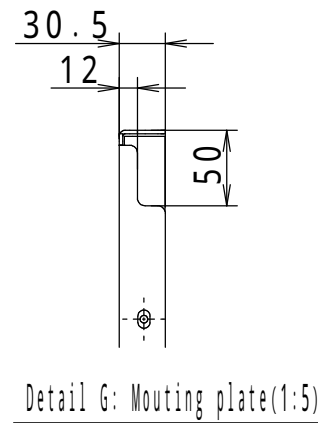
- The drawing holder is attached with screws.
Storage dimensions: W235 x H250 x thickness 38
- Angle of eyebolt may vary depending on each enclosure.

| Enclosure specification | | Model | E40-1620A | | | | | | | | |
|-------------------------|---------------------------------------|------------------|-----------|------------------|--------|-------|------|--------|-------|--------|-------|
| Type | Indoor use, Floor standing, E40-1620A | Drawing A3 scale | Scale | 1:25 | Design | INOUE | Draw | NGUYEN | Check | SUZUKI | |
| Body | Steel | | | | | | | | | | t 2.3 |
| Door | Steel | | | | | | | | | | t 2.3 |
| Mounting plate | Steel | t 2.3 | | | | | | | | | |
| Color | Standard / Light beige (5Y7/1) | | | | | | | | | | |
| IP | IP4X | | | | | | | | | | |
| Weight | 267.0 kg | | | | | | | | | | |
| | | Date: | | 25 / Mar. / 2021 | | | | | | | |

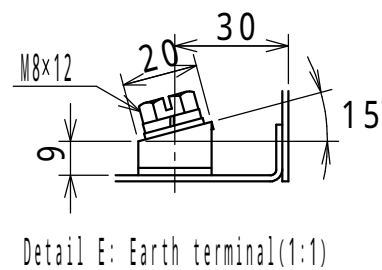
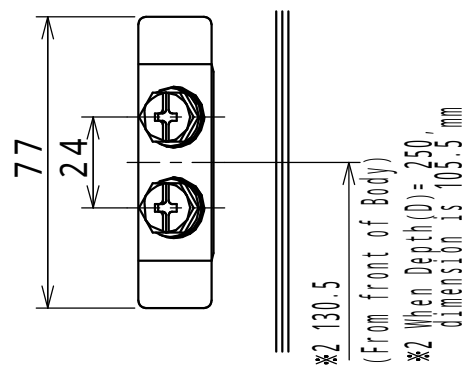


Mounting plate (Divided into top and bottom parts)

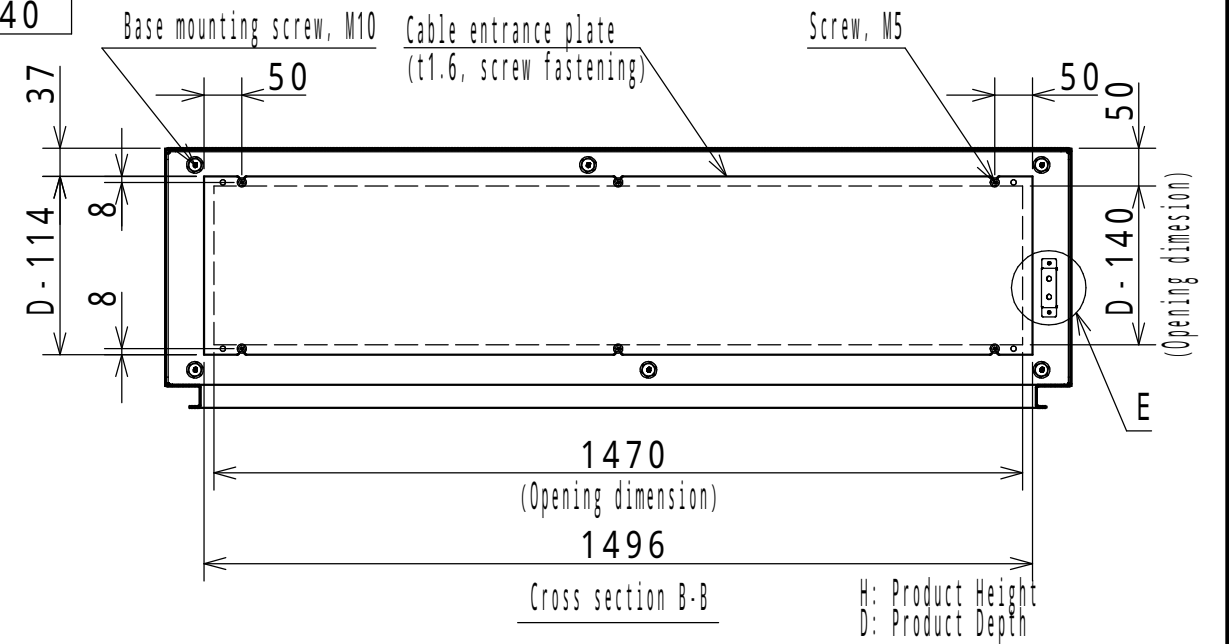
| Product name | H | H1 |
|-----------------|------|------|
| E** - 1616A (C) | 1480 | 1440 |
| E** - 1618A (C) | 1680 | 1640 |
| E** - 1619A (C) | 1780 | 1740 |
| E** - 1620A (C) | 1880 | 1840 |
| E** - 1621A (C) | 1980 | 1940 |
| E** - 1623A (C) | 2180 | 2140 |



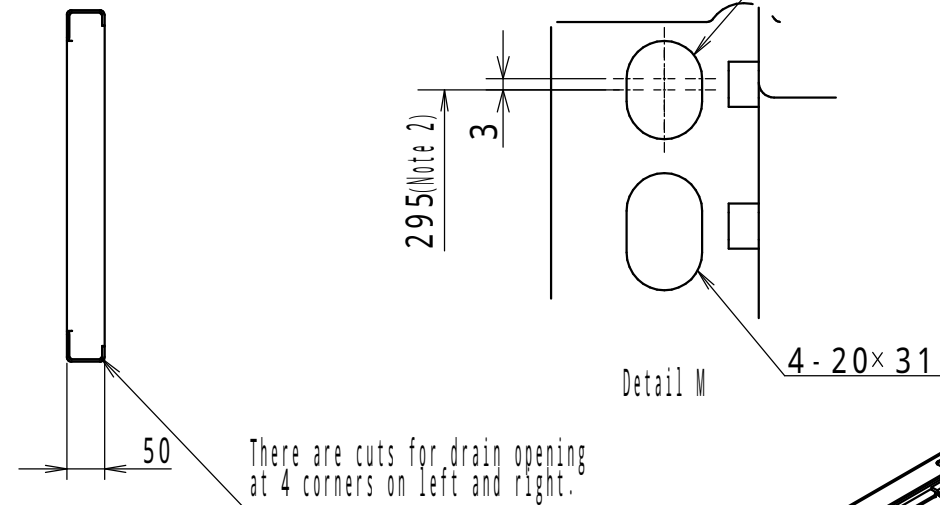
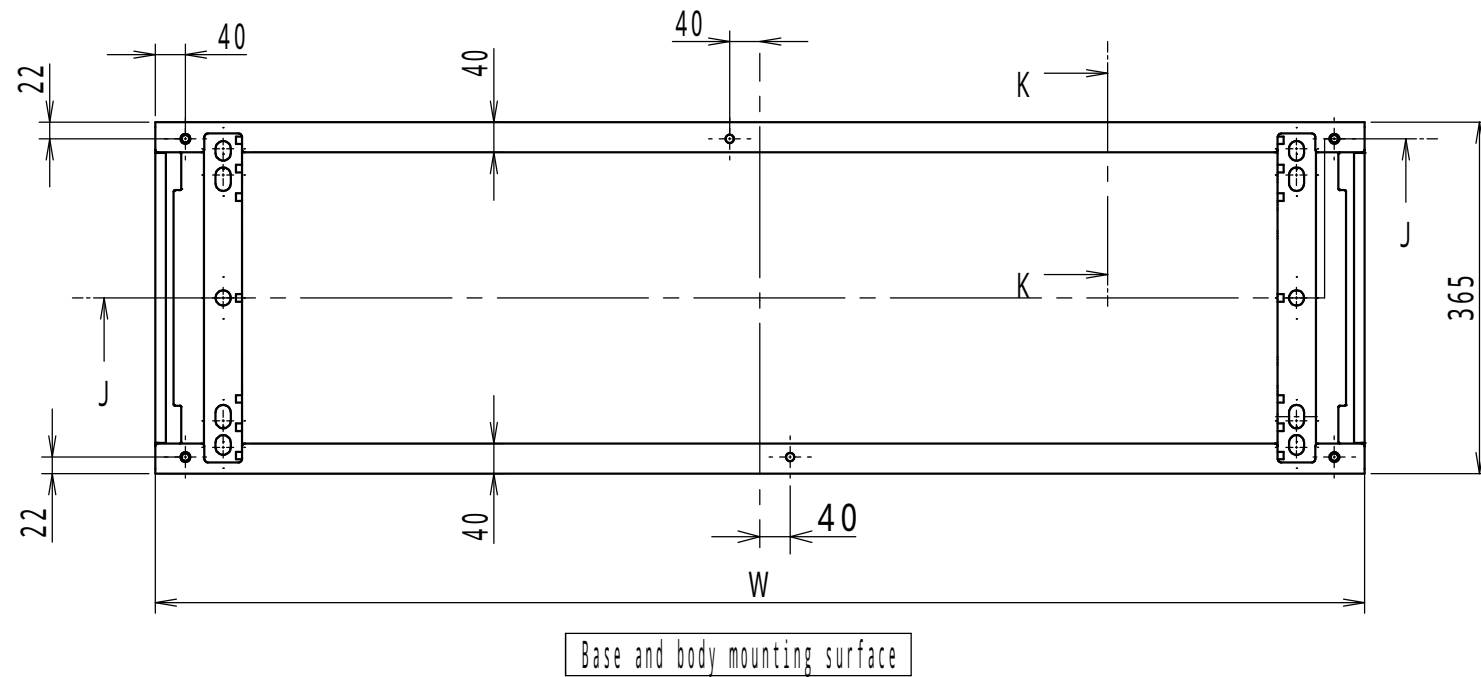
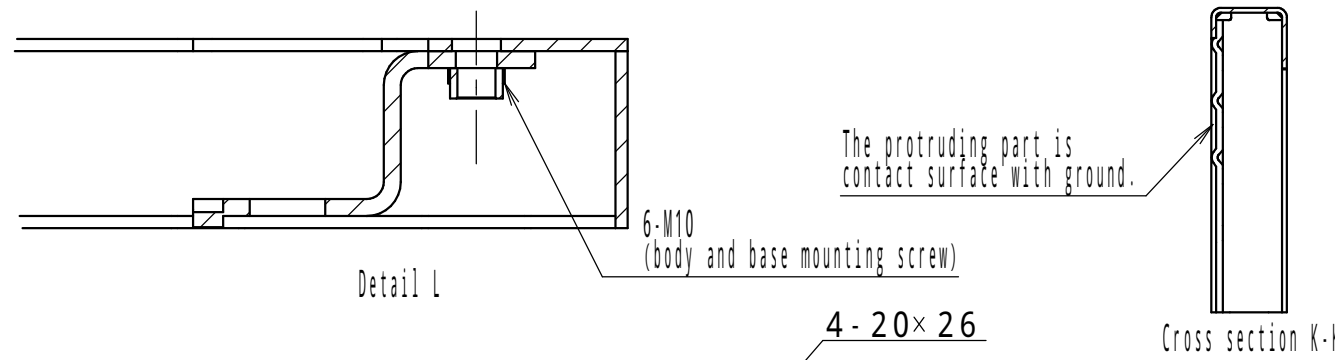
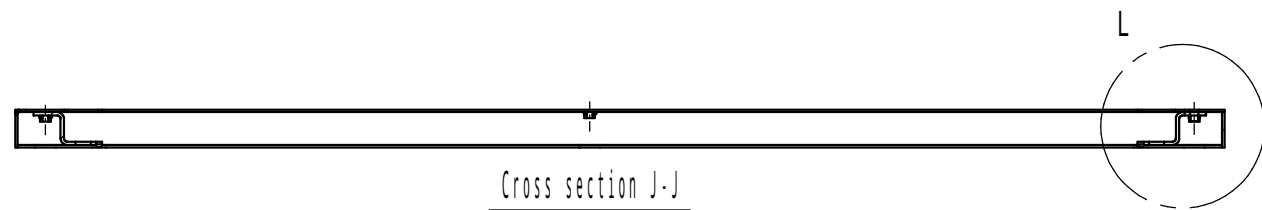
Detail C: Mounting plate(1:2)



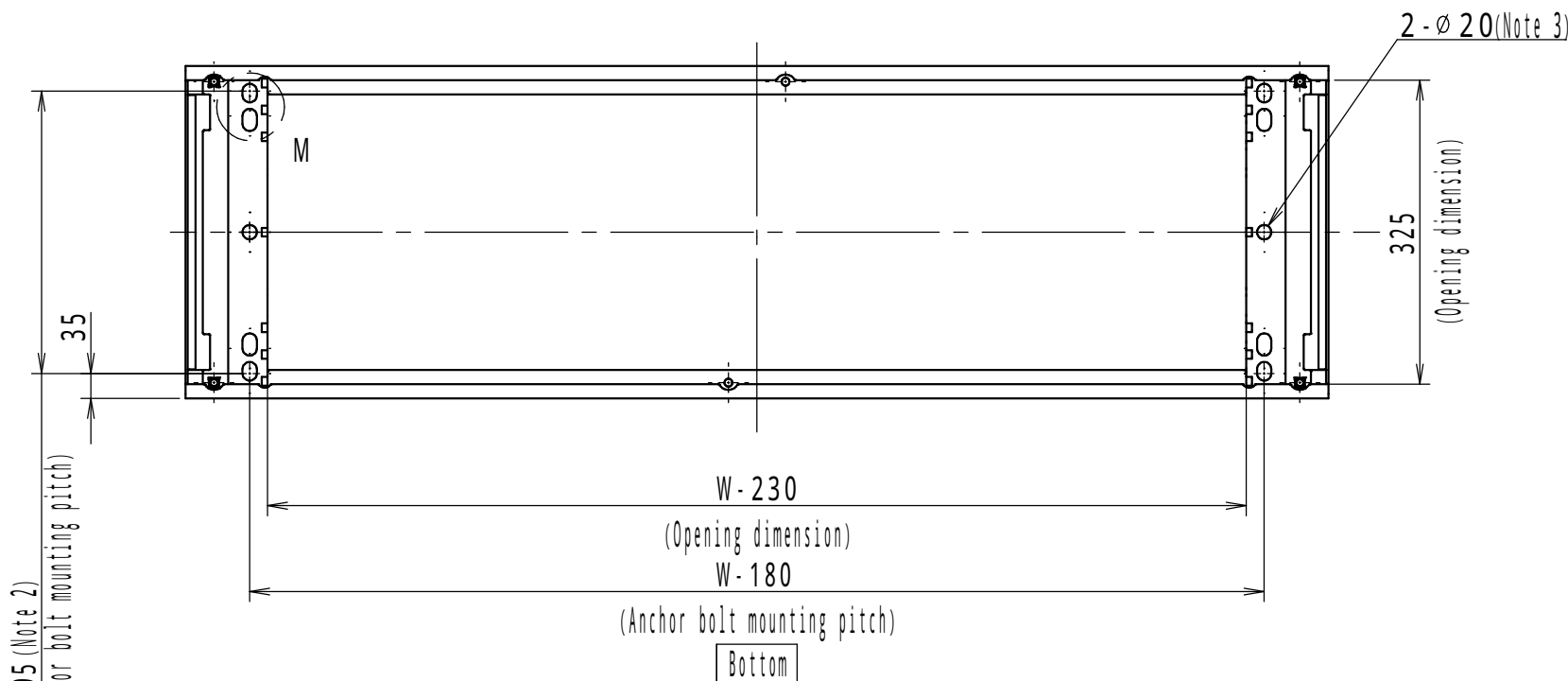
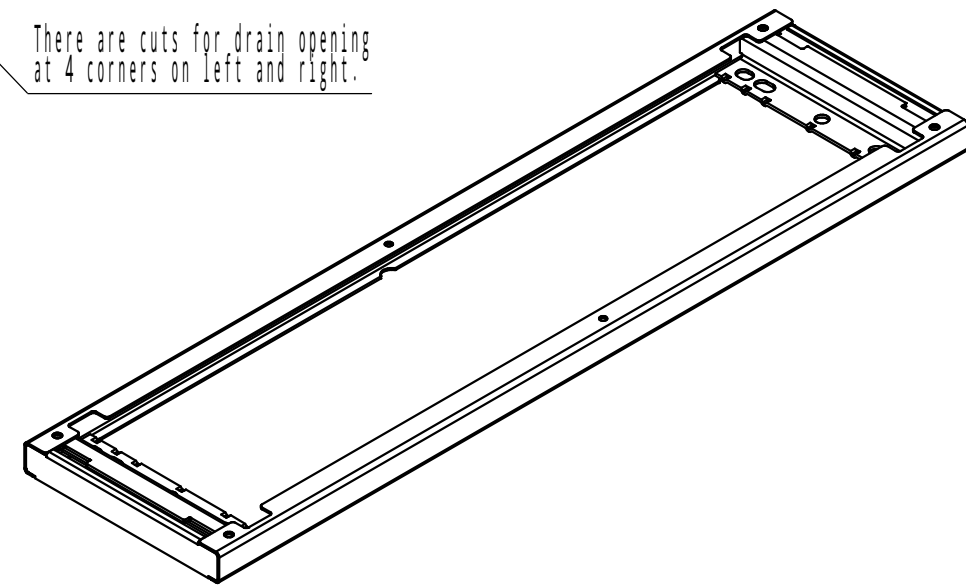
Detail E: Earth terminal(1:1)



| | | | | | |
|------------------------|---------------|------|------|--------|--------------|
| Model | Detail view E | | | | |
| Revision | | | | | 2/3 |
| Scale | Design | ITOU | Draw | NGUYEN | Check SUZUKI |
| Date: 25 / Mar. / 2021 | | | | | |



50 There are cuts for drain opening at 4 corners on left and right.



NOTE
 1. W is width dimension of the product.
 2. The pitch is recommended hole position for anchor bolt mounting.
 3. The holes will be used when mounting the anchors at 6 points.

| | | | | | | | | | | | |
|-------------------------|--------------------------------|--|--|--|--|--|----------|-------------|--|--------|--|
| Enclosure specification | | | | Model | | | | E Base (29) | | | |
| Type | - | | | Drawing | | | A3 scale | | | 3/3 | |
| Base | Steel t3.2 | | | Steel t4.5 (anchor bolt mounting part) | | | | | | | |
| Color | Standard / Light beige (5Y7/1) | | | | | | | | | | |
| Scale | | | | Design | | | ITOU | | | Draw | |
| Design | | | | Check | | | NGUYEN | | | SUZUKI | |
| Date: | 25 / Mar. / 2021 | | | | | | | | | | |