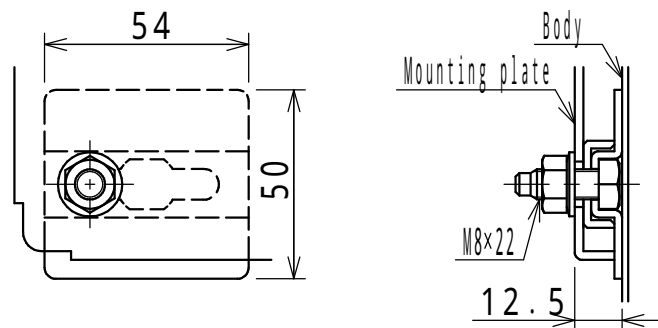


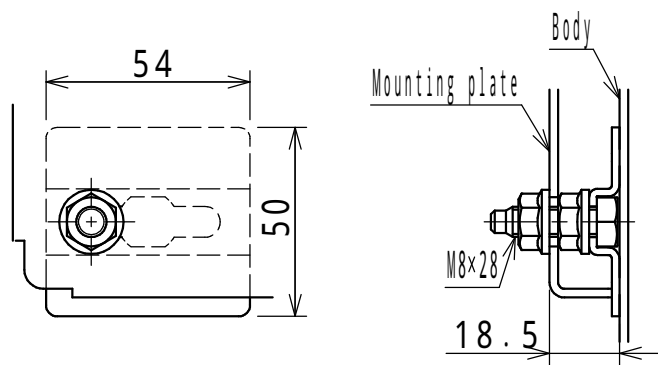
NOTE

- The drawing holder is attached with screws.
Storage dimensions: W235 x H250 x thickness 38
- Angle of eyebolt may vary depending on each enclosure.

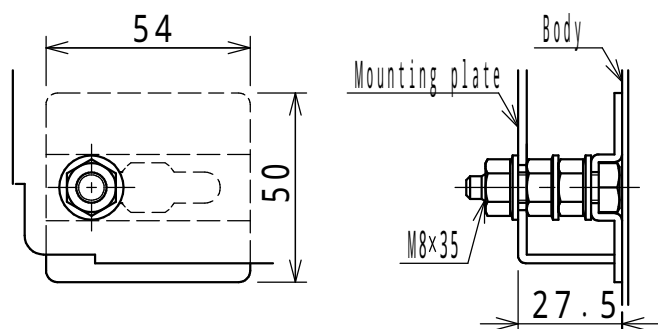
Enclosure specification		Model	E40-914A						
Type	Indoor use, Floor standing, E40-914A	Drawing A3 scale	1/3						
Body	Steel t2.3								
Door	Steel t2.3								
Mounting plate	Steel t2.3	Scale	1:20	Design	SUZUKI	Draw	NGUYEN	Check	SUZUKI
Color	Standard / Light beige (5Y7/1)								
IP	IP5X (Category 2)								
Weight	119.0kg	Date: 25 / Mar. / 2021							



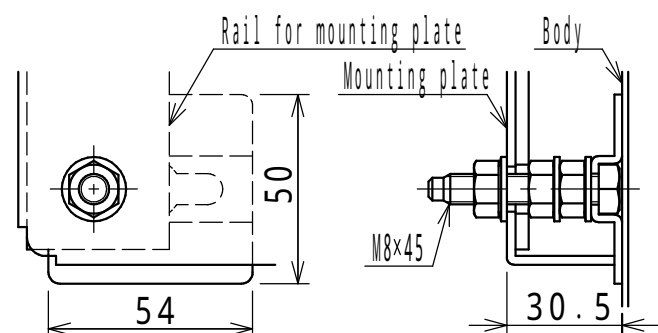
H ≤ 900mm



1000mm ≤ H ≤ 1900mm

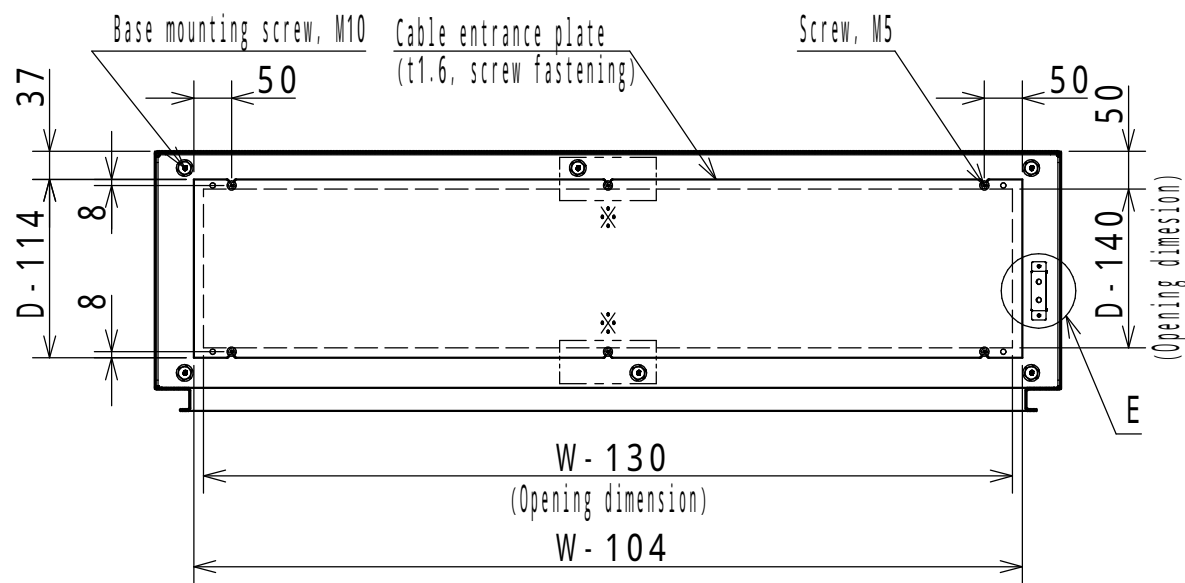


2000mm ≤ H



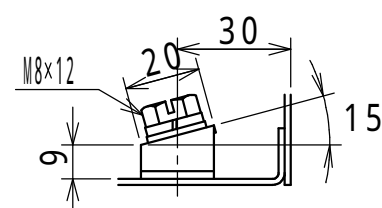
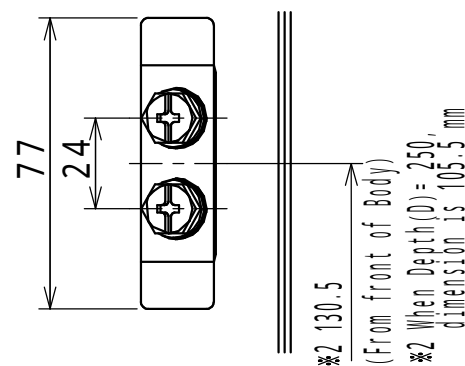
E25-1619A
E35-1616A, 1618A, 1619A, 1620A, 1621A
E40-1616A, 1618A, 1619A, 1620A, 1621A
E50-1616A, 1618A, 1619A, 1620A, 1621A, 1623A

Detail C: Mounting plate installation(1:2)



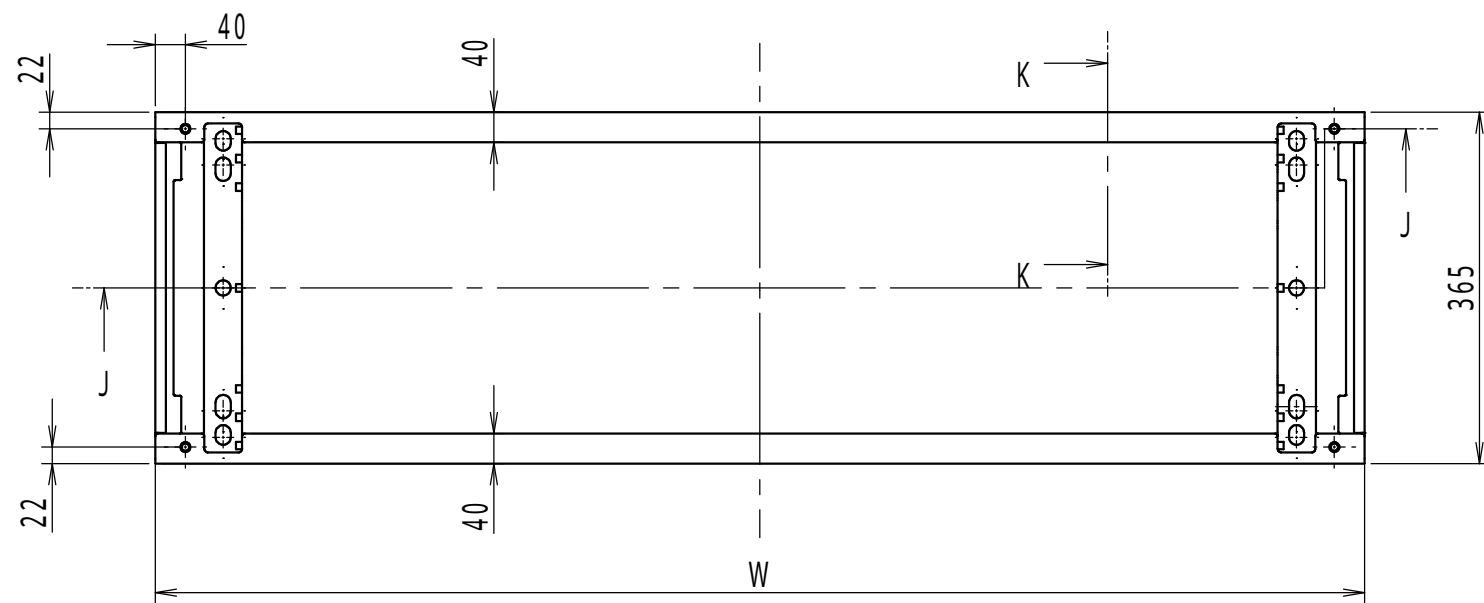
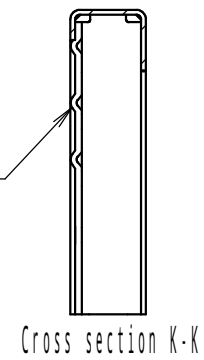
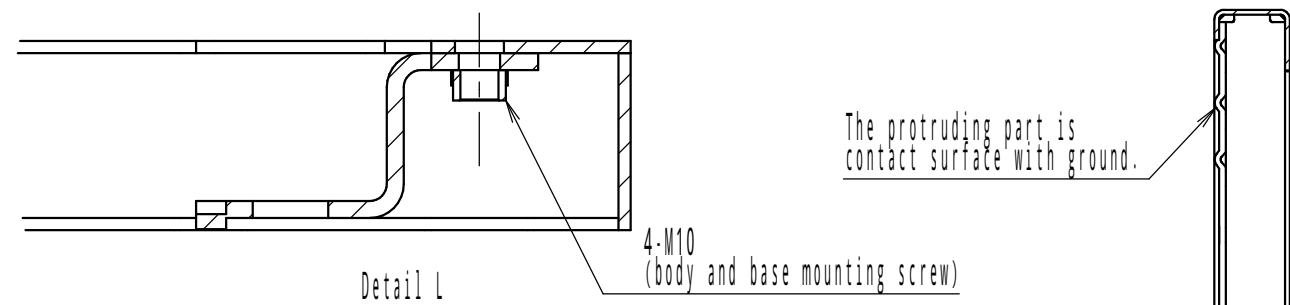
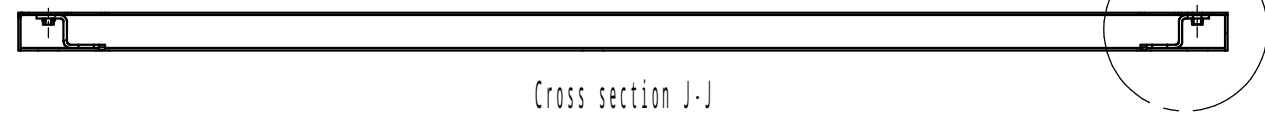
Cross section B-B

* [] The holes are for W ≥ 1400mm only.
W: Product Width
H: Product Height
D: Product Depth

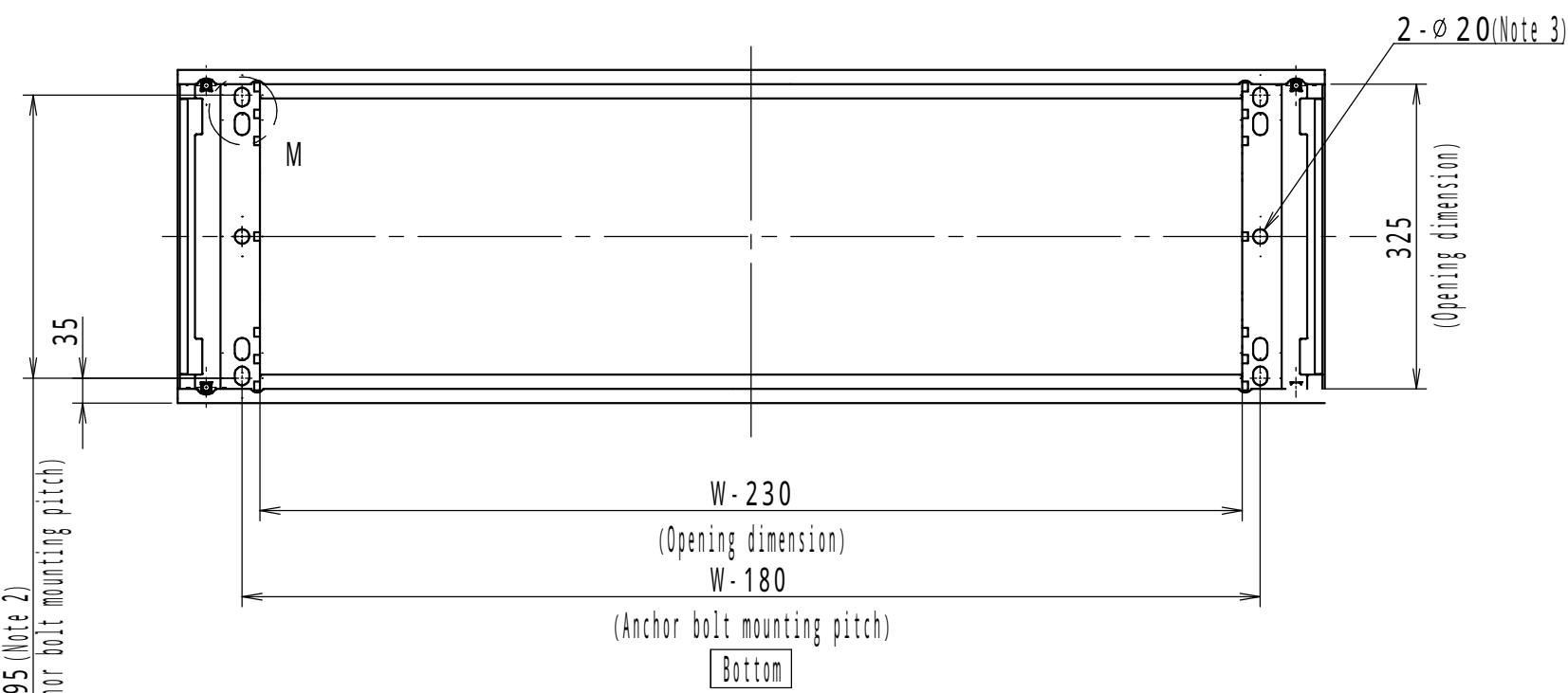
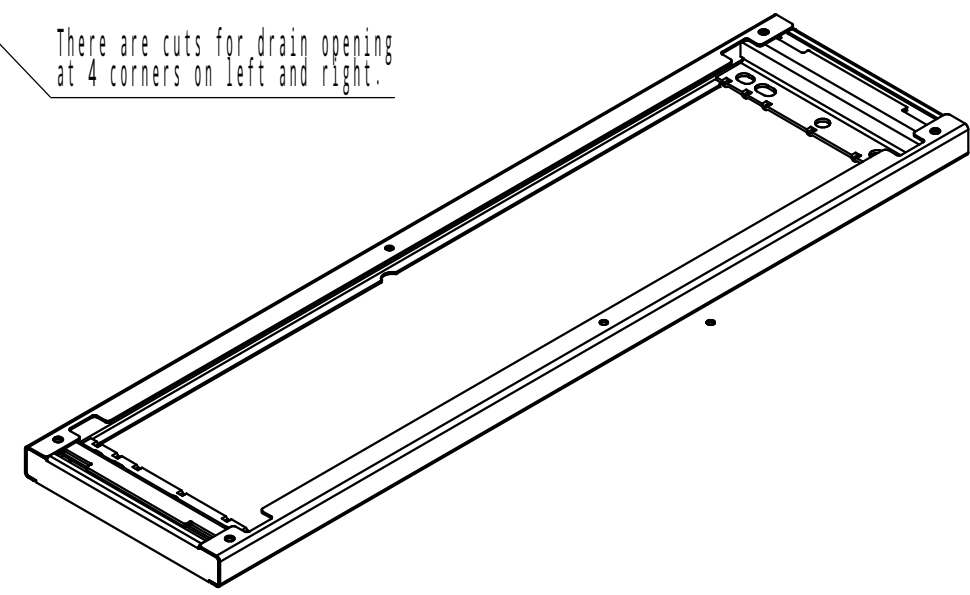
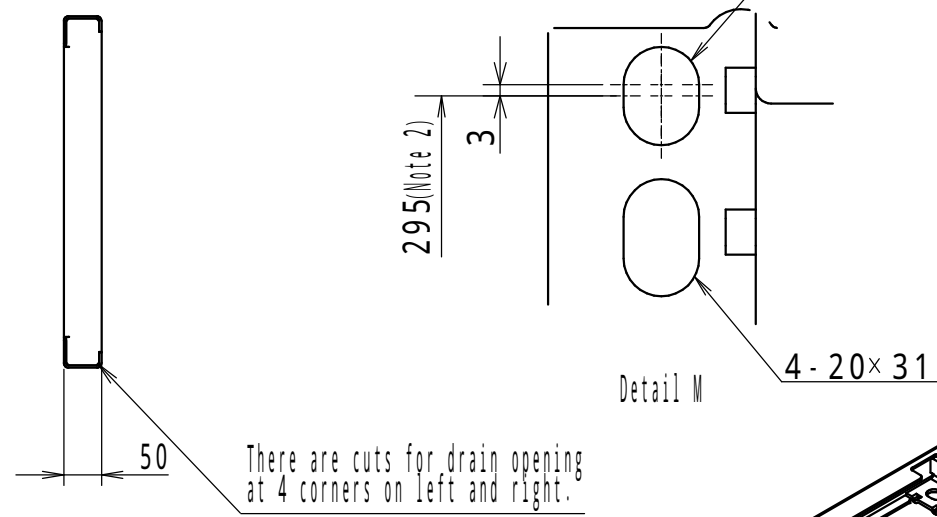


Detail E: Earth terminal(1:2)

Model	Detail view E				
Revision					2/3
Scale	Design	ITOU	Draw	NGUYEN	Check SUZUKI
Date: 25 / Mar. / 2021					



Base and body mounting surface



NOTE
 1.W is width dimension of the product.
 2.The pitch is recommended hole position for anchor bolt mounting.
 3.The holes will be used when mounting the anchors at 6 points.

Enclosure specification		Model	
Type	-	E Base (9)	
Base	Steel t3.2	Drawing A3 scale	3/3
	Steel t4.5 (anchor bolt mounting part)		
Color	Standard / Light beige (5Y7/1)	Scale	Design
		Scale	Design
		Draw	Check
		YAMAZAWA	NGUYEN
		SUZUKI	
Date: 25 / Mar. / 2021			

1
3
4
5
6
S