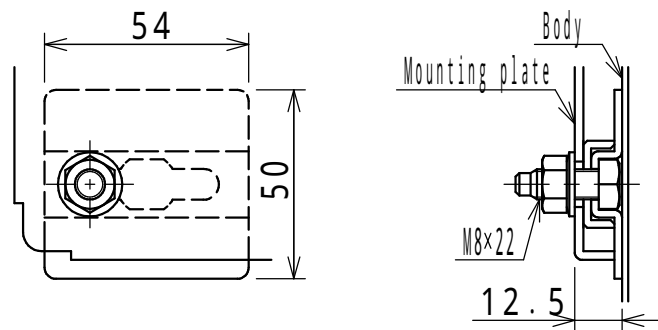


There is a bend (vertical direction) in center of rear side as shown in above drawing, so be careful when installing equipment.
Cross section F-F

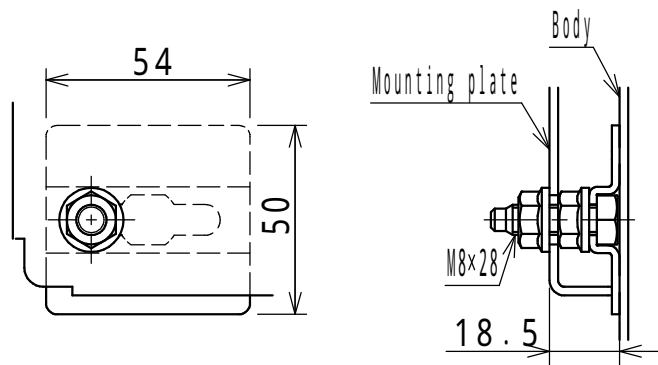
NOTE

- The drawing holder is attached with screws.
Storage dimensions: W235 x H250 x thickness 38
- Angle of eyebolt may vary depending on each enclosure.

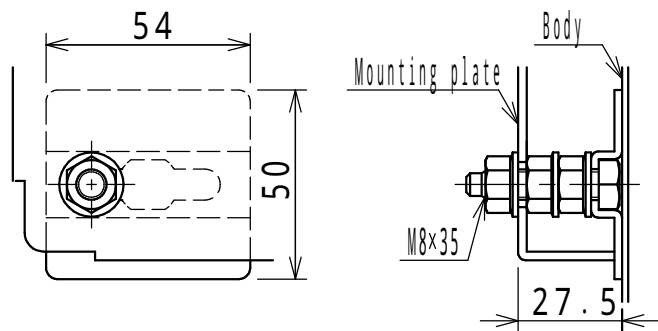
Enclosure specification		Model	E40-920A						
Type	Indoor use, Floor standing, E40-920A	Drawing A3 scale	1/3						
Body	Steel t2.3								
Door	Steel t2.3								
Mounting plate	Steel t2.3	Scale	1:25	Design	INOUE	Draw	NGUYEN	Check	SUZUKI
Color	Standard / Light beige (5Y7/1)								
IP	IP5X (Category 2)								
Weight	160.0kg	Date: 25 / Mar. / 2021							



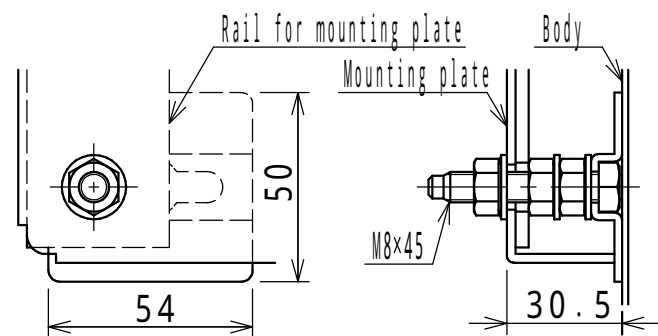
H ≤ 900mm



1000mm ≤ H ≤ 1900mm

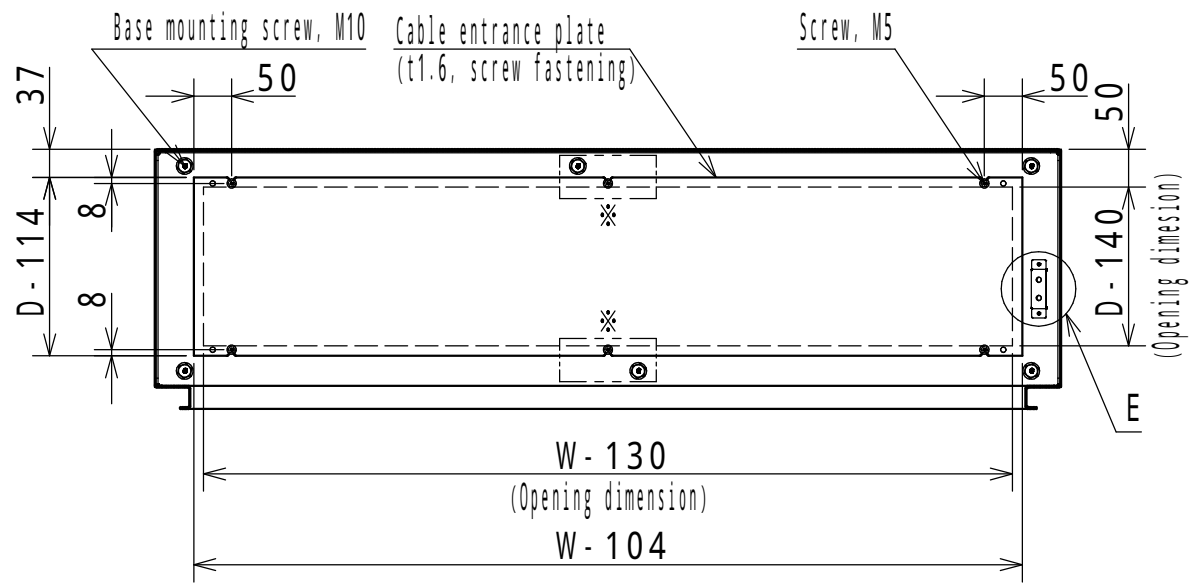


2000mm ≤ H



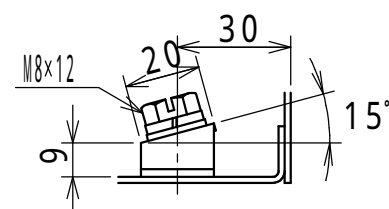
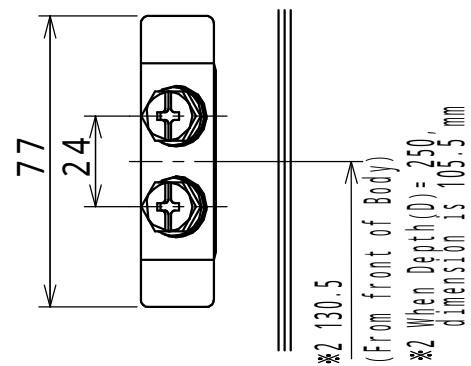
E25-1619A
E35-1616A, 1618A, 1619A, 1620A, 1621A
E40-1616A, 1618A, 1619A, 1620A, 1621A
E50-1616A, 1618A, 1619A, 1620A, 1621A, 1623A

Detail C: Mounting plate installation(1:2)



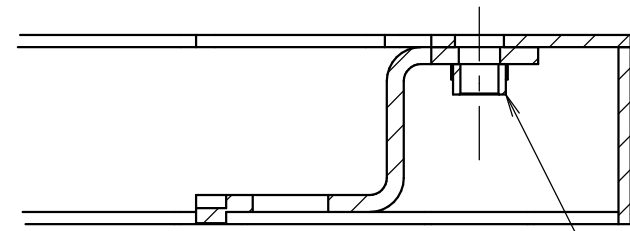
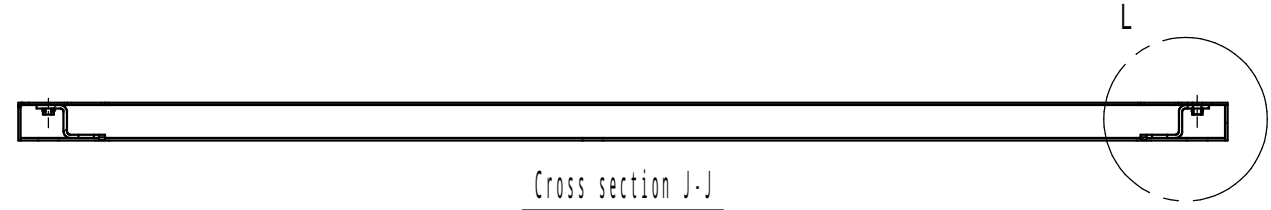
Cross section B-B

* The holes are for W ≥ 1400mm only.
W: Product Width
H: Product Height
D: Product Depth



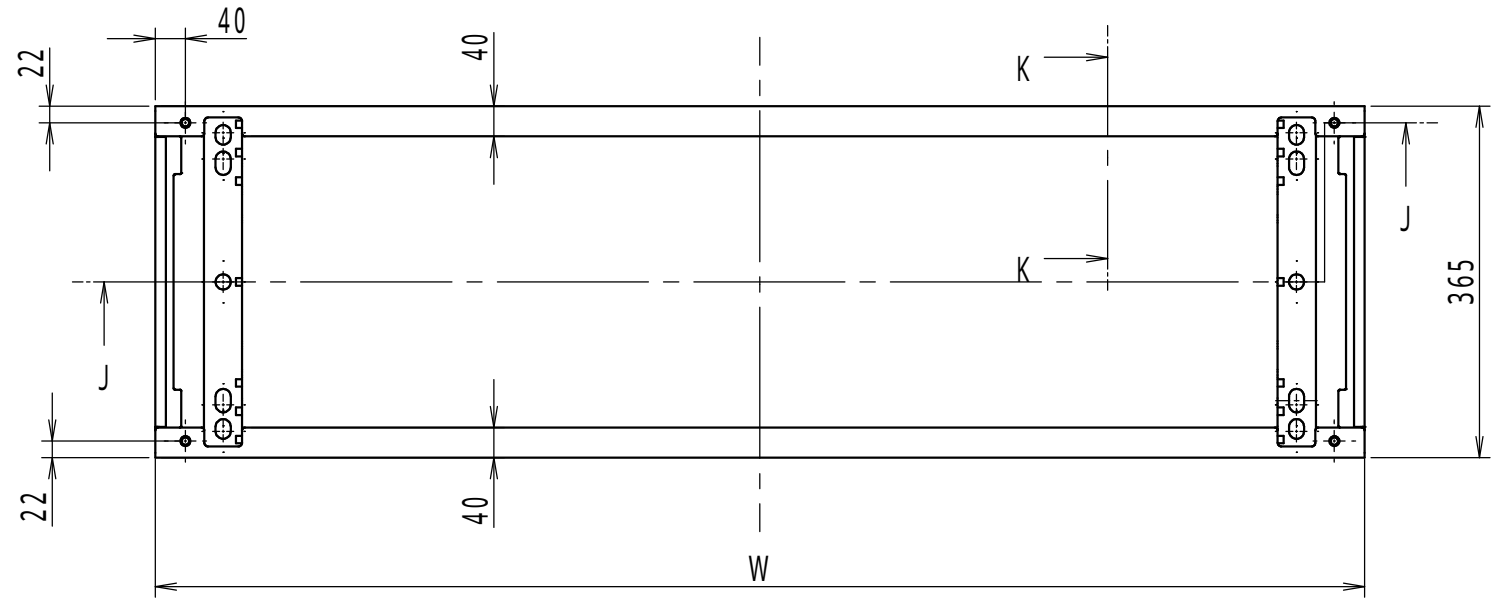
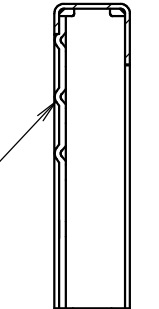
Detail E: Earth terminal(1:2)

Model	Detail view E				
Revision					2/3
Scale	Design	ITOU	Draw	NGUYEN	Check SUZUKI
Date: 25 / Mar. / 2021					



The protruding part is contact surface with ground.

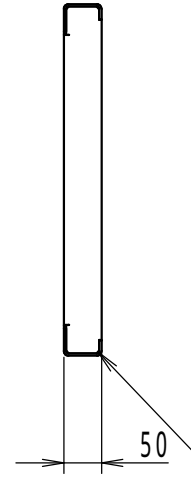
4-M10
(body and base mounting screw)



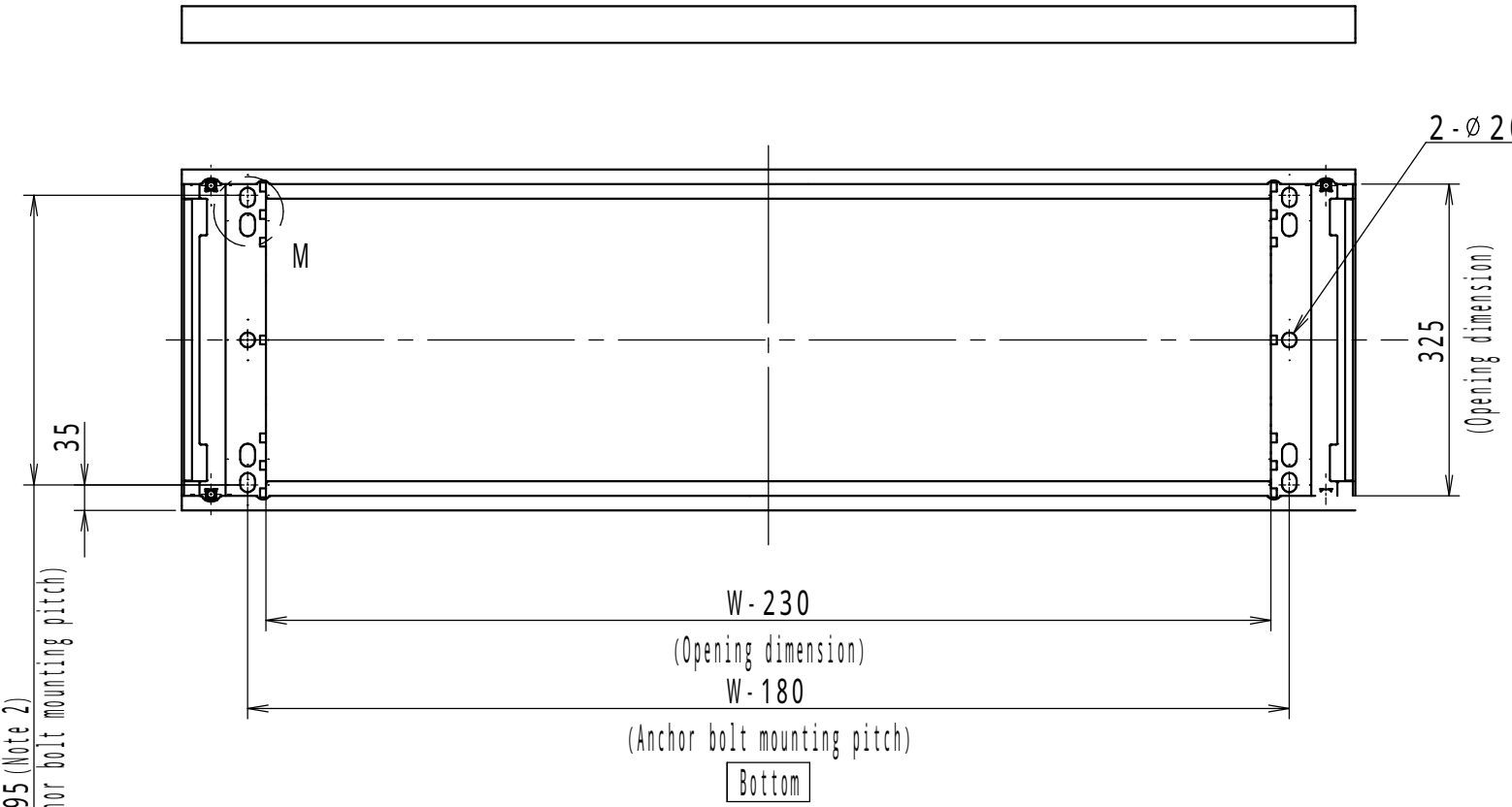
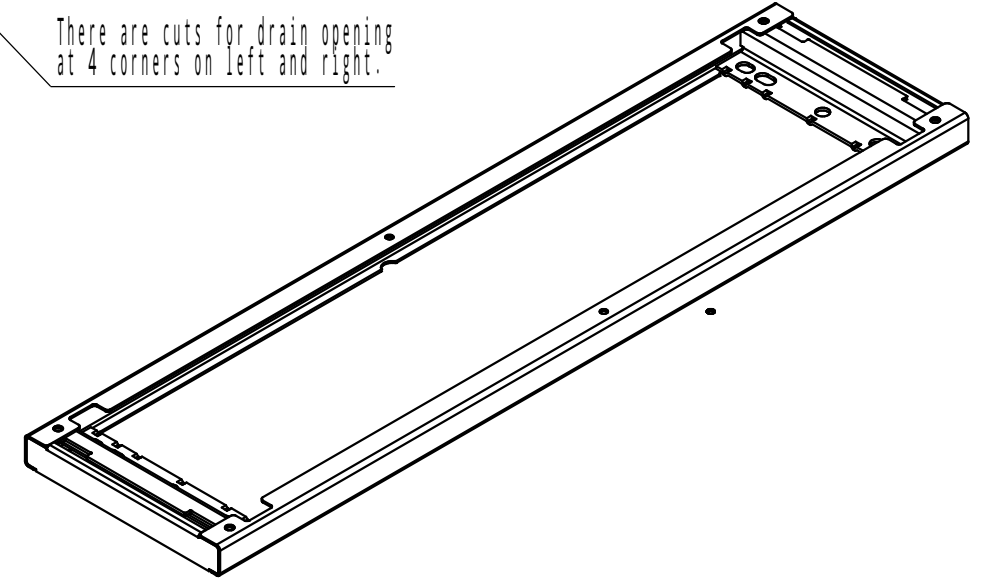
4 - 20 × 26

295 (Note 2)

4 - 20 × 31



There are cuts for drain opening at 4 corners on left and right.



NOTE

- 1. W is width dimension of the product.
- 2. The pitch is recommended hole position for anchor bolt mounting.
- 3. The holes will be used when mounting the anchors at 6 points.

Enclosure specification		Model	E Base (9)			
Type	-	Material	3/3			
Base	Steel t3.2	Material	-			
	Steel t4.5 (anchor bolt mounting part)	Material	-			
Color	Standard / Light beige (5Y7/1)	Material	-			
-	-	Scale	Design	YAMAZAWA	Draw	NGUYEN
-	-	Scale	Design	YAMAZAWA	Draw	NGUYEN
-	-	Scale	Design	YAMAZAWA	Draw	NGUYEN
Date:			25 / Mar. / 2021			