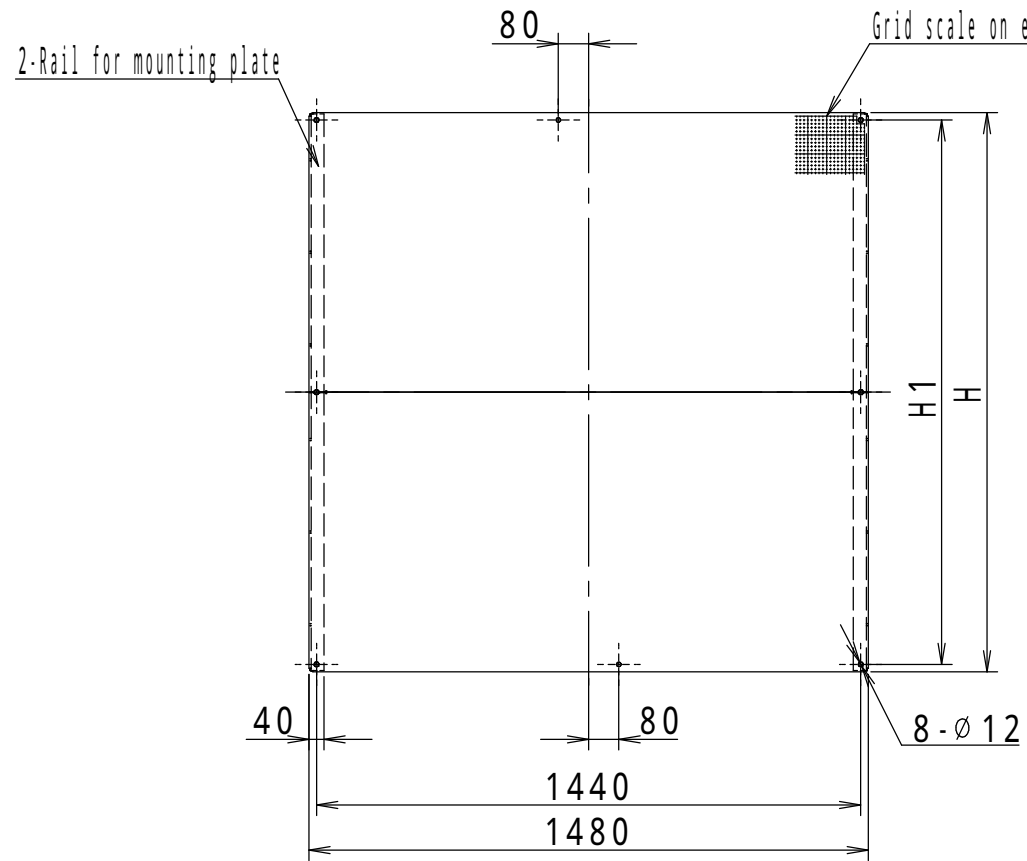


There is a bend (vertical direction) in center of rear side as shown in above drawing, so be careful when installing equipment.  
Cross section F-F

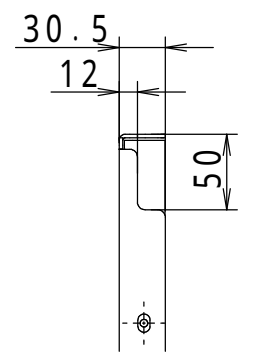
**NOTE**

- The drawing holder is attached with screws.  
Storage dimensions: W235 x H250 x thickness 38
- Angle of eyebolt may vary depending on each enclosure.

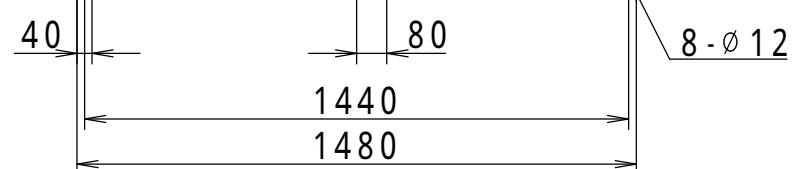
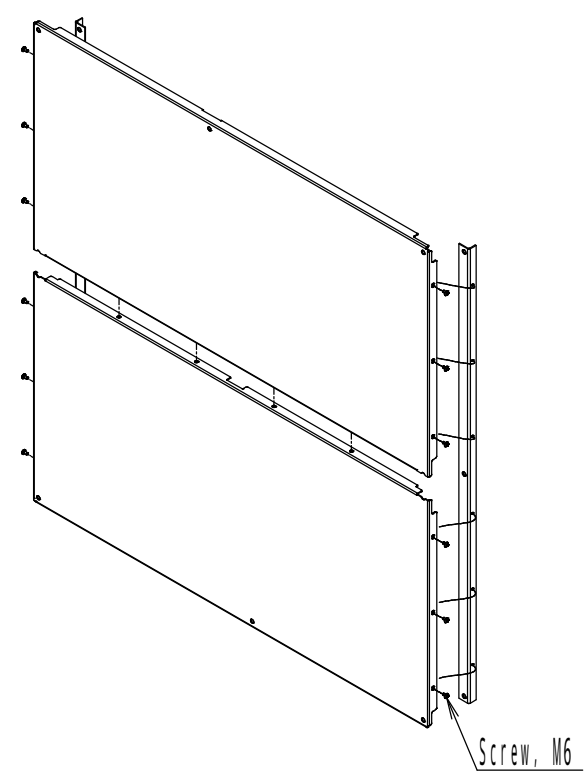
Enclosure specification		Model	E50-1620A							
Type	Indoor use, Floor standing, E50-1620A	Drawing A3 scale	Scale	1:25	Design	INOUE	Draw	NGUYEN	Check	SUZUKI
Body	Steel t2.3									
Door	Steel t2.3									
Mounting plate	Steel t2.3									1/3
Color	Standard / Light beige (5Y7/1)									
IP	IP4X									
Weight	282.0kg									
										Date: 25 / Mar. / 2021



Grid scale on entire surface

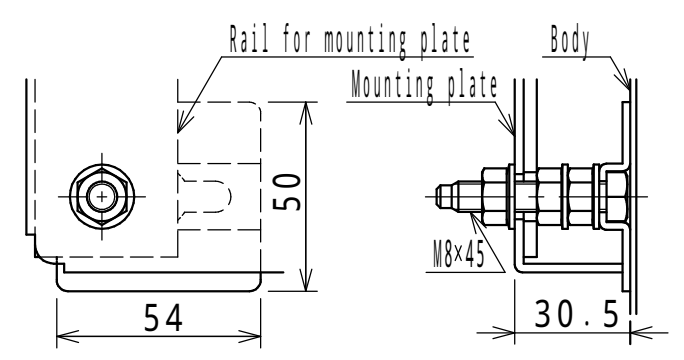


Detail G: Mounting plate(1:5)

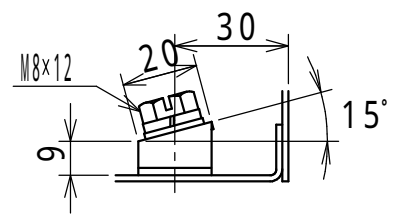
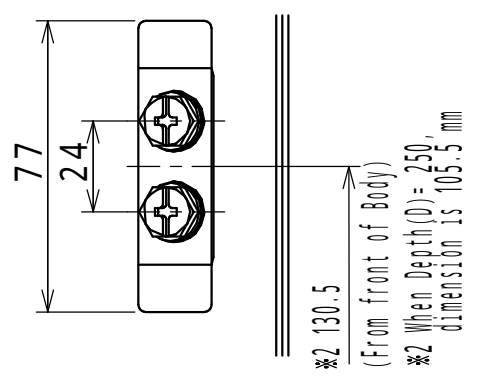


Mounting plate (Divided into top and bottom parts)

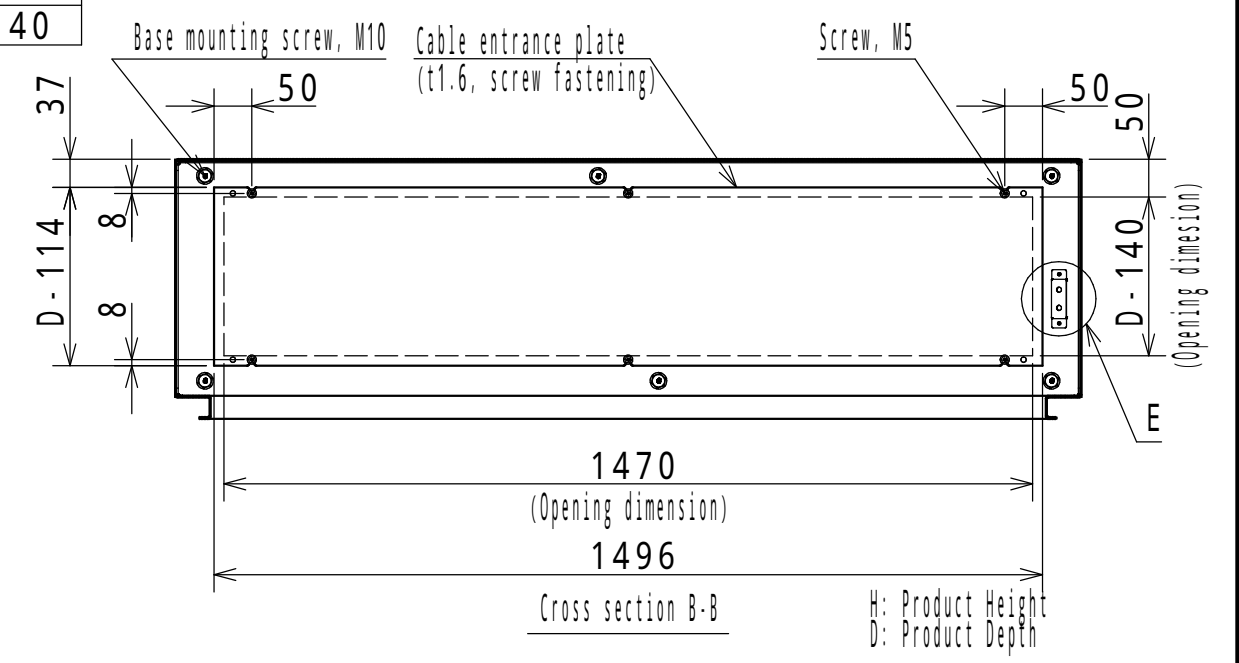
Product name	H	H1
E** - 1616A (C)	1480	1440
E** - 1618A (C)	1680	1640
E** - 1619A (C)	1780	1740
E** - 1620A (C)	1880	1840
E** - 1621A (C)	1980	1940
E** - 1623A (C)	2180	2140



Detail C: Mounting plate(1:2)

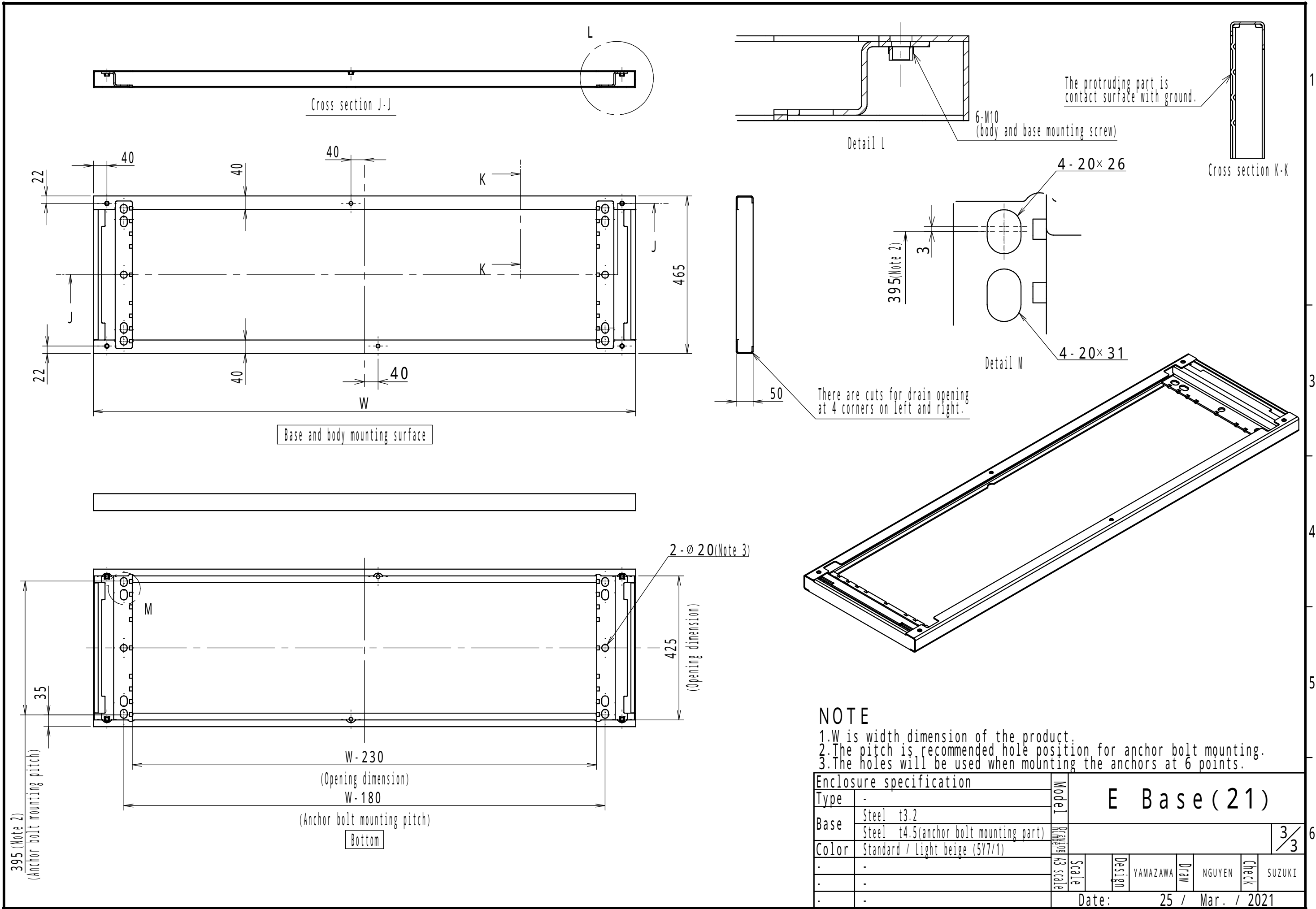


Detail E: Earth terminal(1:1)



Cross section B-B  
H: Product Height  
D: Product Depth

Model	Detail view E				
Revision					2/3
Scale	Design	ITOU	Draw	NGUYEN	Check
					SUZUKI
Date: 25 / Mar. / 2021					



Enclosure specification		Model	E Base (21)			
Type	-	Material	3/3			
Base	Steel t3.2	Color	Standard / Light beige (5Y7/1)			
	Steel t4.5 (anchor bolt mounting part)	Scale	Design	YAMAZAWA	Draw	NGUYEN
			Check	SUZUKI		
		Date:	25 / Mar. / 2021			