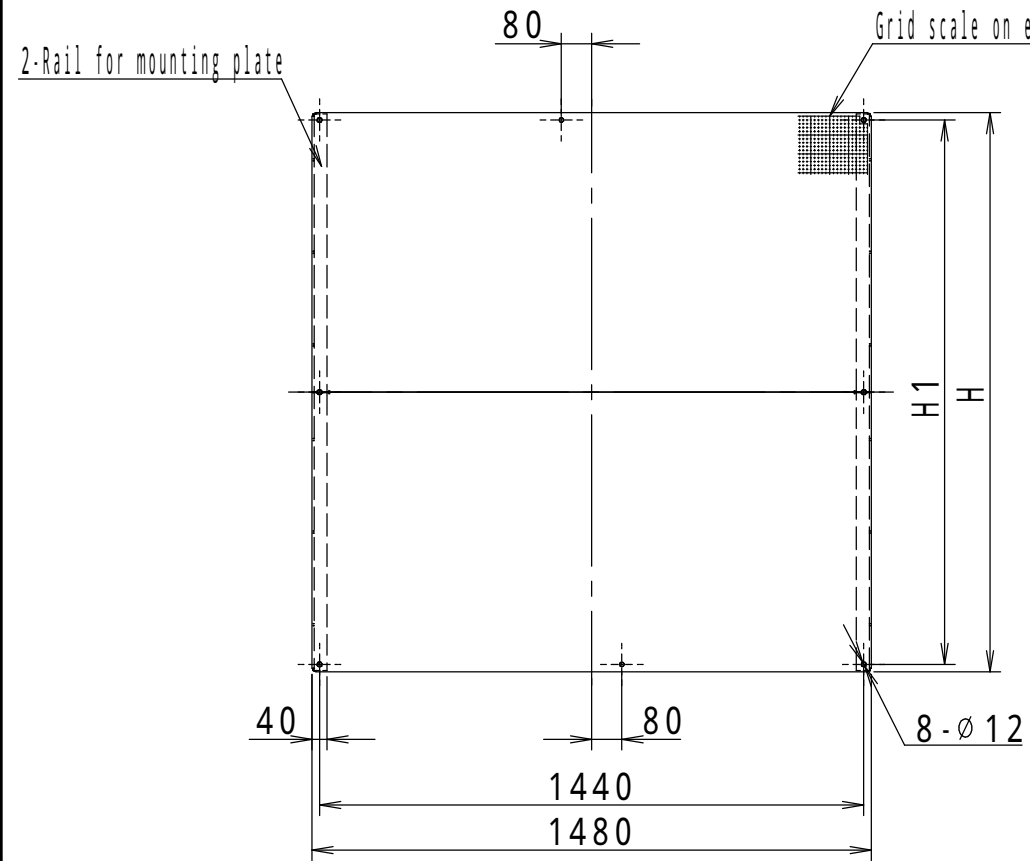


There is a bend (vertical direction) in center of rear side as shown in above drawing, so be careful when installing equipment.
Cross section F-F

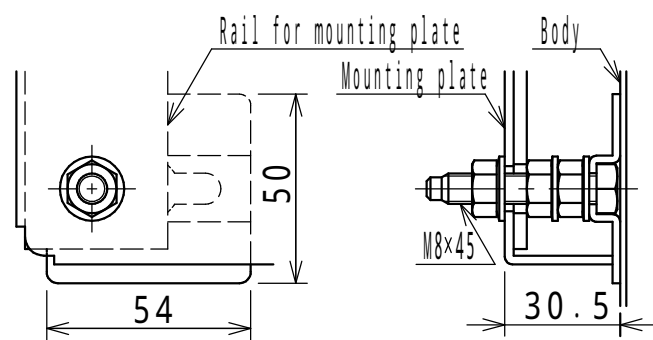
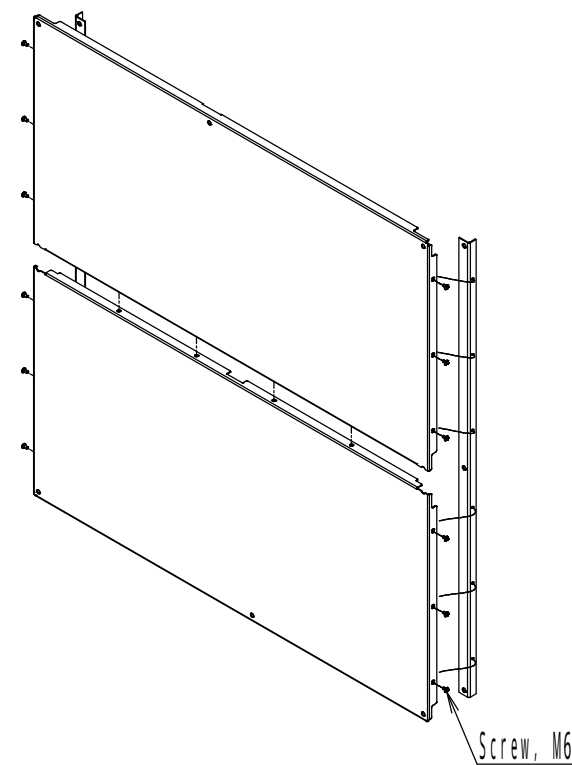
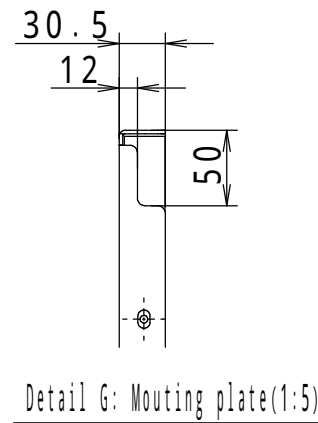
NOTE
1. The drawing holder is attached with screws.
Storage dimensions: W235 x H250 x thickness 38
2. Angle of eyebolt may vary depending on each enclosure.

Enclosure specification		Model	E50-1623A						
Type	Indoor use, Floor standing, E50-1623A	Drawing A3 scale	1/3						
Body	Steel t2.3								
Door	Steel t2.3								
Mounting plate	Steel t2.3	Scale	1:25	Design	INOUE	Draw	NGUYEN	Check	SUZUKI
Color	Standard / Light beige (5Y7/1)	Date: 25 / Mar. / 2021							
IP	IP4X								
Weight	316.0 kg								

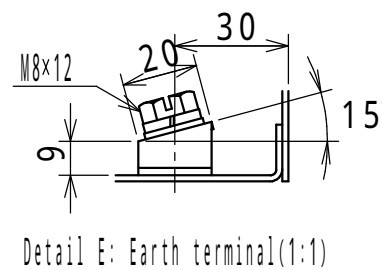
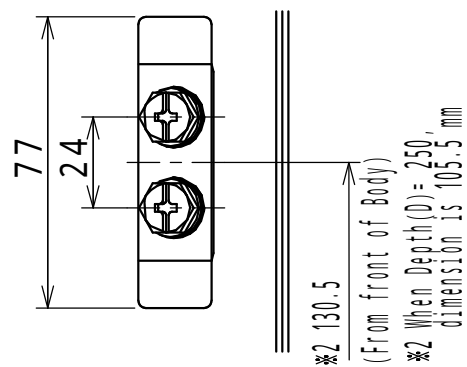


Mounting plate (Divided into top and bottom parts)

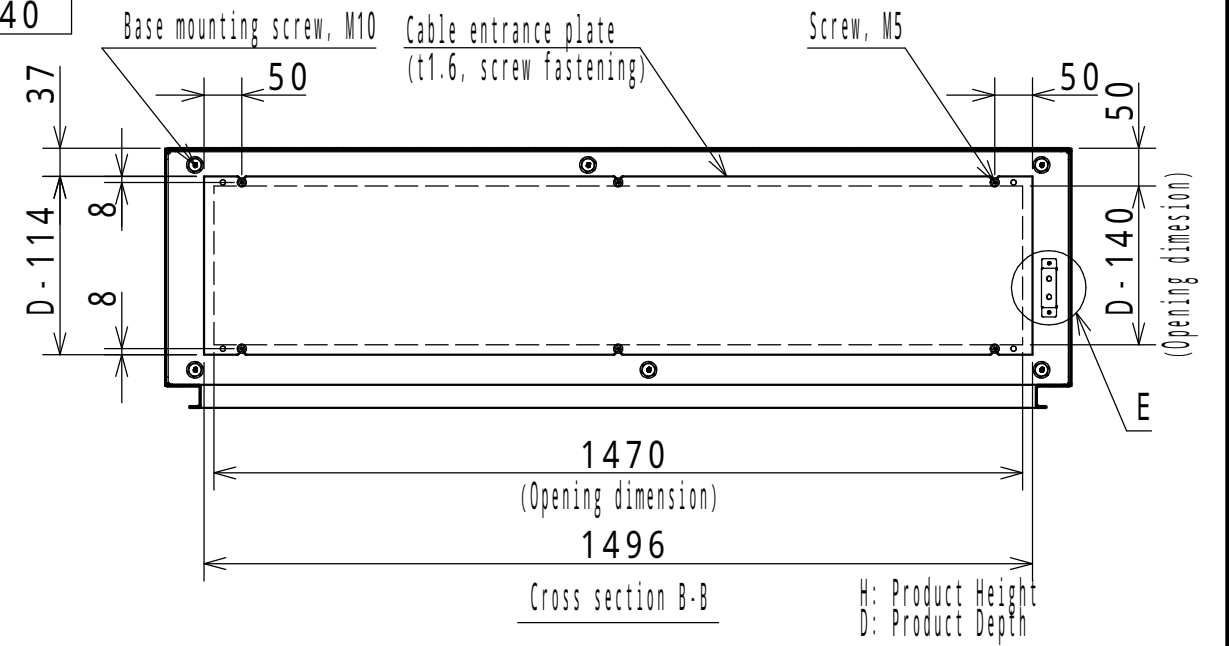
Product name	H	H1
E** - 1616A (C)	1480	1440
E** - 1618A (C)	1680	1640
E** - 1619A (C)	1780	1740
E** - 1620A (C)	1880	1840
E** - 1621A (C)	1980	1940
E** - 1623A (C)	2180	2140



Detail C: Mounting plate(1:2)

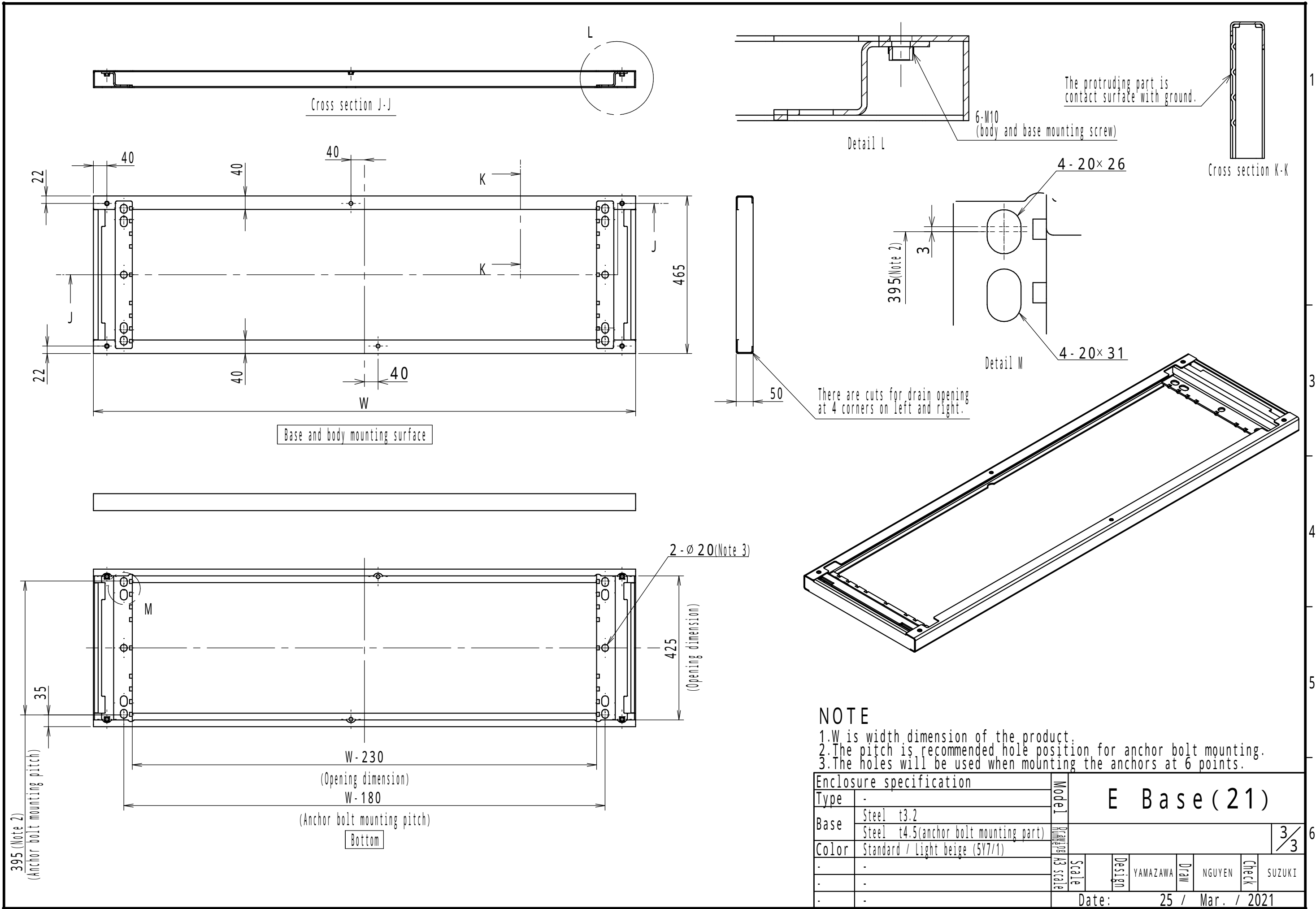


Detail E: Earth terminal(1:1)



Cross section B-B
H: Product Height
D: Product Depth

Model	Detail view E				
Revision					2/3
Scale	Design	ITOU	Draw	NGUYEN	Check SUZUKI
Date: 25 / Mar. / 2021					



Enclosure specification		Model	E Base (21)			
Type	-	Material	3/3			
Base	Steel t3.2	Color	Standard / Light beige (5Y7/1)			
	Steel t4.5 (anchor bolt mounting part)	Scale	Design	YAMAZAWA	Draw	NGUYEN
			Check	SUZUKI		
		Date:	25 / Mar. / 2021			