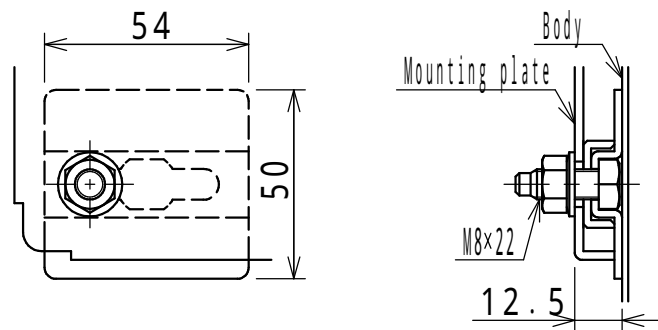


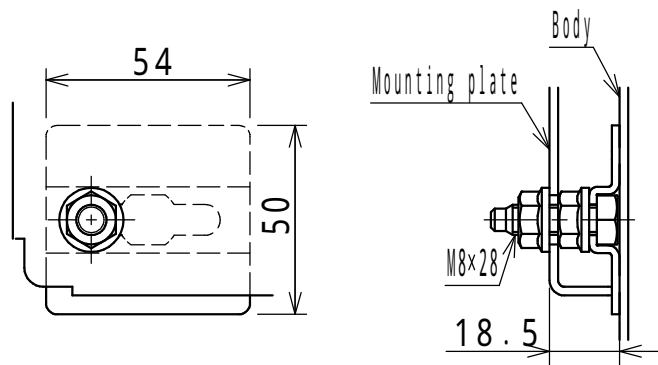
NOTE

1. The drawing holder is attached with screws.
Storage dimensions: W235 x H250 x thickness 38
2. Eyebolts are not assembled to body, they are attached as accessories.
3. When installing Wiring supporting rail for the door, Please select EX-7HRL.

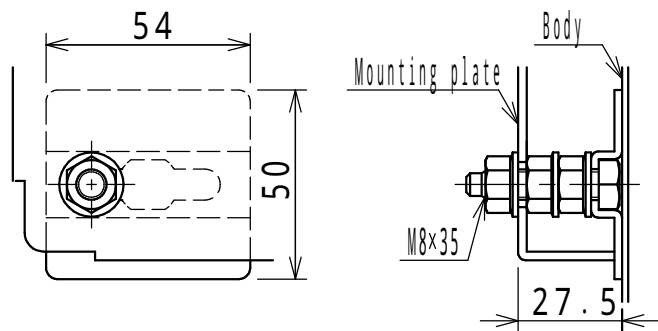
| Enclosure specification | | Model | E50-712A | | | | | | |
|-------------------------|--------------------------------------|---------------------|-------------------|--------|--------|------|--------|-------|--------|
| Type | Indoor use, Floor standing, E50-712A | Drawing A3 scale | 1/3 | | | | | | |
| Body | Steel t2.3 | | | | | | | | |
| Door | Steel t2.3 | | | | | | | | |
| Mounting plate | Steel t2.3 | Scale | 1:20 | Design | SUZUKI | Draw | NGUYEN | Check | SUZUKI |
| Color | Standard / Light beige (5Y7/1) | IP | IP5X (Category 2) | | | | | | |
| Weight | 91.0kg | Date: | 25 / Mar. / 2021 | | | | | | |



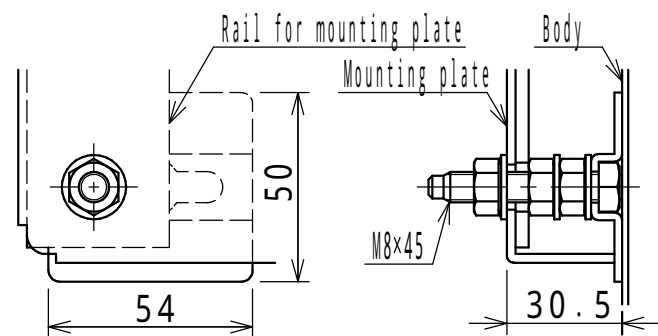
H ≤ 900mm



1000mm ≤ H ≤ 1900mm

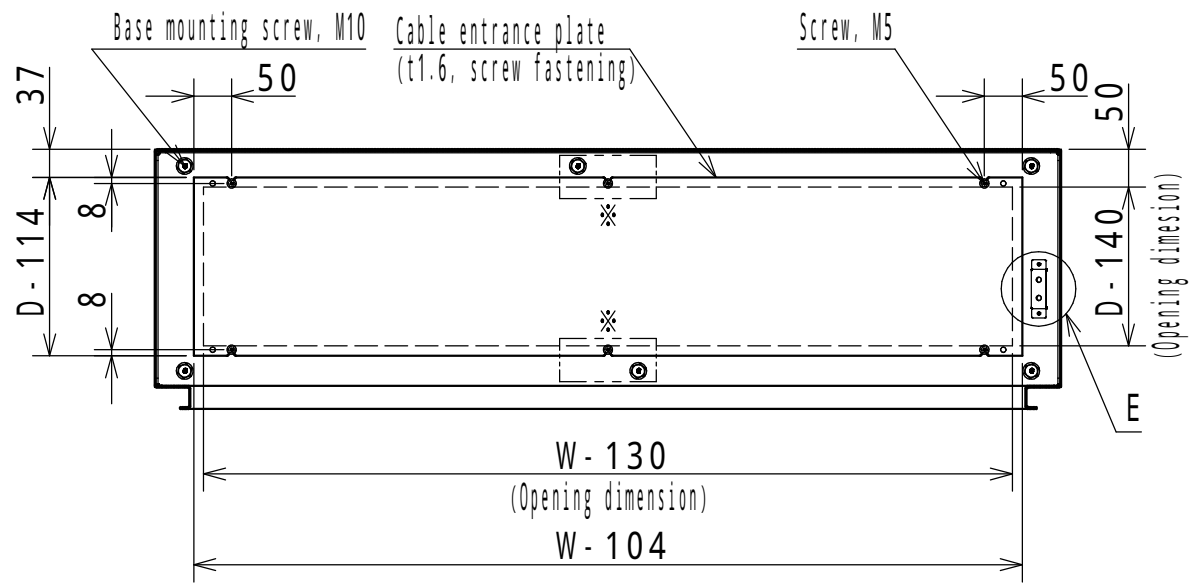


2000mm ≤ H



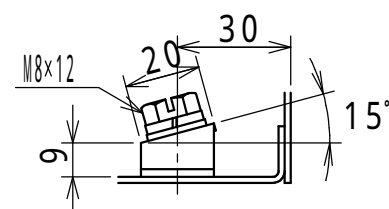
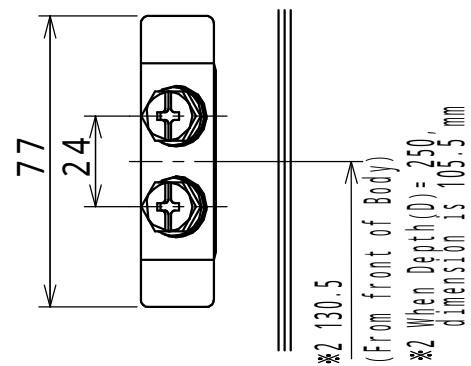
E25-1619A
E35-1616A, 1618A, 1619A, 1620A, 1621A
E40-1616A, 1618A, 1619A, 1620A, 1621A
E50-1616A, 1618A, 1619A, 1620A, 1621A, 1623A

Detail C: Mounting plate installation(1:2)



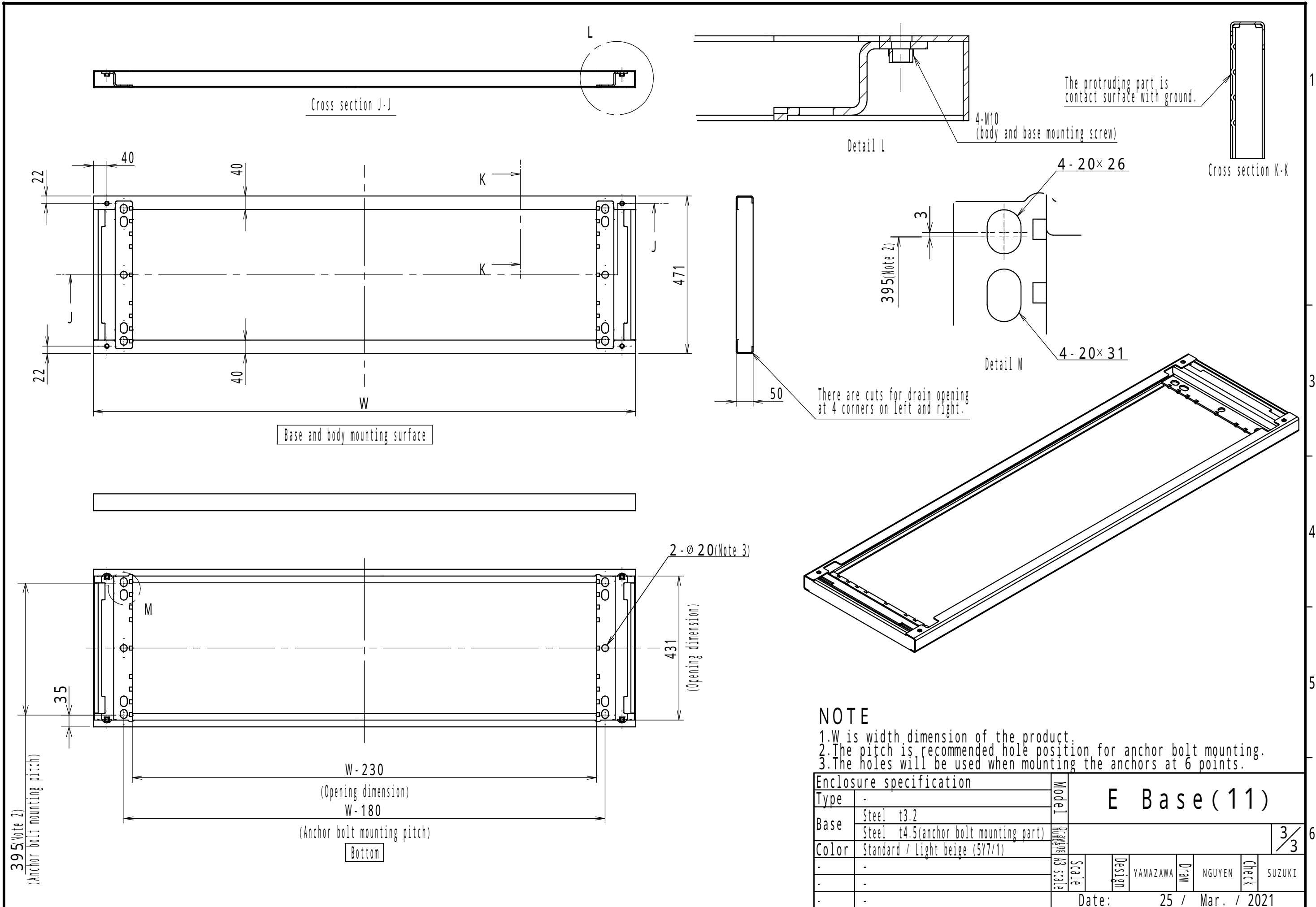
Cross section B-B

* The holes are for W ≥ 1400mm only.
W: Product Width
H: Product Height
D: Product Depth



Detail E: Earth terminal(1:2)

| | | | | | |
|------------------------|---------------|------|------|--------|--------------|
| Model | Detail view E | | | | |
| Revision | | | | | 2/3 |
| Scale | Design | ITOU | Draw | NGUYEN | Check SUZUKI |
| Date: 25 / Mar. / 2021 | | | | | |



| | | | | | | |
|-------------------------|--|----------|-------------|----------|------|--------|
| Enclosure specification | | Model | E Base (11) | | | |
| Type | - | Material | 3/3 | | | |
| Base | Steel t3.2 Steel t4.5 (anchor bolt mounting part) | Scale | Design | YAMAZAWA | Draw | NGUYEN |
| Color | Standard / Light beige (5Y7/1) | Check | SUZUKI | | | |
| Date: 25 / Mar. / 2021 | | | | | | |