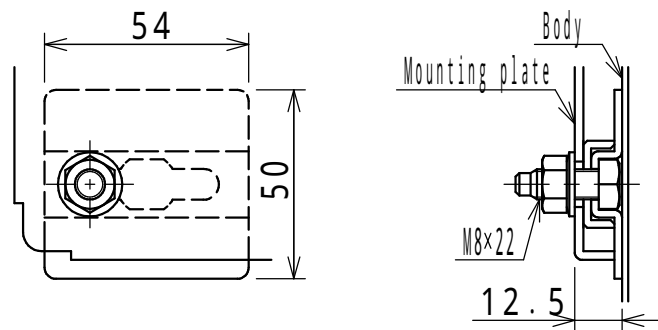


There is a bend (vertical direction) in center of rear side as shown in above drawing, so be careful when installing equipment.  
Cross section F-F

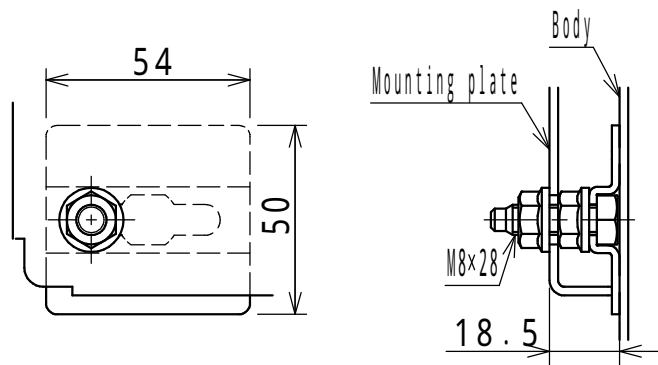
**NOTE**

1. The drawing holder is attached with screws.  
Storage dimensions: W235 x H250 x thickness 38
2. Angle of eyebolt may vary depending on each enclosure.

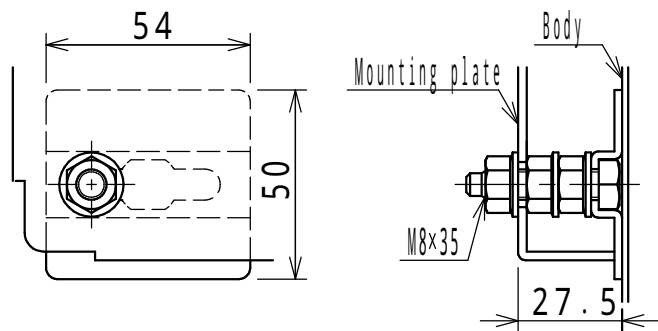
| Enclosure specification |                                      | Model               | E50-720A         |        |       |      |        |       |        |
|-------------------------|--------------------------------------|---------------------|------------------|--------|-------|------|--------|-------|--------|
| Type                    | Indoor use, Floor standing, E50-720A | Drawing<br>A3 scale | 1/3              |        |       |      |        |       |        |
| Body                    | Steel t2.3                           |                     |                  |        |       |      |        |       |        |
| Door                    | Steel t2.3                           |                     |                  |        |       |      |        |       |        |
| Mounting plate          | Steel t2.3                           | Scale               | 1:25             | Design | INOUE | Draw | NGUYEN | Check | SUZUKI |
| Color                   | Standard / Light beige (5Y7/1)       | Date:               | 25 / Mar. / 2021 |        |       |      |        |       |        |
| IP                      | IP5X (Category 2)                    |                     |                  |        |       |      |        |       |        |
| Weight                  | 142.0 kg                             |                     |                  |        |       |      |        |       |        |



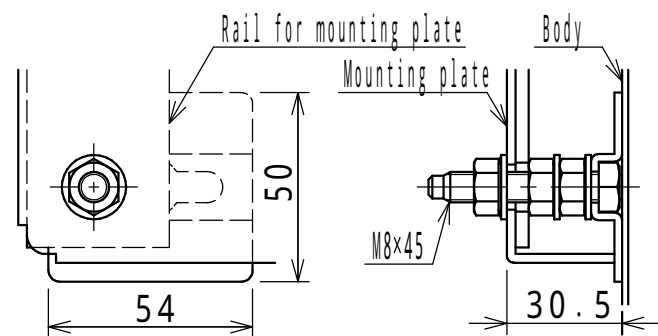
H ≤ 900mm



1000mm ≤ H ≤ 1900mm

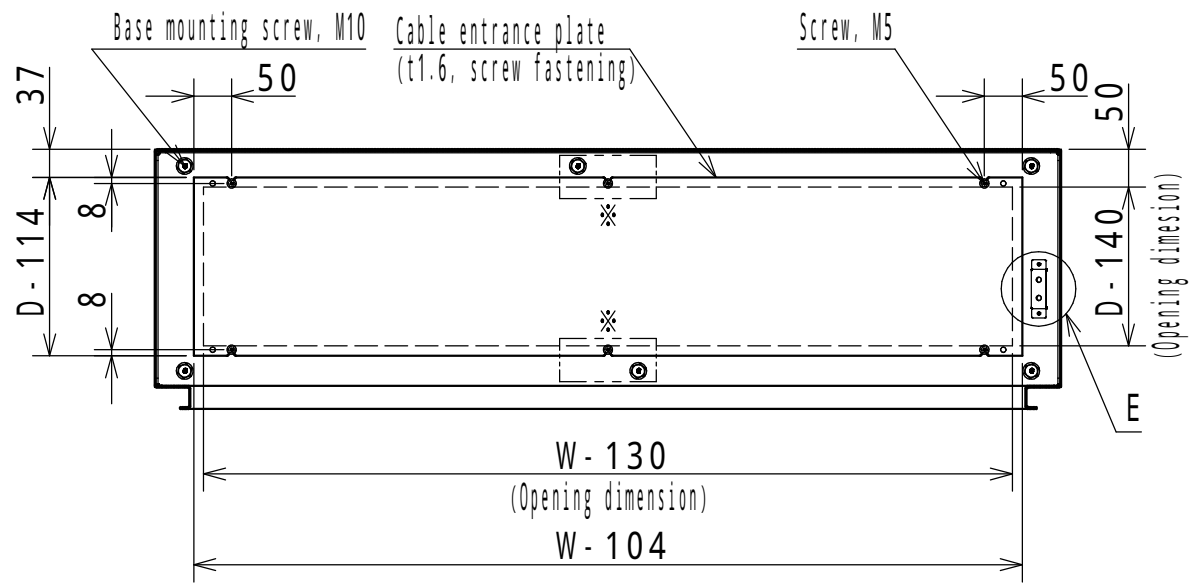


2000mm ≤ H



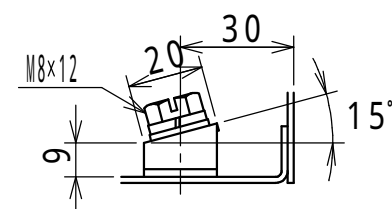
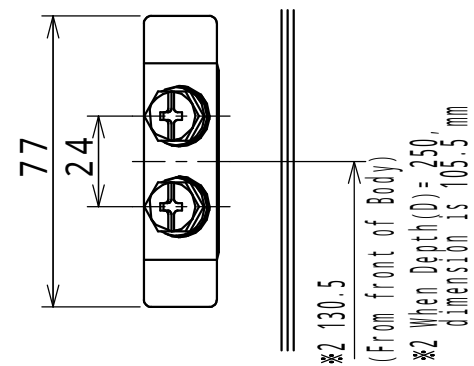
E25-1619A  
E35-1616A, 1618A, 1619A, 1620A, 1621A  
E40-1616A, 1618A, 1619A, 1620A, 1621A  
E50-1616A, 1618A, 1619A, 1620A, 1621A, 1623A

Detail C: Mounting plate installation(1:2)



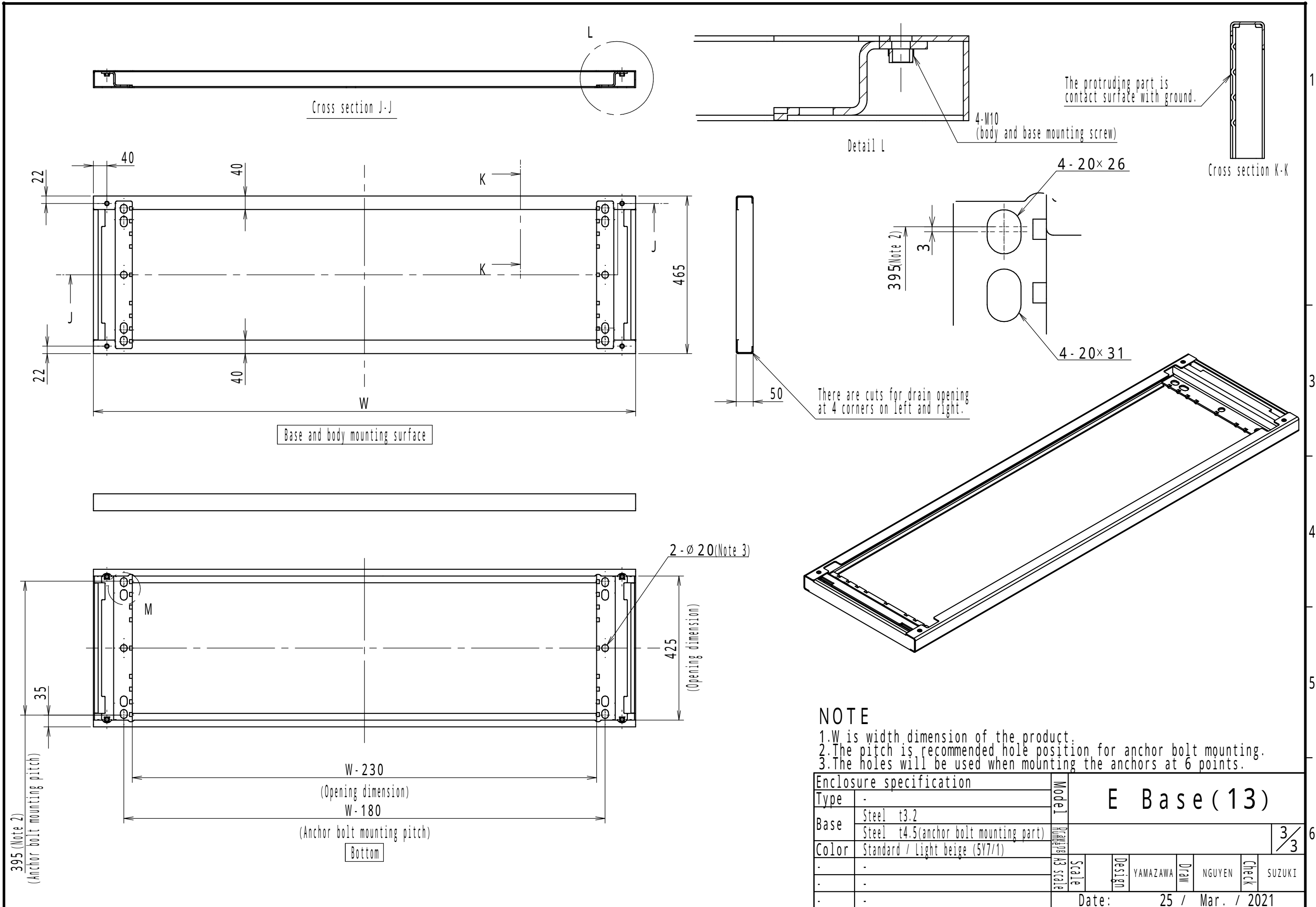
Cross section B-B

\* The holes are for W ≥ 1400mm only.  
W: Product Width  
H: Product Height  
D: Product Depth



Detail E: Earth terminal(1:2)

|                        |               |      |      |        |              |
|------------------------|---------------|------|------|--------|--------------|
| Model                  | Detail view E |      |      |        |              |
| Revision               |               |      |      |        | 2/3          |
| Scale                  | Design        | ITOU | Draw | NGUYEN | Check SUZUKI |
| Date: 25 / Mar. / 2021 |               |      |      |        |              |



|                         |                                       |          |                  |      |        |       |
|-------------------------|---------------------------------------|----------|------------------|------|--------|-------|
| Enclosure specification |                                       | Model    | E Base (13)      |      |        |       |
| Type                    | -                                     | Material | 3/3              |      |        |       |
| Base                    | Steel t3.2                            | Scale    | -                |      |        |       |
|                         | Steel t4.5(anchor bolt mounting part) | Design   | YAMAZAWA         | Draw | NGUYEN | Check |
| Color                   | Standard / Light beige (5Y7/1)        | Scale    | SUZUKI           |      |        |       |
| -                       |                                       | Date:    | 25 / Mar. / 2021 |      |        |       |