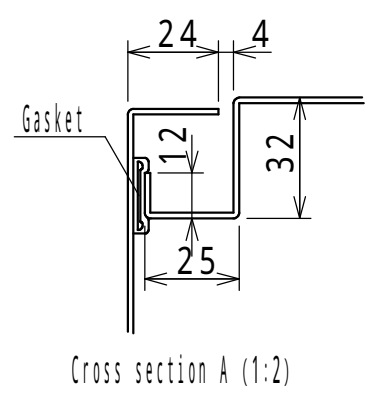
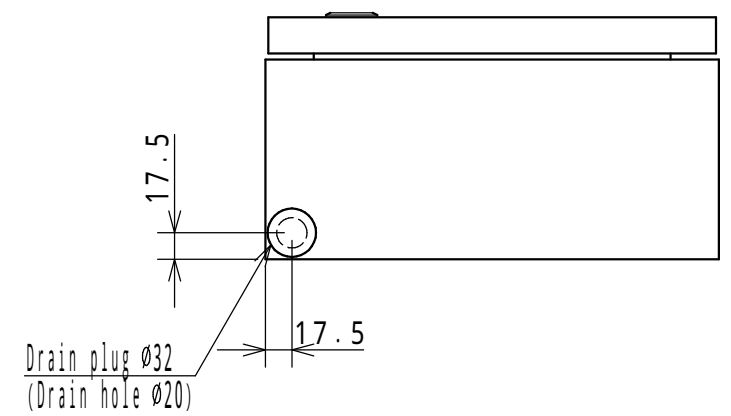
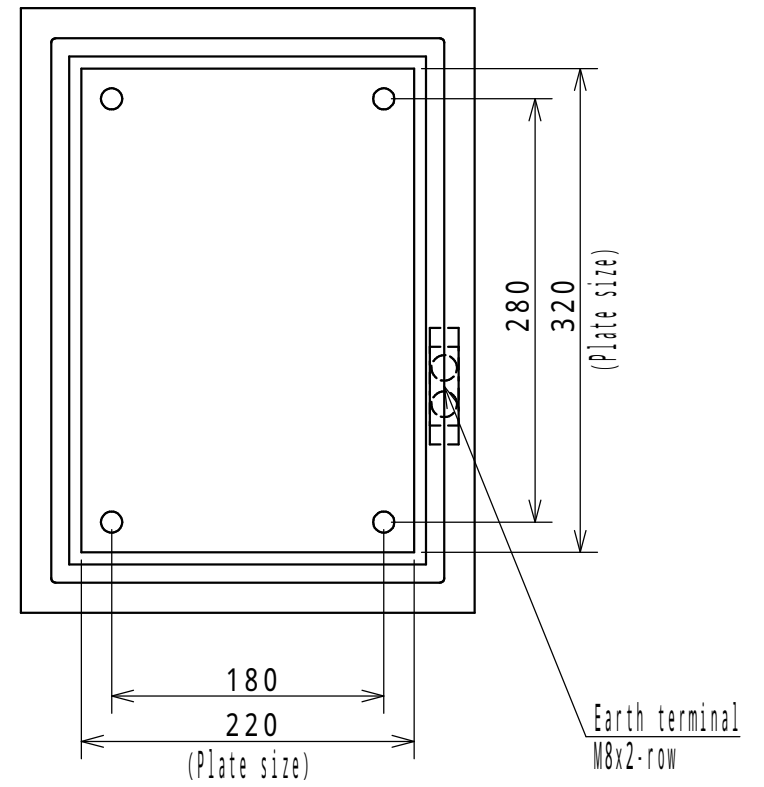
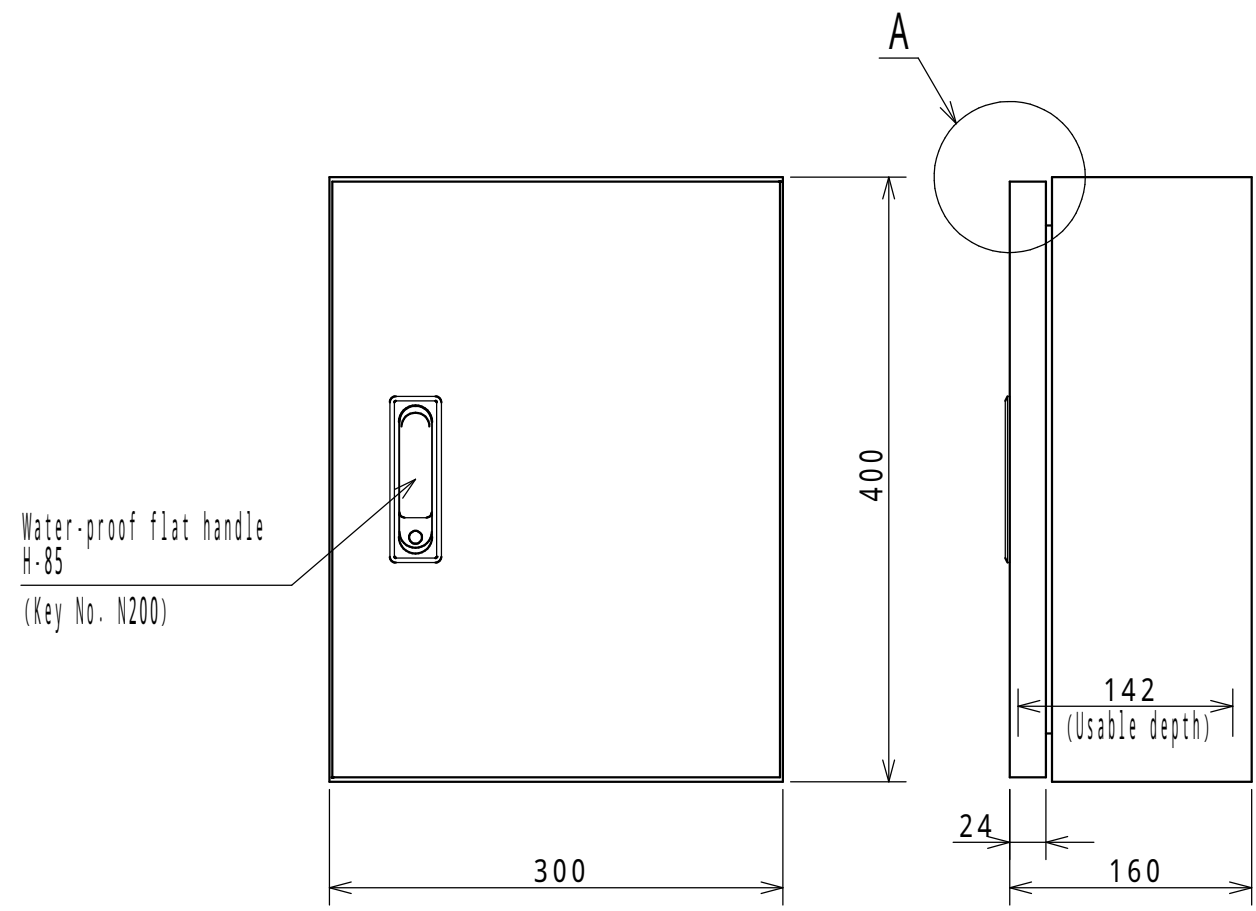
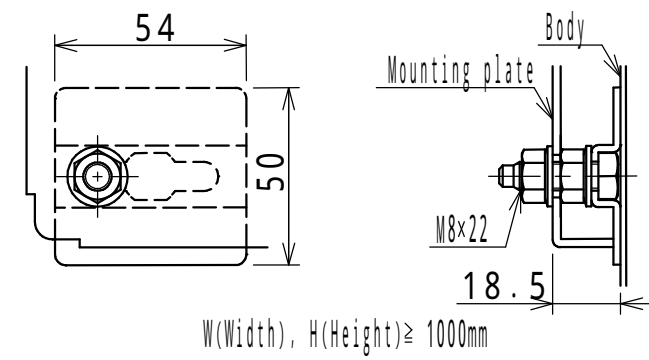
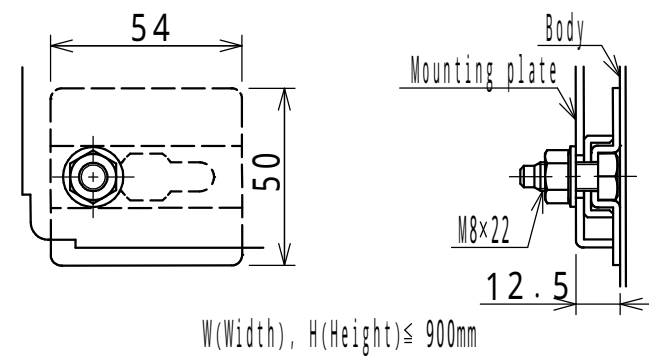


Accessory List			
Parts name	Remarks	Qty	
Earth Bolt M8 × 12	For Earth terminal	2	
Key (Key No. N200)	For Handle	1	

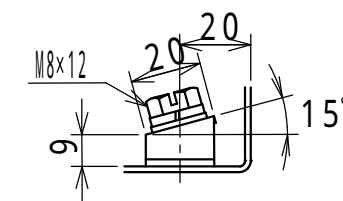
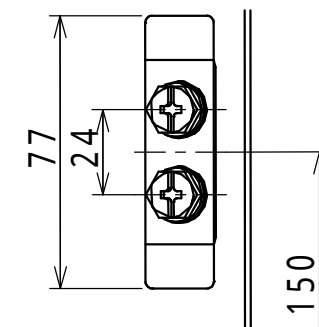


**NOTE**  
 1. The door opening angle is approximately 103°.  
 2. The usable depth of both doors fitting section is 43 mm deeper than the usable depth in drawing.

Enclosure specification				Model							
Type	Indoor / outdoor use, RA16-34			RA 16 - 34							
Body	Steel	t 1.6		1/2							
Door	Steel	t 1.6									
Mounting plate	Steel	t 2.3									
Color	Standard / Light beige (5Y7/1)			Scale	1:5	Design	ITOU	Draw	NGUYEN	Check	SUZUKI
IP	IP54 (Category 2)			Date: 25 / Mar. / 2021							
Weight	8.4 kg										



Detail B: Mounting plate installation (1:2)



Detail C: Earth terminal(1:2)

Model	Detail view RA				
Number					2/2
A3 scale	Scale	Design	ITOU	Draw	NGUYEN
					Check
					SUZUKI
Date:		25 / Mar. / 2021			