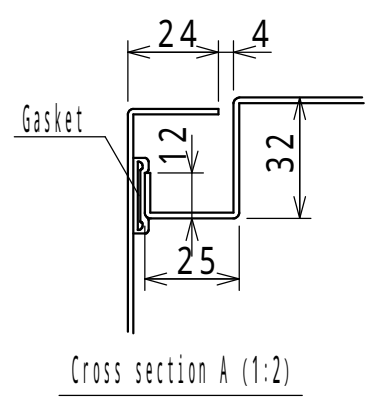
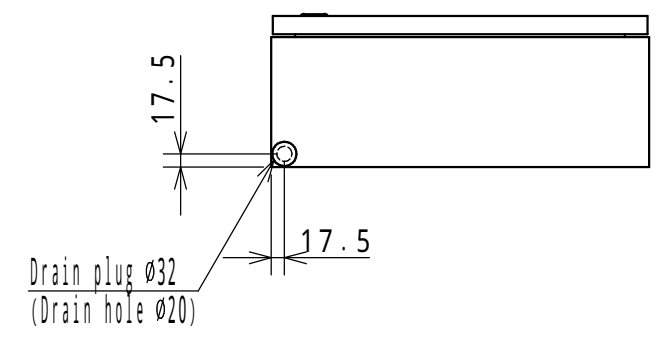
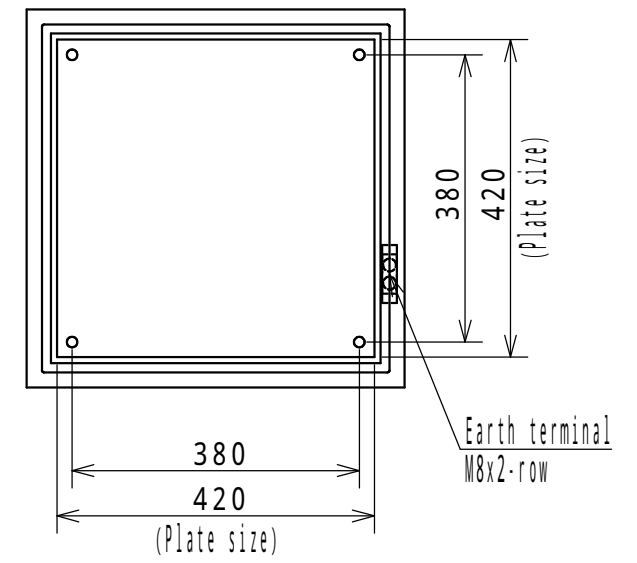
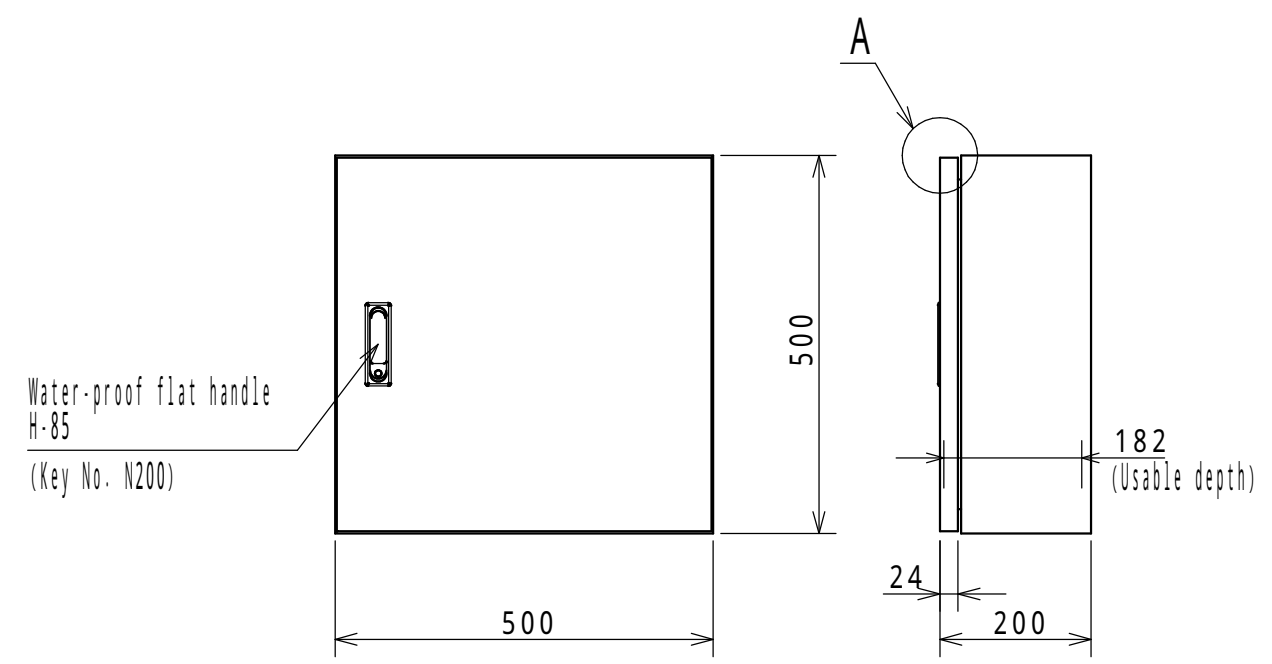
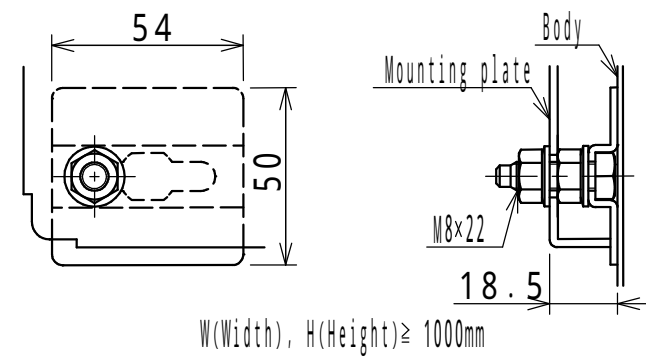
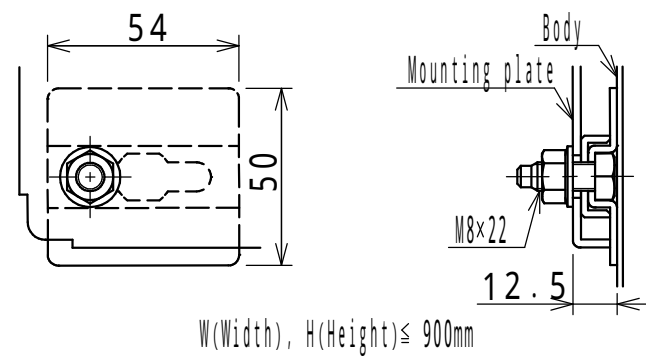
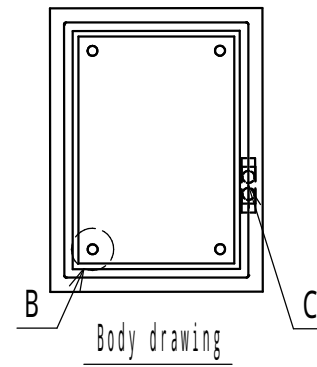


| Accessory List     |                    |     |
|--------------------|--------------------|-----|
| Parts name         | Remarks            | Qty |
| Earth Bolt M8 × 12 | For Earth terminal | 2   |
| Key (Key No. N200) | For Handle         | 1   |

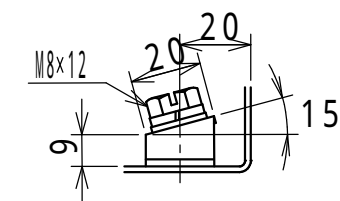
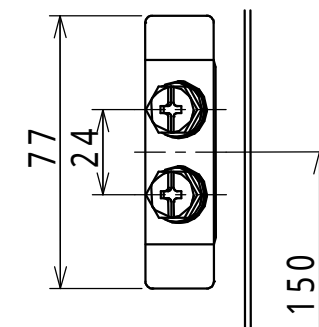


**NOTE**  
 1. The door opening angle is approximately 103°.  
 2. The usable depth of both doors fitting section is 43 mm deeper than the usable depth in drawing.

| Enclosure specification |                                | Model                  |         | RA20-55 |      |      |        |       |        |
|-------------------------|--------------------------------|------------------------|---------|---------|------|------|--------|-------|--------|
| Type                    | Indoor / outdoor use, RA20-55  | Model                  | Drawing | 1/2     |      |      |        |       |        |
| Body                    | Steel t 1.6                    |                        |         |         |      |      |        |       |        |
| Door                    | Steel t 1.6                    |                        |         |         |      |      |        |       |        |
| Mounting plate          | Steel t 2.3                    | Scale                  | 1:10    | Design  | ITOU | Draw | NGUYEN | Check | SUZUKI |
| Color                   | Standard / Light beige (5Y7/1) |                        |         |         |      |      |        |       |        |
| IP                      | IP54 (Category 2)              |                        |         |         |      |      |        |       |        |
| Weight                  | 16.3 kg                        | Date: 25 / Mar. / 2021 |         |         |      |      |        |       |        |



Detail B: Mounting plate installation (1:2)



Detail C: Earth terminal(1:2)

|                        |                |        |      |      |        |
|------------------------|----------------|--------|------|------|--------|
| Model                  | Detail view RA |        |      |      |        |
| Number                 |                |        |      |      | 2/2    |
| A3 scale               | Scale          | Design | ITOU | Draw | NGUYEN |
|                        |                |        |      |      | Check  |
|                        |                |        |      |      | SUZUKI |
| Date: 25 / Mar. / 2021 |                |        |      |      |        |