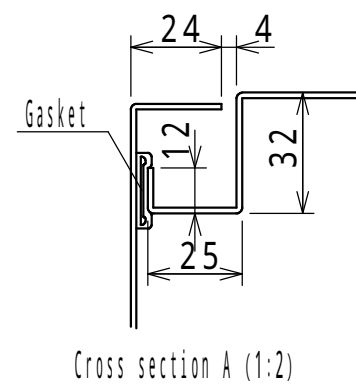
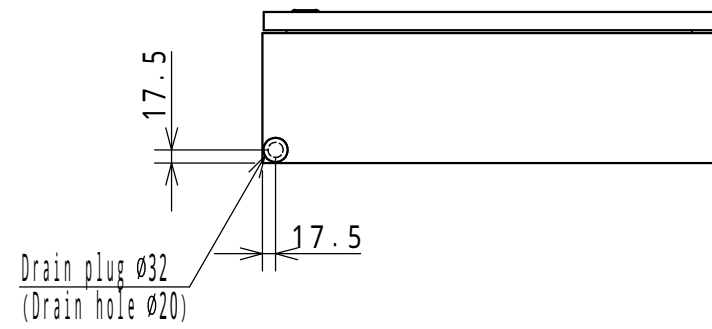
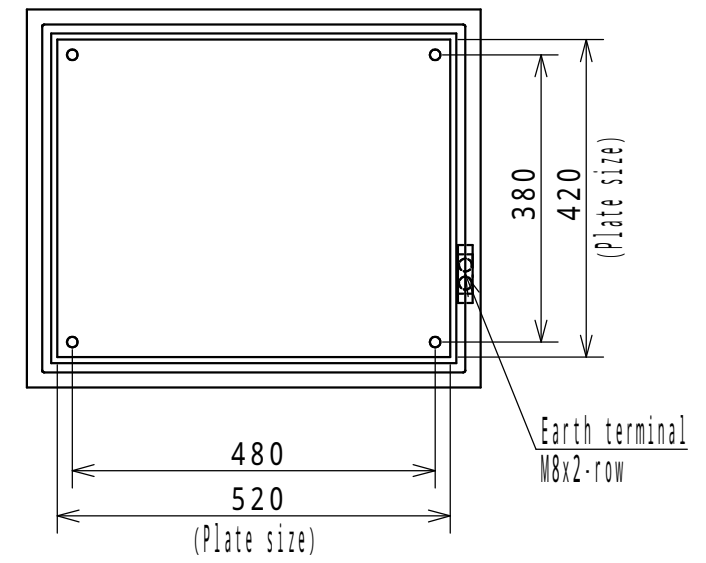
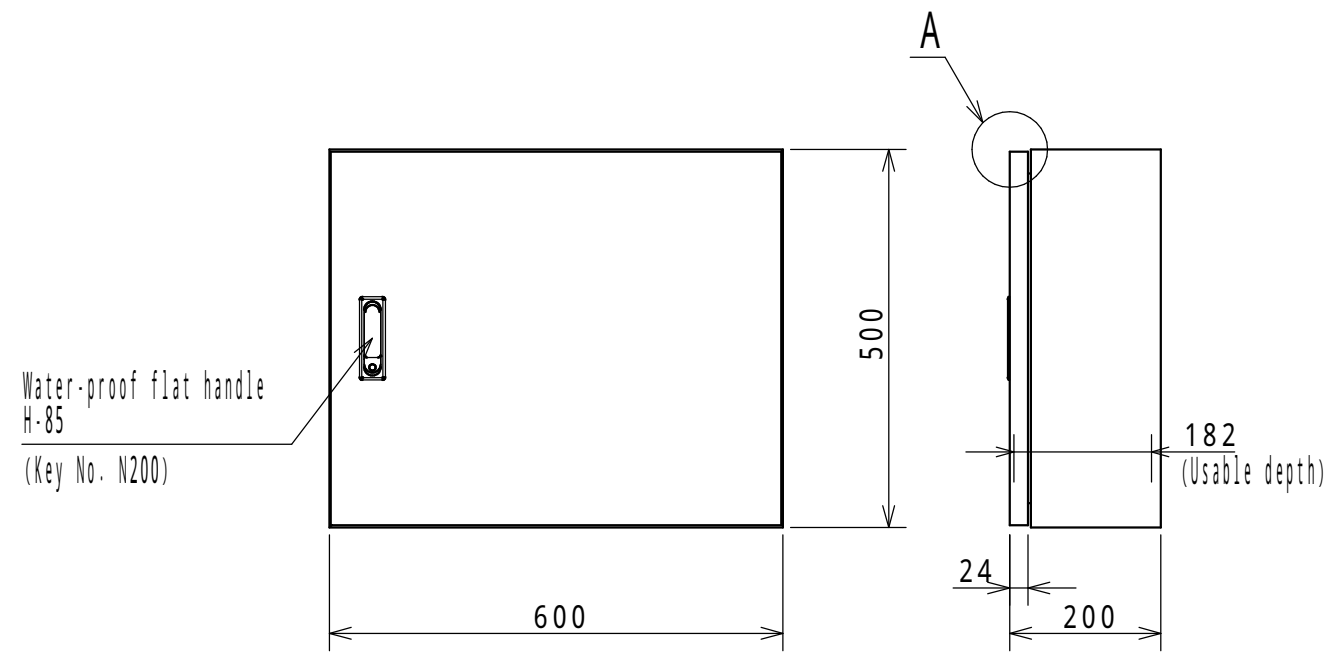


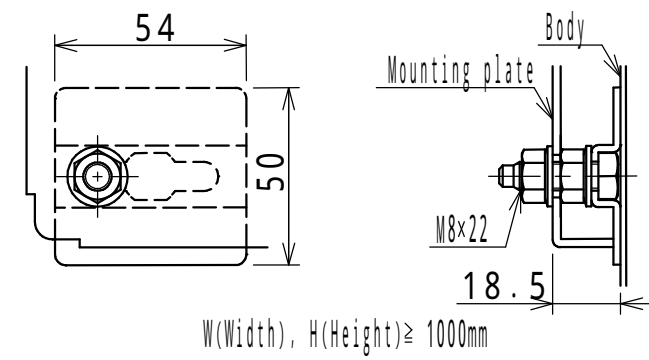
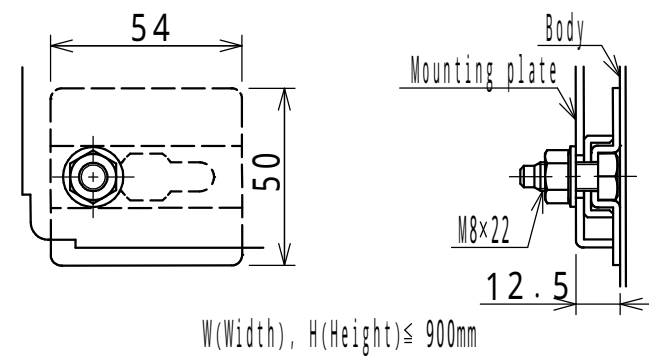
| Accessory List | | |
|--------------------|--------------------|-----|
| Parts name | Remarks | Qty |
| Earth Bolt M8 × 12 | For Earth terminal | 2 |
| Key (Key No. N200) | For Handle | 1 |



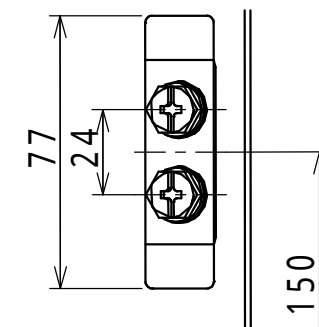
NOTE

1. The door opening angle is approximately 103°.
2. The usable depth of both doors fitting section is 43 mm deeper than the usable depth in drawing.

| Enclosure specification | | Model | RA 20 - 65 | | | | | | |
|-------------------------|--------------------------------|------------------------|------------|--------|------|------|--------|-------|--------|
| Type | Indoor / outdoor use, RA20-65 | Drawing A3 scale | 1/2 | | | | | | |
| Body | Steel t 1.6 | | | | | | | | |
| Door | Steel t 1.6 | | | | | | | | |
| Mounting plate | Steel t 2.3 | Scale | 1:10 | Design | ITOU | Draw | NGUYEN | Check | SUZUKI |
| Color | Standard / Light beige (5Y7/1) | Date: 25 / Mar. / 2021 | | | | | | | |
| IP | IP54 (Category 2) | | | | | | | | |
| Weight | 19.0 kg | | | | | | | | |



Detail B: Mounting plate installation (1:2)



Detail C: Earth terminal(1:2)

| | | | | | |
|----------|----------------|------------------|------|------|--------|
| Model | Detail view RA | | | | |
| Number | | | | | 2/2 |
| A3 scale | Scale | Design | ITOU | Draw | NGUYEN |
| | | | | | Check |
| | | | | | SUZUKI |
| Date: | | 25 / Mar. / 2021 | | | |