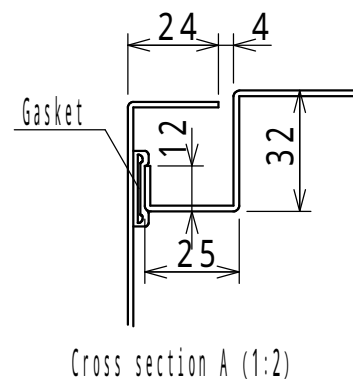
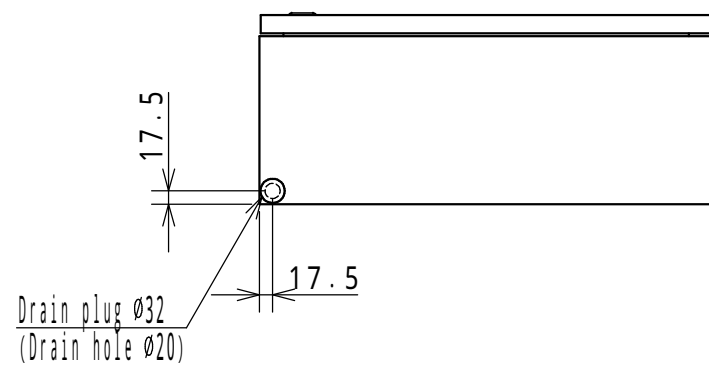
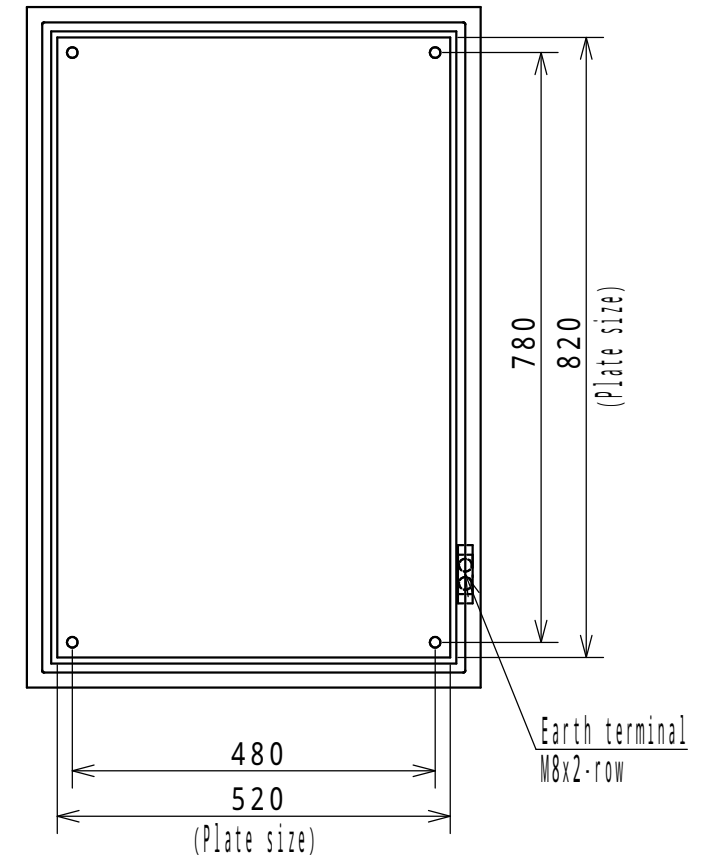
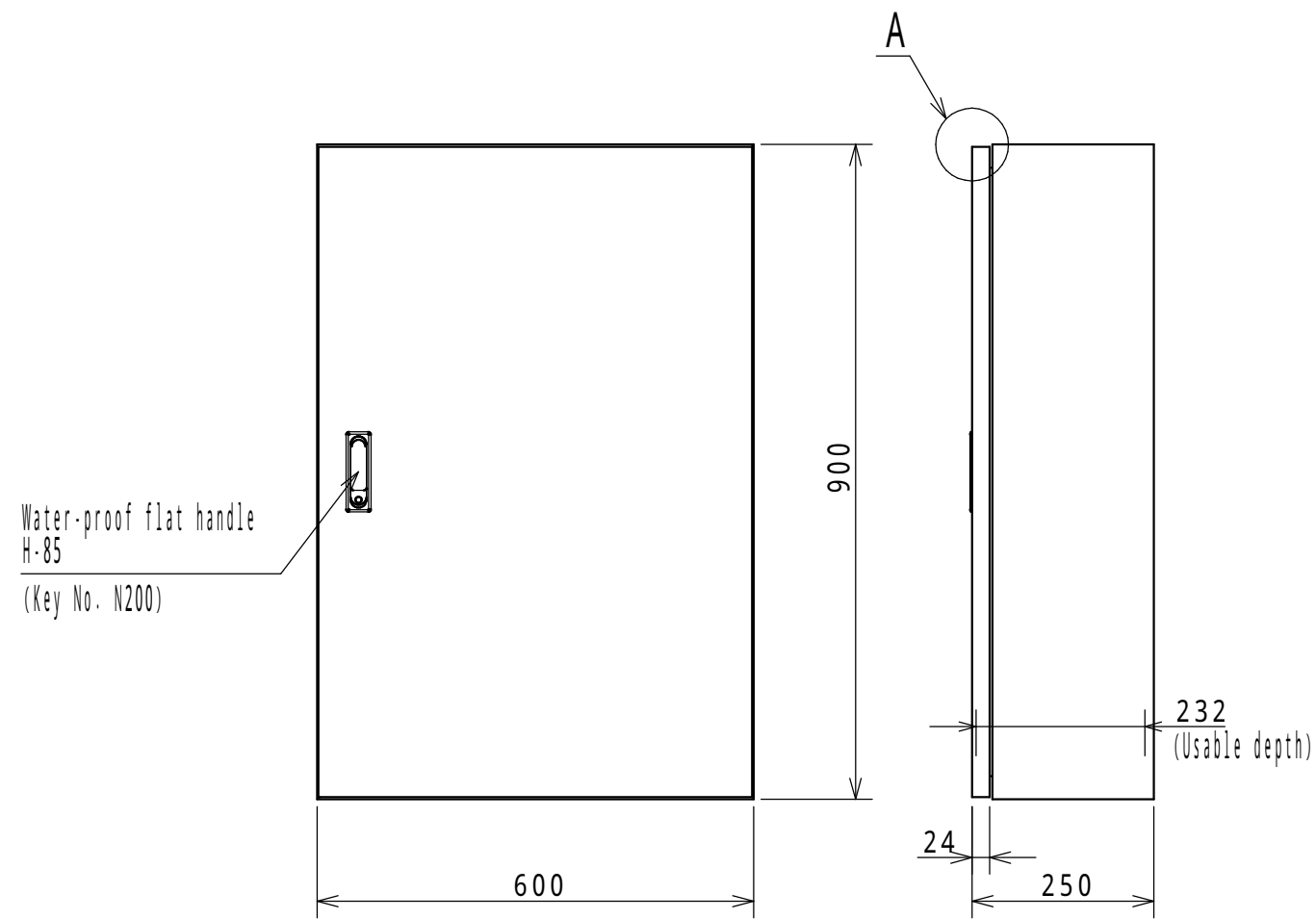


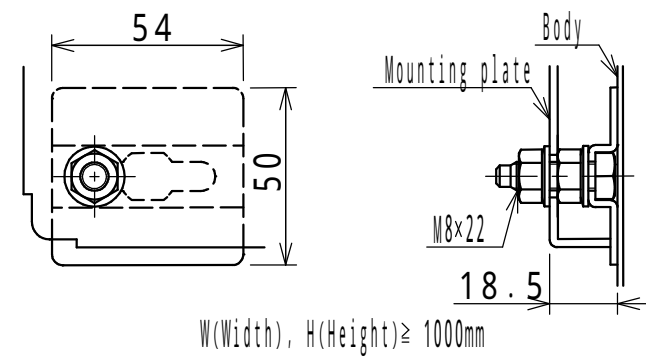
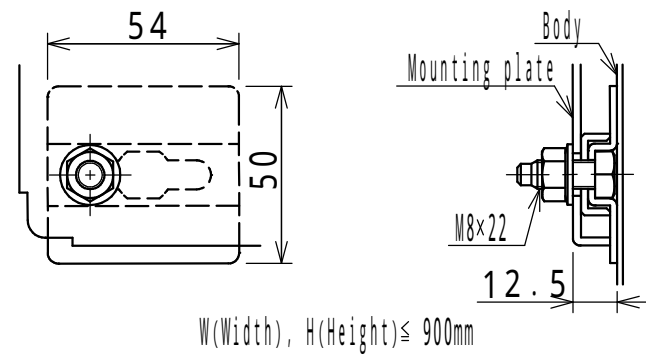
Accessory List			
Parts name	Remarks	Qty	
Earth Bolt M8 × 12	For Earth terminal	2	
Key (Key No. N200)	For Handle	1	



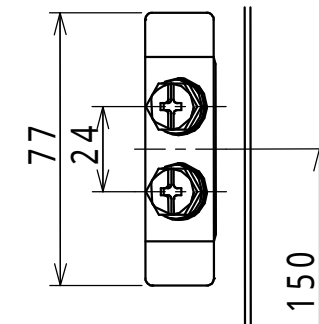
NOTE

1. The door opening angle is approximately 103°.
2. The usable depth of both doors fitting section is 43 mm deeper than the usable depth in drawing.

Enclosure specification			Model							
Type	Indoor / outdoor use, RA25-69		RA 25 - 69							
Body	Steel	t 1.6	Drawing	A3 scale			1/2			
Door	Steel	t 1.6								
Mounting plate	Steel	t 2.3								
Color	Standard / Light beige (5Y7/1)		Scale	1:10	Design	ITOU	Draw	NGUYEN	Check	SUZUKI
IP	IP54 (Category 2)		Date:	25 / Mar. / 2021						
Weight	33.3 kg									



Detail B: Mounting plate installation (1:2)



Detail C: Earth terminal(1:2)

Model	Detail view RA				
Number					2/2
A3 scale	Scale	Design	ITOU	Draw	NGUYEN
					Check
					SUZUKI
Date: 25 / Mar. / 2021					