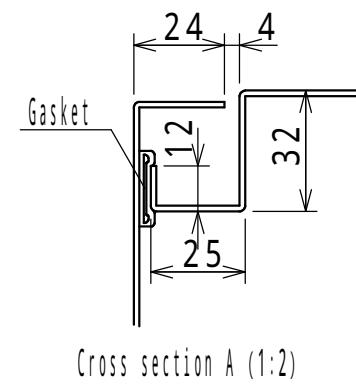
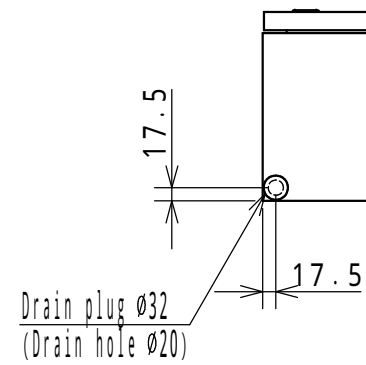
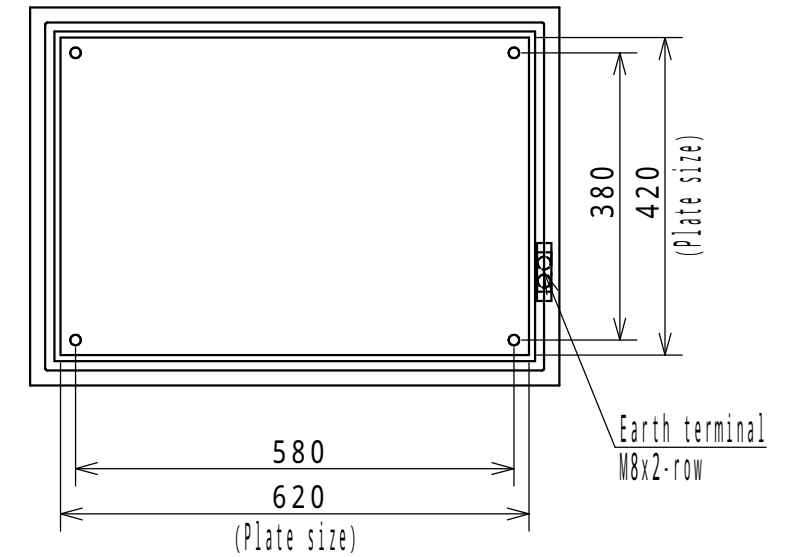
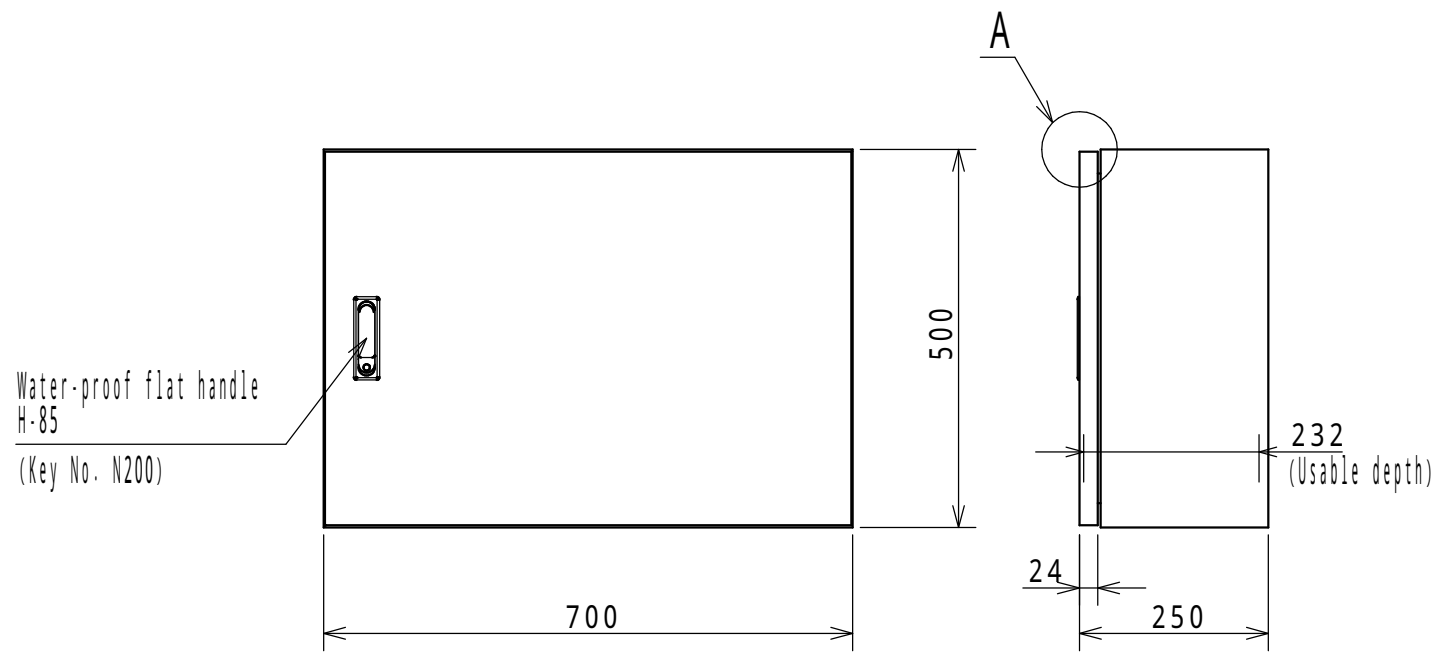


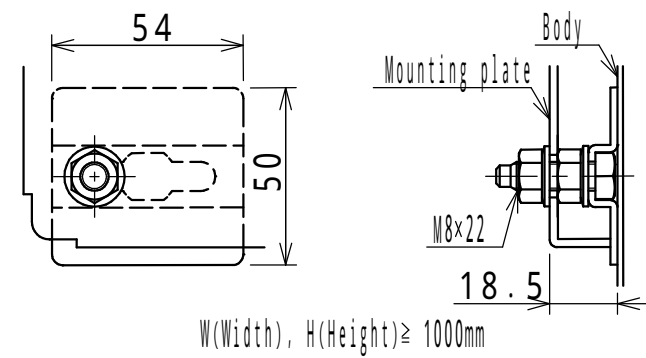
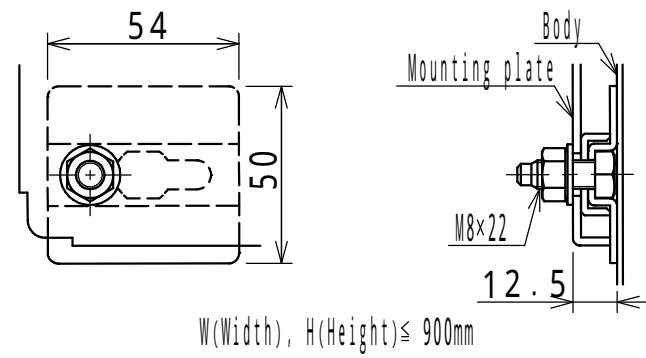
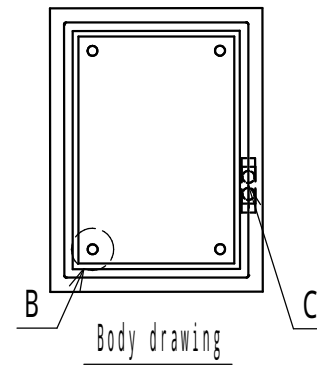
Accessory List		
Parts name	Remarks	Qty
Earth Bolt M8 × 12	For Earth terminal	2
Key (Key No. N200)	For Handle	1



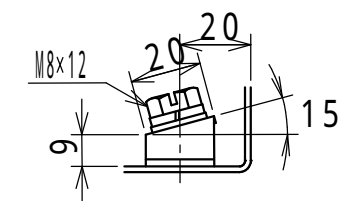
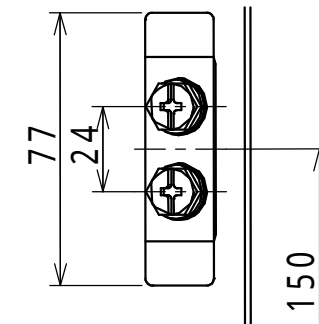
NOTE

1. The door opening angle is approximately 103°.
2. The usable depth of both doors fitting section is 43 mm deeper than the usable depth in drawing.

Enclosure specification			Model		RA25-75-1						
Type	Indoor / outdoor use, RA25-75-1		Model								
Body	Steel	t 1.6		Drawing							
Door	Steel	t 1.6			A3 scale						
Mounting plate	Steel	t 2.3									
Color	Standard / Light beige (5Y7/1)		Scale			1:10	Design	ITOU	Draw	NGUYEN	Check
IP	IP54 (Category 2)		Date:	25 / Mar. / 2021							
Weight	23.2 kg										



Detail B: Mounting plate installation (1:2)



Detail C: Earth terminal(1:2)

Model	Detail view RA				
Number					2/2
A3 scale	Scale	Design	ITOU	Draw	NGUYEN
					Check
					SUZUKI
Date:		25 / Mar. / 2021			