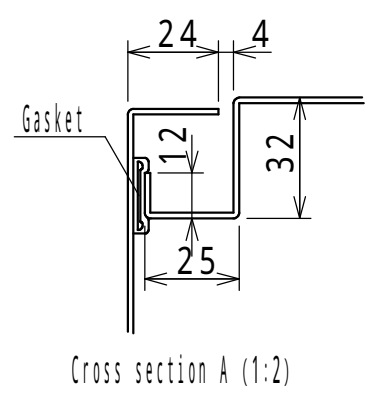
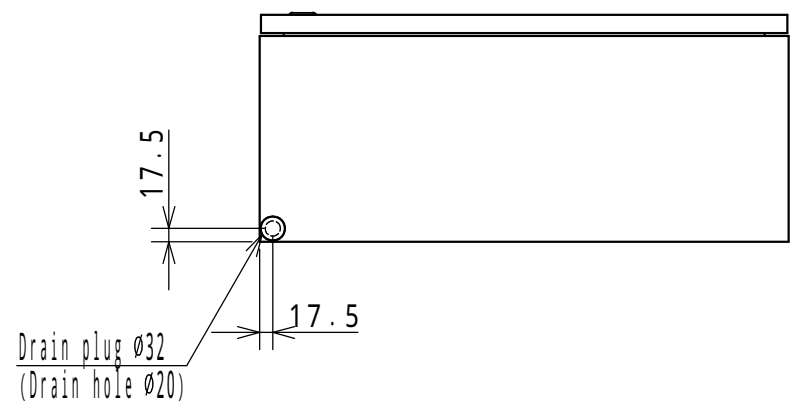
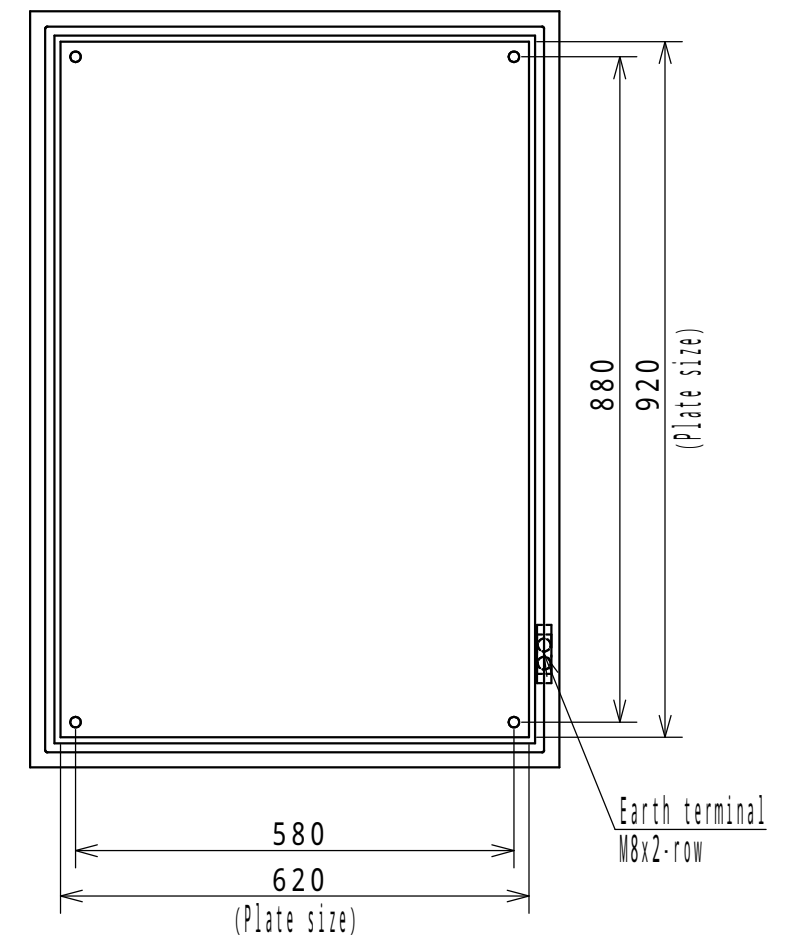
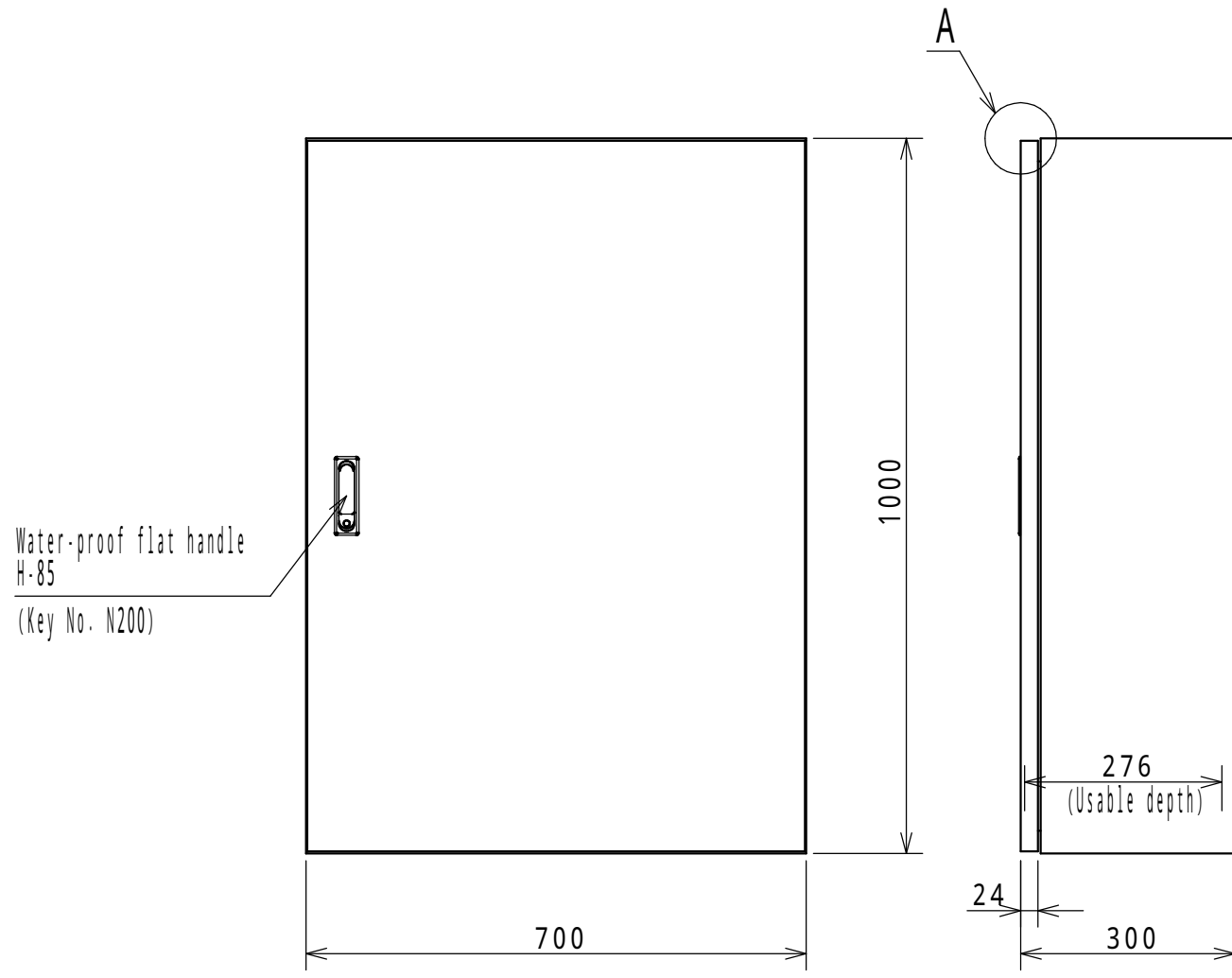
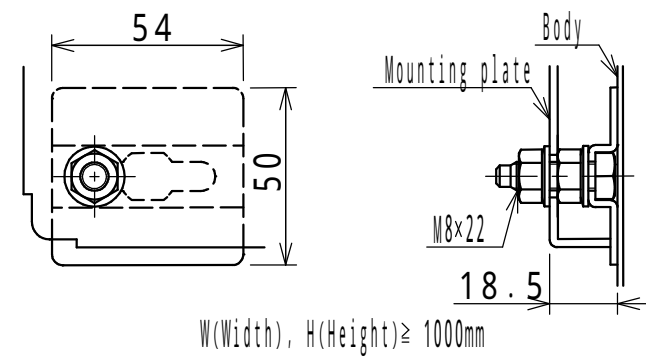
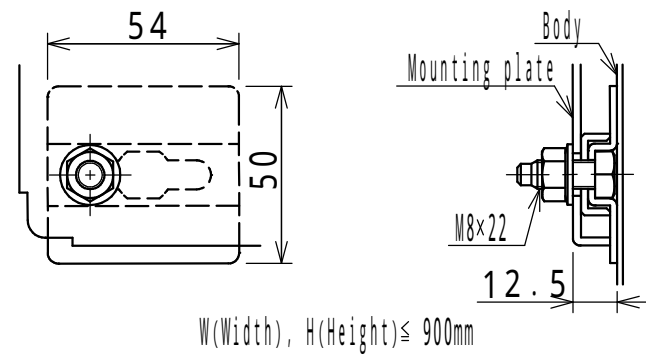


Accessory List		
Parts name	Remarks	Qty
Earth Bolt M8 × 12	For Earth terminal	2
Key (Key No. N200)	For Handle	1

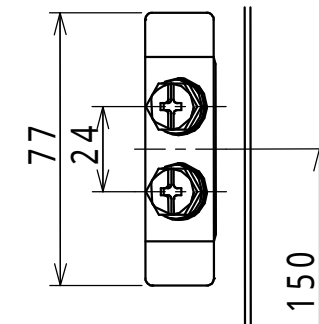


NOTE
 1. The door opening angle is approximately 103°.
 2. The usable depth of both doors fitting section is 43 mm deeper than the usable depth in drawing.

Enclosure specification				Model							
Type	Indoor / outdoor use, RA30-710-1			RA30-710-1							
Body	Steel	t 1.6									
Door	Steel	t 1.6									
Mounting plate	Steel	t 2.3									
Color	Standard / Light beige (5Y7/1)			Scale	1:10	Design	ITOU	Draw	NGUYEN	Check	SUZUKI
IP	IP54 (Category 2)										
Weight	44.1 kg			Date: 25 / Mar. / 2021							



Detail B: Mounting plate installation (1:2)



Detail C: Earth terminal(1:2)

Model	Detail view RA				
Number					2/2
A3 scale	Scale	Design	ITOU	Draw	NGUYEN
				Check	SUZUKI
Date: 25 / Mar. / 2021					