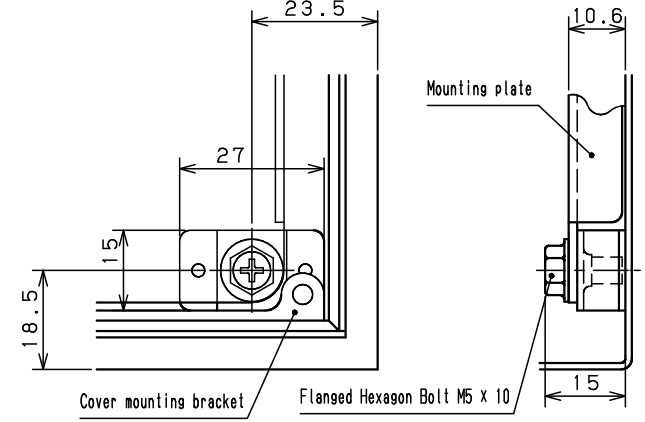
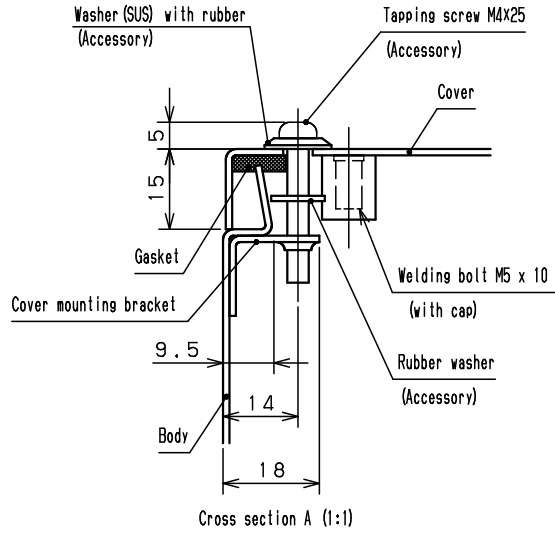
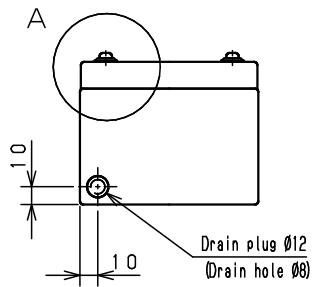
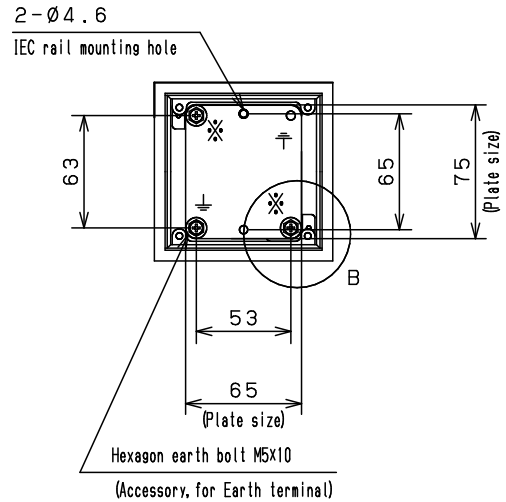
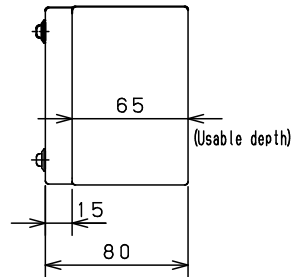
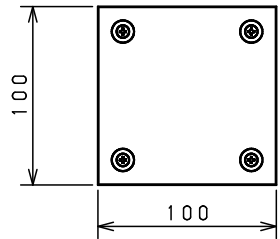


Accessory list		
Parts name	Remarks	Qty
Tapping screw M4X25	For Cover	4
Hexagon earth bolt M5X10	For Earth terminal	1
Washer (SUS) with rubber	For Cover	4
Rubber washer	For Cover	4



NOTE
1. Mounting plate is fixed at 2 places marked with ※

Enclosure specification		Model							
Type	Indoor use, TVC8-11	Model	TVC8-11						
Body	Steel t 1.2		Drawing No.	1/1					
Door/Cover	Steel t 1.2			Scale	1/1				
Mounting plate	Steel t 1.6				Design	SUZUKI			
Color	Standard / Light beige (5Y7/1)	Date:				30 / Jun. / 2021			
IP	IP54		Draw						
Weight	0.6 kg			Check					
					SUZUKI				