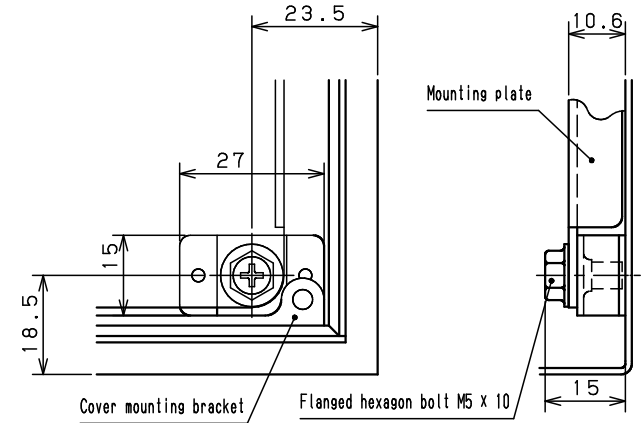
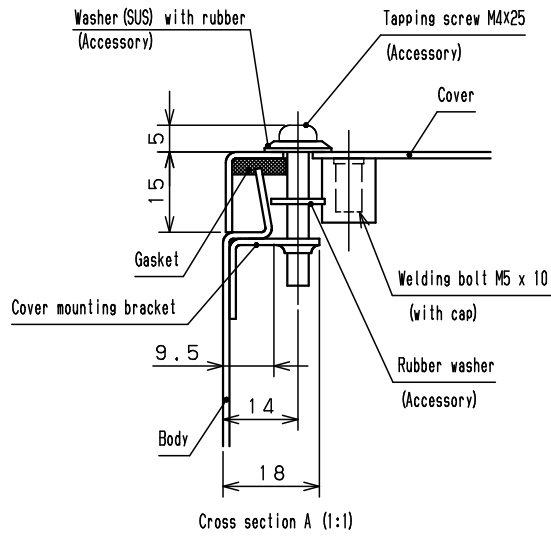
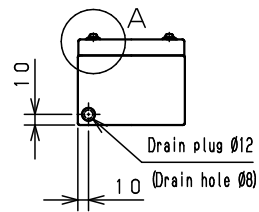
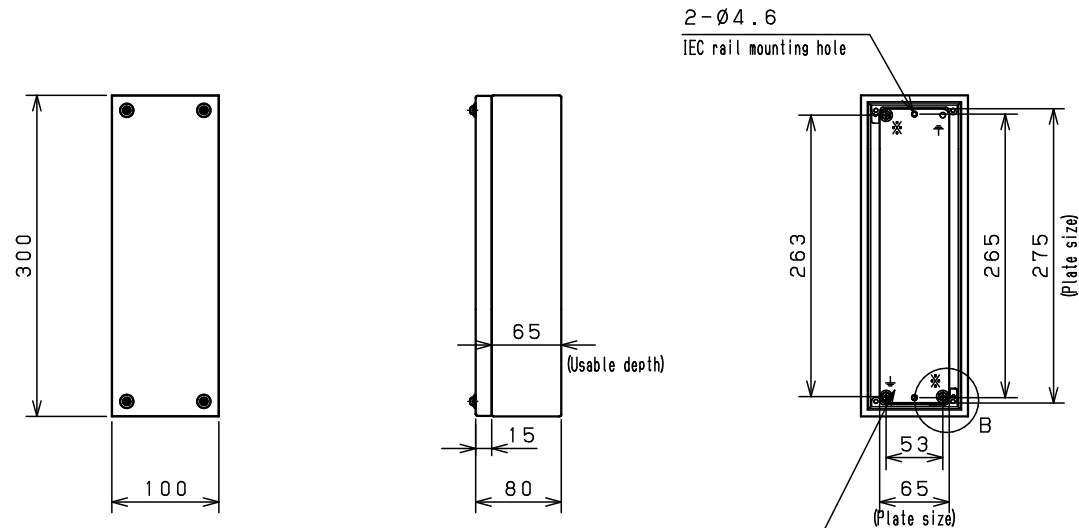


Accessory list		
Parts name	Remarks	Qty
Tapping screw M4X25	For Cover	4
Hexagon earth bolt M5X10	For Earth terminal	1
Washer (SUS) with rubber	For Cover	4
Rubber washer	For Cover	4



NOTE
1. Mounting plate is fixed at 2 places marked with ※

Enclosure specification		Model	TVC8-13						
Type	Indoor use, TVC8-13	Drawing Number	1/1						
Body	Steel t 1.2								
Door/ Cover	Steel t 1.2								
Mounting plate	Steel t 1.6	Scale	1:5	Design	ITOU	Draw	NGUYEN	Check	SUZUKI
Color	Standard / Light beige (5Y7/1)	Date: 30 / Jun. / 2021							
IP	IP54								
Weight	1.5 kg								