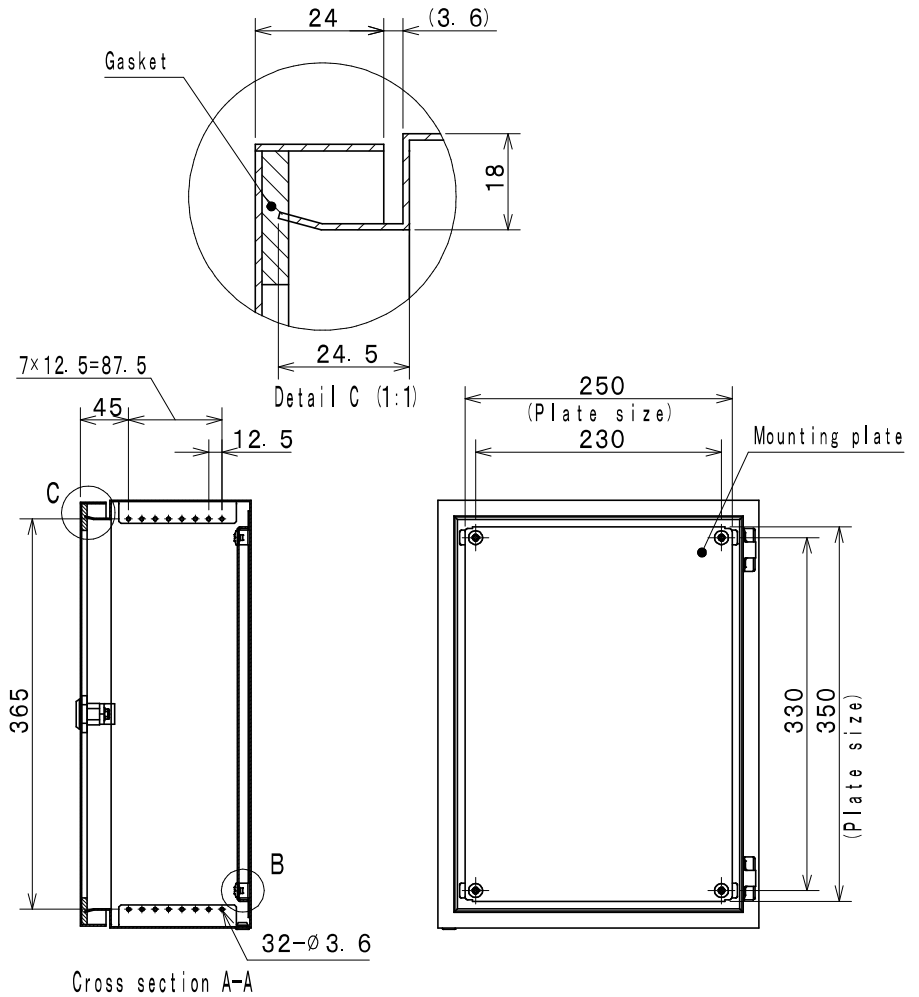
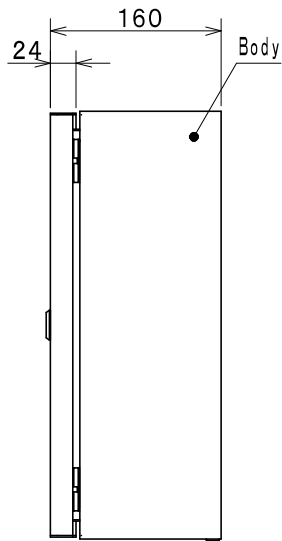
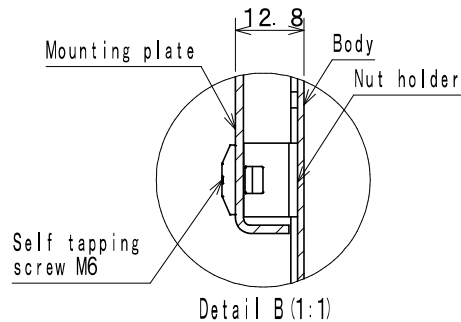
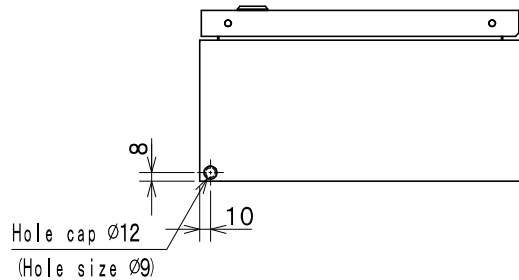


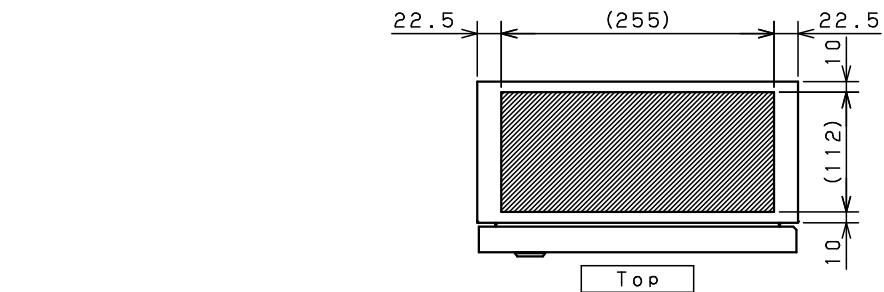
Stud bolt M5×10  
(Behind the door)



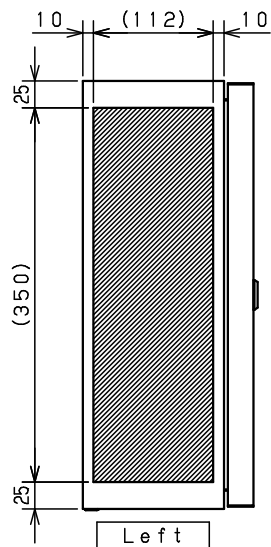
Cross section A-A



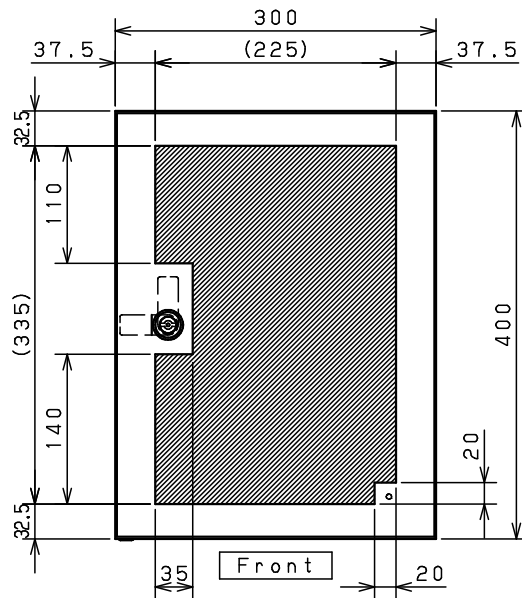
|                |  |                              |  |                |                  |         |         |         |
|----------------|--|------------------------------|--|----------------|------------------|---------|---------|---------|
| Model          | Wall-mounting, indoor/outdoor-use, CA16-34 |                              |  | Name/Type      | CA16-34          |         |         |         |
| Body           | Steel sheet, t1.2                          |                              |  | Drawing number | -                |         |         |         |
| Door           | Steel sheet, t1.2                          |                              |  |                | 1/2              |         |         |         |
| Mounting plate | Steel sheet, t1.5                          |                              |  | A3 scale       | Scale            | Design  | Drawing | Check   |
| Base           | -  |                              |  |                | 1:5              | SUPAKIT | SUPAKIT | KONISHI |
| Color          | Outside                                    | Light beige (5Y7/1) (Smooth) |  | Date           | 21 / Sep. / 2021 |         |         |         |
|                | Inside                                     | Light beige (5Y7/1) (Smooth) |  |                |                  |         |         |         |
| IP             | IP65                                       |                              |  |                |                  |         |         |         |
| Weight         | 6.4 kg                                     |                              |  |                |                  |         |         |         |



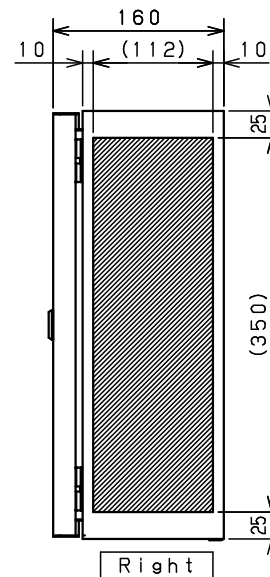
Top



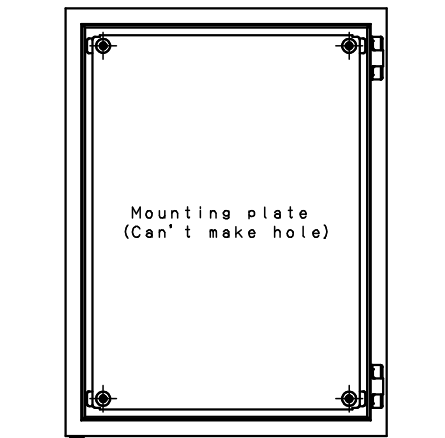
Left



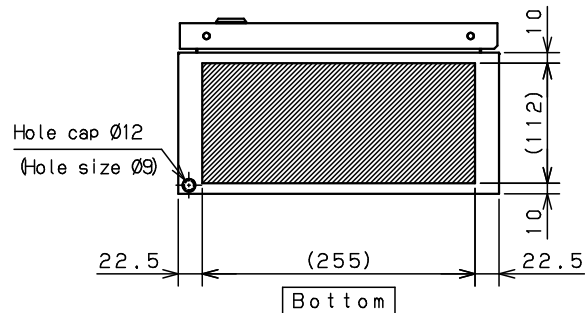
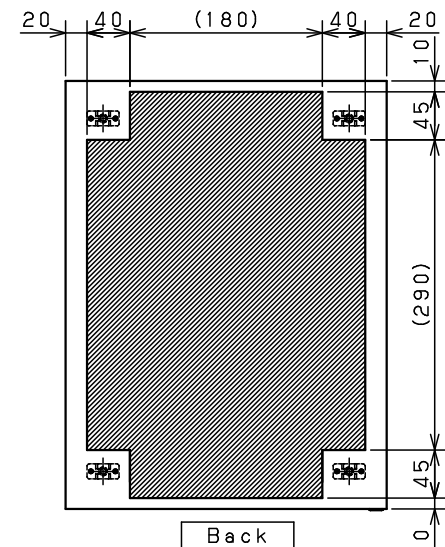
Front



Right



Back



Bottom

Note2. This drawing shows the processing range by laser.  
 Note1. Please refer to standard drawings for cabinet details.

|                |   |                |                   |         |         |       |
|----------------|---|----------------|-------------------|---------|---------|-------|
| Model          | Wall-mounting, indoor/outdoor-use, CA16-34                                  | Name/Type      | CA16-34/LSR       |         |         |       |
| Body           | Steel sheet, t1.2   | Drawing number | -                 |         |         |       |
| Door           | Steel sheet, t1.2   |                |                   |         |         |       |
| Mounting plate | Steel sheet, t1.5   |                |                   |         |         |       |
| Base           | -   | A3 scale       | Scale             | Design  | Drawing | Check |
| Color          | Outside Light beige (5Y7/1) (Smooth)<br>Inside Light beige (5Y7/1) (Smooth) |                | 1:5               | SUPAKIT | SAICHON | TSUGE |
| IP             | IP65  | Date           | 6 / Oct. / 2023 A |         |         |       |
| Weight         | 6.4 kg  |                |                   |         |         |       |