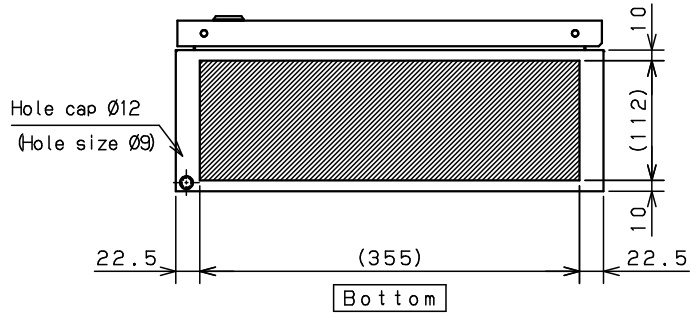
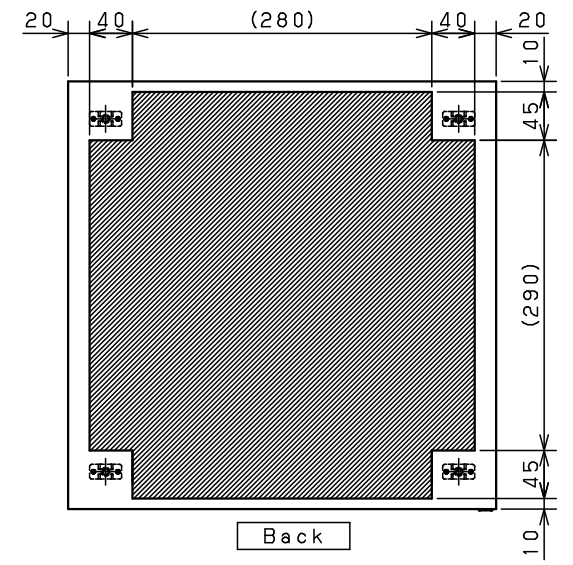
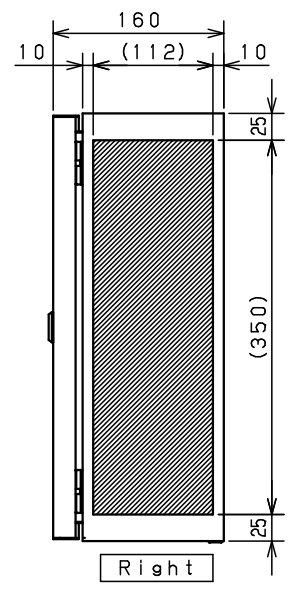
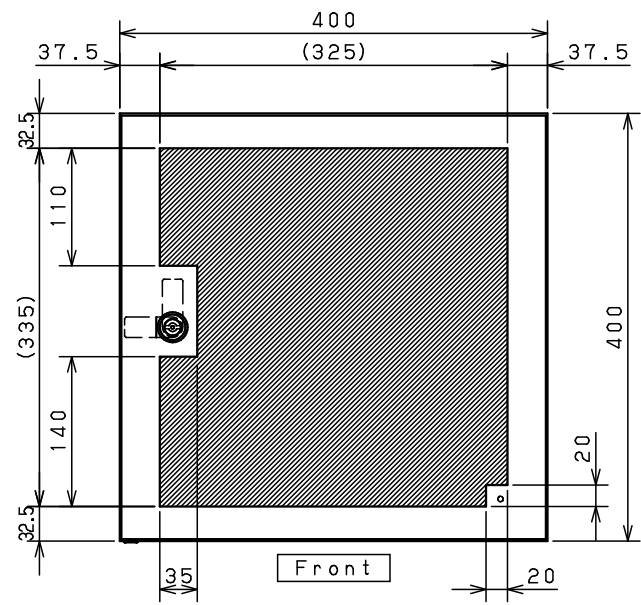
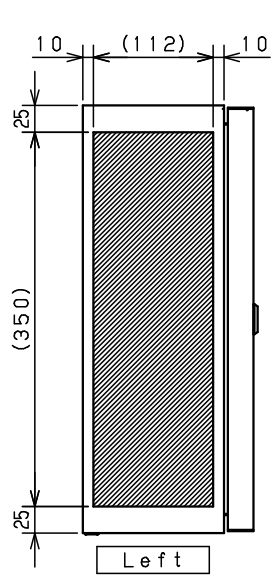
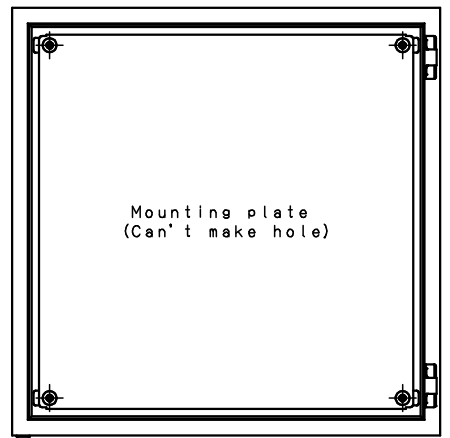
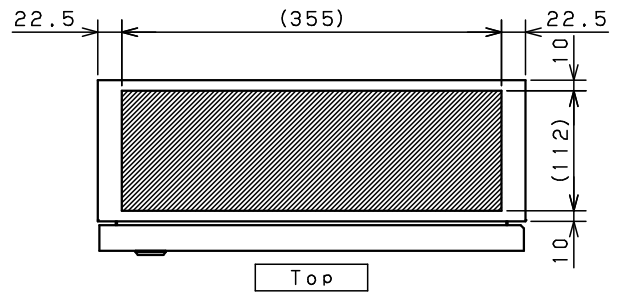


Model	Wall-mounting, indoor/outdoor-use, CA16-44			Name/Type	CA16-44			
Body	Steel sheet, t1.2			Drawing number	-			
Door	Steel sheet, t1.2							
Mounting plate	Steel sheet, t1.5			A3 scale	Scale	Design	Drawing	Check
Base	-				1:5	SUPAKIT	SUPAKIT	KONISHI
Color	Outside	Light beige (5Y7/1) (Smooth)		Date	21 / Sep. / 2021			
	Inside	Light beige (5Y7/1) (Smooth)						
IP	IP65							
Weight	8.0 kg							



Note2. This drawing shows the processing range by laser.
 Note1. Please refer to standard drawings for cabinet details.

Model	Wall-mounting, indoor/outdoor-use, CA16-44			Name/Type	CA16-44/LSR			
Body	Steel sheet, t1.2							
Door	Steel sheet, t1.2			Drawing number	-			
Mounting plate	Steel sheet, t1.5							
Base	-			A3 scale	Scale	Design	Drawing	Check
Color	Outside	Light beige (5Y7/1) (Smooth)	Inside		Light beige (5Y7/1) (Smooth)	1:5	SUPAKIT	SAICHON
IP	IP65			Date	6 / Oct. / 2023 A			
Weight	8.0 kg							