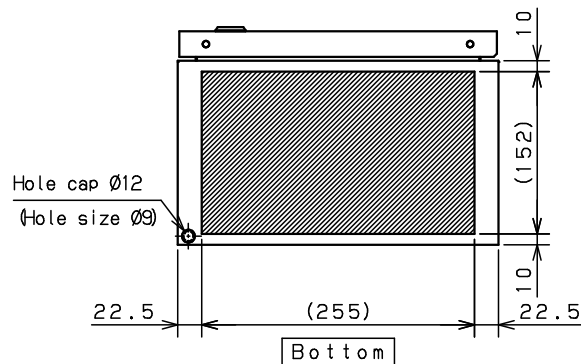
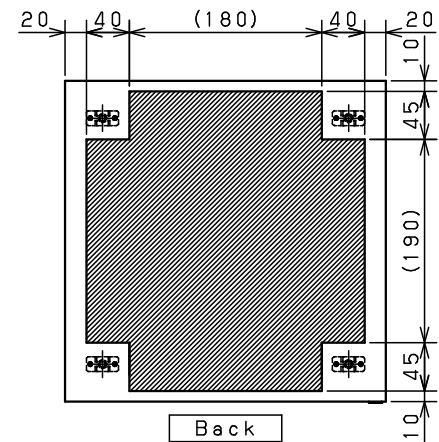
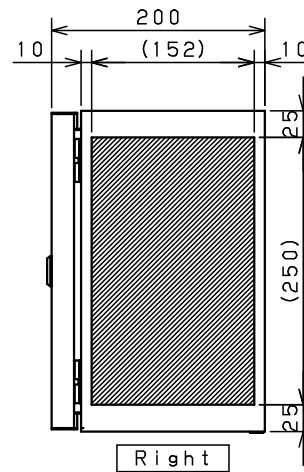
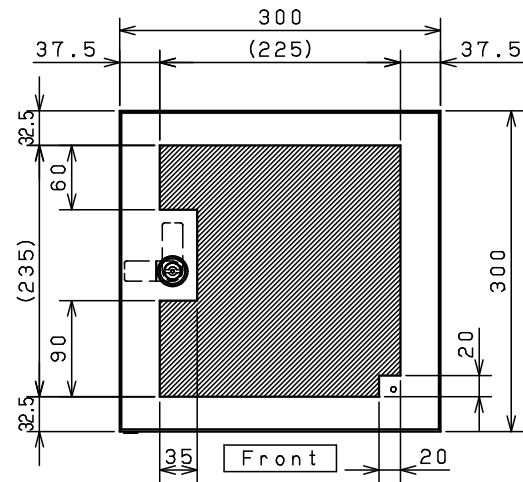
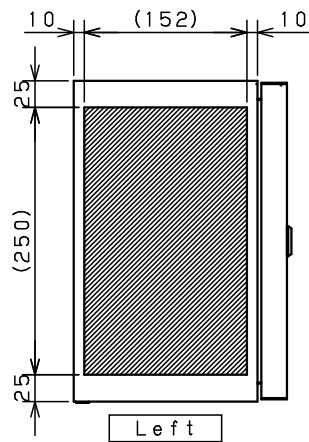
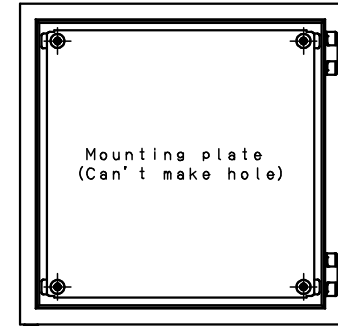
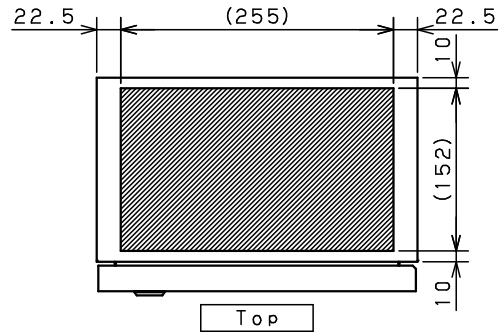


Model	Wall-mounting, indoor/outdoor-use, CA20-33			Name/Type	CA20-33						
Body	Steel sheet, t1.2										
Door	Steel sheet, t1.2			Drawing number	-						
Mounting plate	Steel sheet, t1.5										
Base	-			A3 scale	1/2						
Color	Outside	Light beige (5Y7/1) (Smooth)									
	Inside	Light beige (5Y7/1) (Smooth)									
IP	IP65			Scale	1:4	Design	SUPAKIT	Drawing	SUPAKIT	Check	KONISHI
Weight	5.7 kg			Date	21 / Sep. / 2021						



Note2. This drawing shows the processing range by laser.  
 Note1. Please refer to standard drawings for cabinet details.

Model	Wall-mounting, indoor/outdoor-use, CA20-33	Name/ Type	CA20-33/LSR		
Body	Steel sheet, t1.2				
Door	Steel sheet, t1.2				
Mounting plate	Steel sheet, t1.5				
Base	-	Drawing number	-		
Color	Outside	Light beige (5Y7/1) (Smooth)	A3 scale	Scale	Design
	Inside	Light beige (5Y7/1) (Smooth)		1:5	SUPAKIT
IP	IP65			Drawing	Check
Weight	5.7 kg			SAICHON	TSUGE
		Date	6 / Oct. / 2023 A		