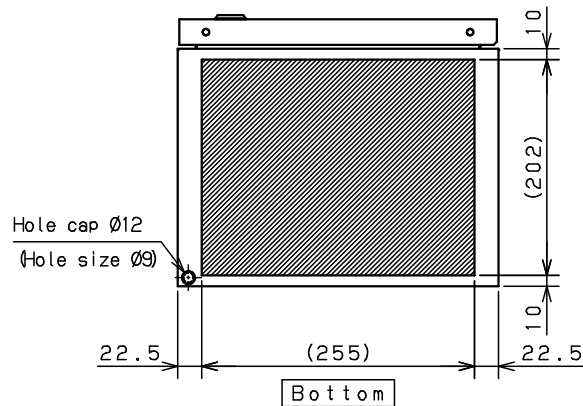
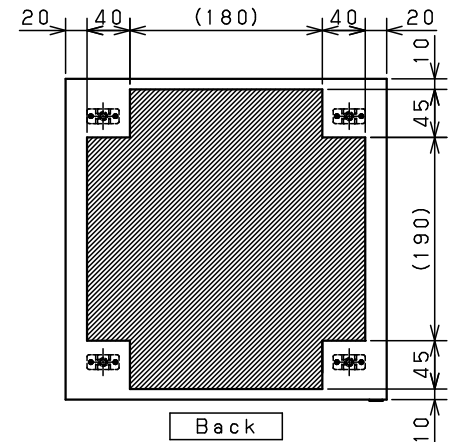
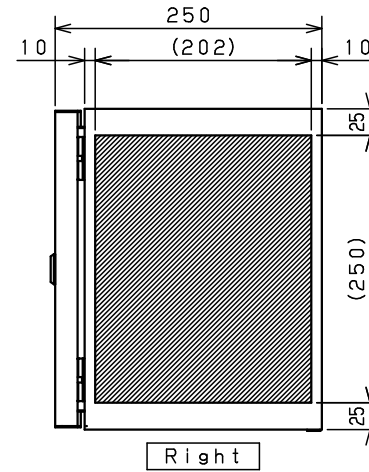
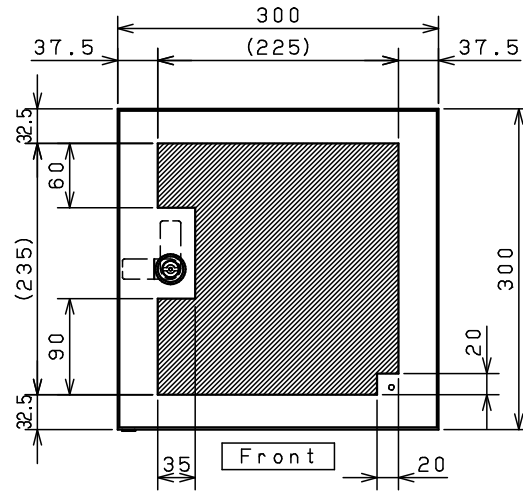
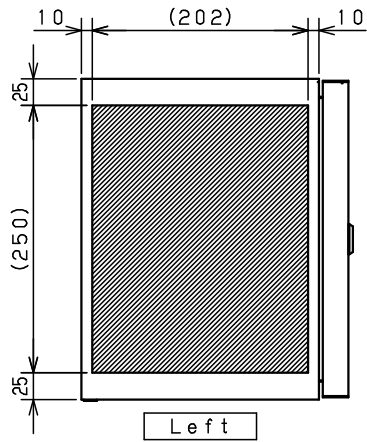
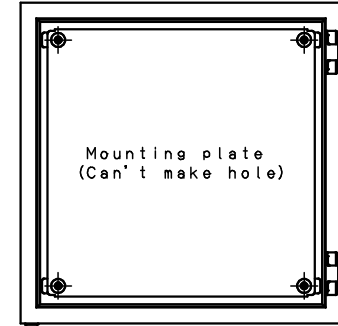
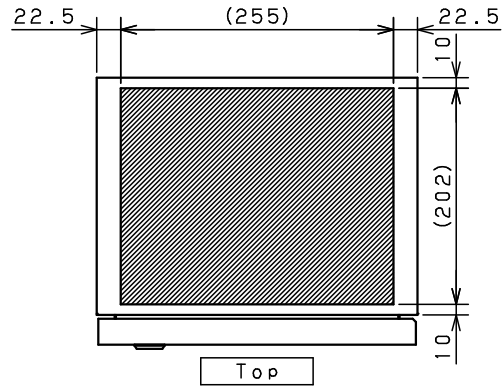


Model	Wall-mounting, indoor/outdoor-use, CA25-33			Name/Type	CA25-33			
Body	Steel sheet, t1.2							
Door	Steel sheet, t1.2			Drawing number	-			
Mounting plate	Steel sheet, t1.5							
Base	-			A3 scale	Scale	Design	Drawing	Check
Color	Outside	Light beige (5Y7/1) (Smooth)						
	Inside	Light beige (5Y7/1) (Smooth)						
IP	IP65			1:4	SUPAKIT	SUPAKIT	KONISHI	
Weight	6.2 kg			Date	21 / Sep. / 2021			



Note2. This drawing shows the processing range by laser.  
 Note1. Please refer to standard drawings for cabinet details.

Model	Wall-mounting, indoor/outdoor-use, CA25-33			Name/Type	CA25-33/LSR			
Body	Steel sheet, t1.2			Drawing number	-			
Door	Steel sheet, t1.2							
Mounting plate	Steel sheet, t1.2			A3 scale	Scale	Design	Drawing	Check
Base	-				1:5	SUPAKIT	SAICHON	TSUGE
Color	Outside	Light beige (5Y7/1) (Smooth)		Weight	Date 9 / Oct. / 2023 A			
	Inside	Light beige (5Y7/1) (Smooth)						
IP	IP65							
Weight	6.2 kg							