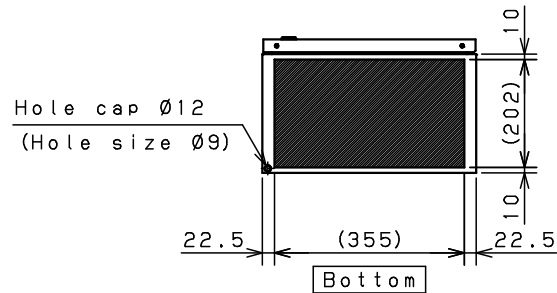
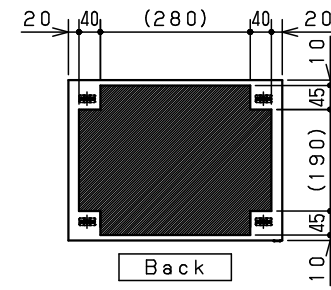
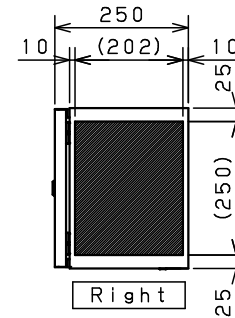
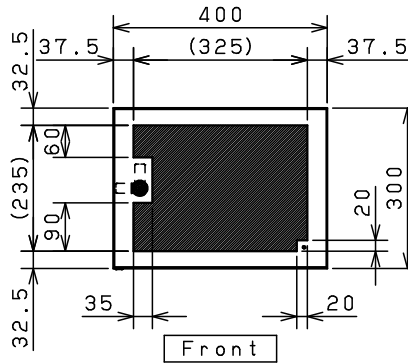
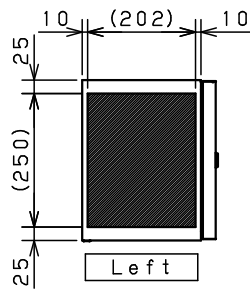
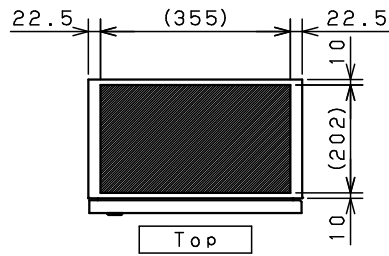


Model	Wall-mounting, indoor/outdoor-use, CA25-43			Name/Type	CA25-43			
Body	Steel sheet, t1.2			Drawing number	-			
Door	Steel sheet, t1.2				1/2			
Mounting plate	Steel sheet, t1.5			A3 scale	Scale	Design	Drawing	Check
Base	-				1:5	SUPAKIT	SUPAKIT	KONISHI
Color	Outside	Light beige (5Y7/1) (Smooth)		Date	21 / Sep. / 2021			
	Inside	Light beige (5Y7/1) (Smooth)						
IP	IP65							
Weight	7.8 kg							



Note2. This drawing shows the processing range by laser.
 Note1. Please refer to standard drawings for cabinet details.

Model	Wall-mounting, indoor/outdoor-use, CA25-43	Name/ Type	CA25-43/LSR			
Body	Steel sheet, t1.2	Drawing number	-			
Door	Steel sheet, t1.2					
Mounting plate	Steel sheet, t1.5	A3 scale	Scale	Design	Drawing	Check
Base	-		1:10	SUPAKIT	SAICHON	TSUGE
Color	Outside Light beige (5Y7/1) (Smooth) Inside Light beige (5Y7/1) (Smooth)	Date	9 / Oct. / 2023 A			
IP	IP65	Weight	7.8 kg			

2/2