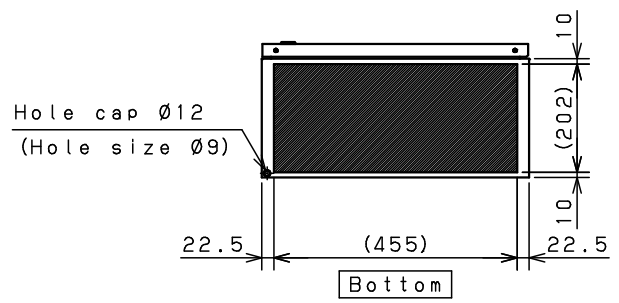
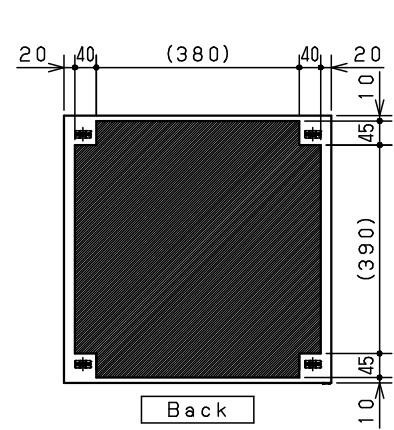
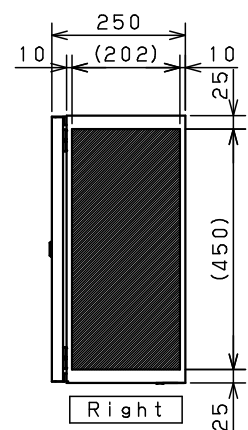
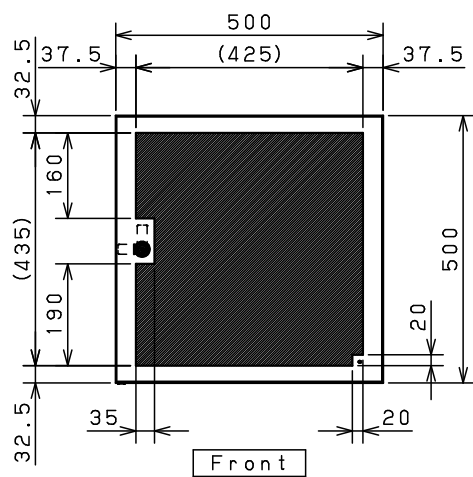
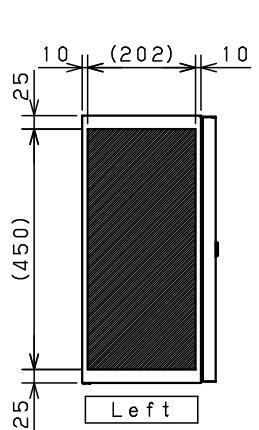
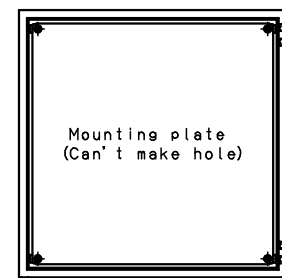
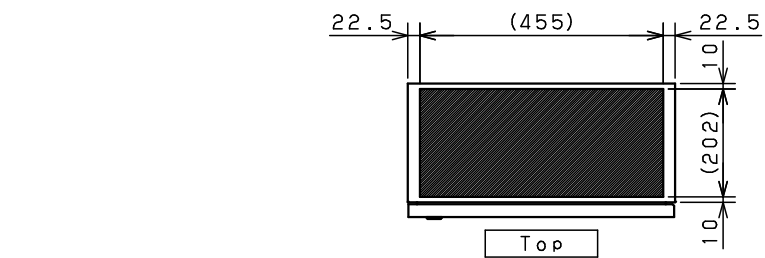


Model	Wall-mounting, indoor/outdoor-use, CA25-55	Name/Type	CA25-55			
Body	Steel sheet, t1.2	Drawing number	-			
Door	Steel sheet, t1.2		1/2			
Mounting plate	Steel sheet, t1.5	A3 scale	Scale	Design	Drawing	Check
Base	-		1:10	SUPAKIT	SUPAKIT	KONISHI
Color	Outside Light beige (5Y7/1) (Smooth) Inside Light beige (5Y7/1) (Smooth)	Weight	Date 21 / Sep. / 2021			
IP	IP65					



Note2. This drawing shows the processing range by laser.
 Note1. Please refer to standard drawings for cabinet details.

Model	Wall-mounting, indoor/outdoor-use, CA25-55	Name/Type	CA25-55/LSR		
Body	Steel sheet, t1.2				
Door	Steel sheet, t1.2				
Mounting plate	Steel sheet, t1.5				
Base	-	Drawing number	-		
Color	Outside Light beige (5Y7/1) (Smooth) Inside Light beige (5Y7/1) (Smooth)	A3 scale	Scale	Design	Drawing
IP	IP65		1:10	SUPAKIT	SAICHON
Weight	13.4 kg	Date	10 / Oct. / 2023 A		