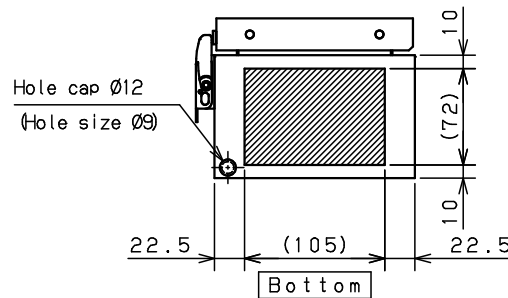
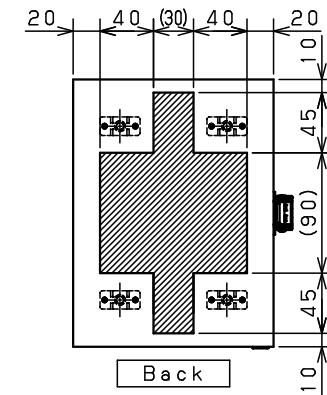
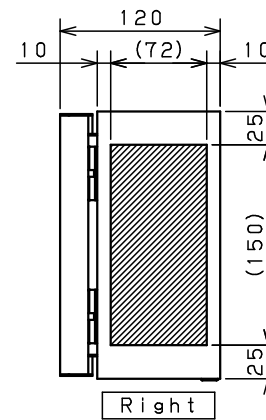
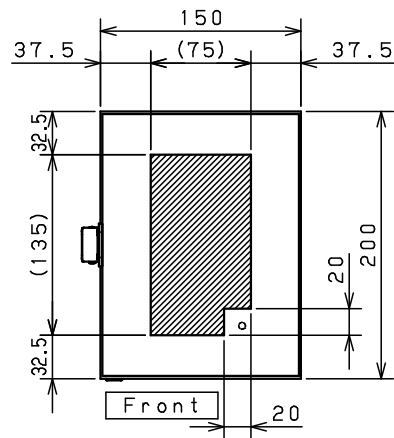
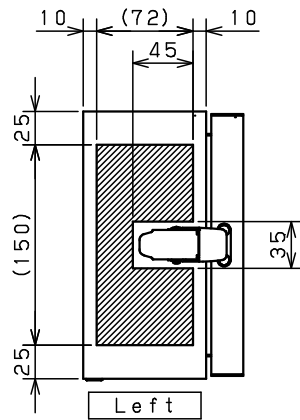
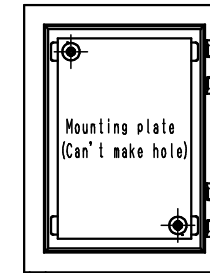
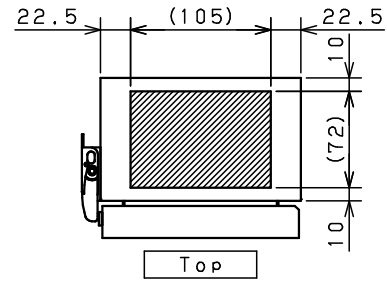


Model	Wall-mounting, indoor/outdoor-use, CAL12-152			Name/Type	CAL12-152			
Body	Steel sheet, t1.2			Drawing number	-			
Door	Steel sheet, t1.2				1/2			
Mounting plate	Steel sheet, t1.5			A3 scale	Scale	Design	Drawing	Check
Base	-				1:4	SUPAKIT	SUPAKIT	KONISHI
Color	Outside	Light beige (5Y7/1) (Smooth)		Date	21 / Sep. / 2021			
	Inside	Light beige (5Y7/1) (Smooth)						
IP	IP65							
Weight	2.0 kg							



Note2. This drawing shows the processing range by laser.
 Note1. Please refer to standard drawings for cabinet details.

Model	Wall-mounting, indoor/outdoor-use, CAL12-152	Name/Type	CAL12-152/LSR			
Body	Steel sheet, t1.2	Drawing number	-			
Door	Steel sheet, t1.2					
Mounting plate	Steel sheet, t1.5	A3 scale	Scale	Design	Drawing	Check
Base	-		1:4	SUPAKIT	HENGSKUO	TSUGE
Color	Outside Light beige (5Y7/1) (Smooth) Inside Light beige (5Y7/1) (Smooth)	Weight	Date 9 / Oct / 2023 A			
IP	IP65					