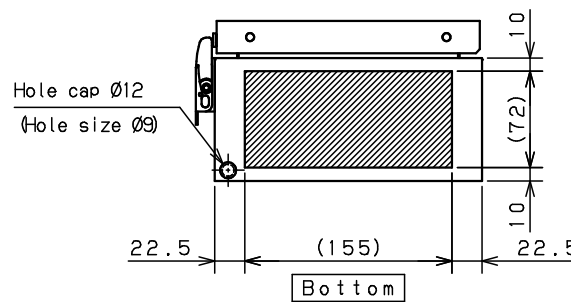
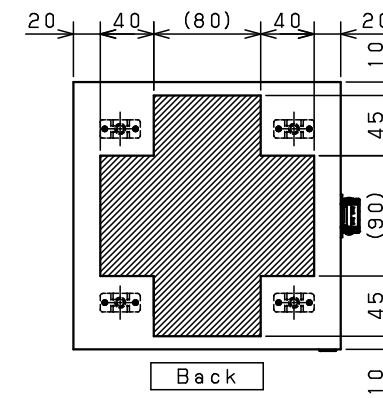
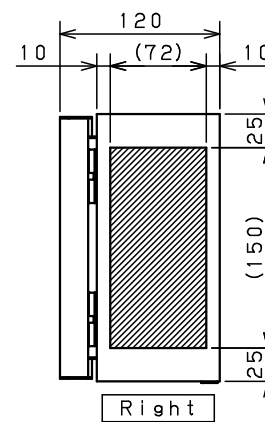
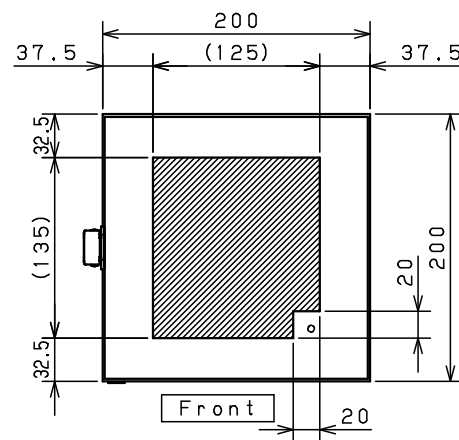
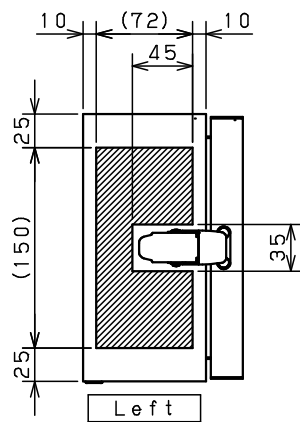
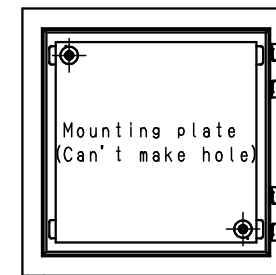
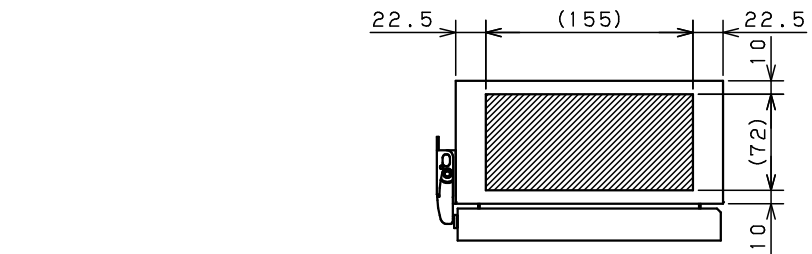


Model	Wall-mounting, indoor/outdoor-use, CAL12-22	Name/Type	CAL12-22			
Body	Steel sheet, t1.2	Drawing number	-			
Door	Steel sheet, t1.2		1/2			
Mounting plate	Steel sheet, t1.5	A3 scale	Scale	Design	Drawing	Check
Base	-		1:4	SUPAKIT	SUPAKIT	KONISHI
Color	Outside Light beige (5Y7/1) (Smooth) Inside Light beige (5Y7/1) (Smooth)	IP	IP65			
Weight	2.5 kg	Date	21 / Sep. / 2021			



Note2. This drawing shows the processing range by laser.
 Note1. Please refer to standard drawings for cabinet details.

Model	Wall-mounting, indoor/outdoor-use, CAL12-22		Name/Type	CAL12-22/LSR			
Body	Steel sheet, t1.2		Drawing number	-			
Door	Steel sheet, t1.2						
Mounting plate	Steel sheet, t1.5						
Base	-		A3 scale	Scale	Design	Drawing	Check
Color	Outside	Light beige (5Y7/1) (Smooth)		1:4	SUPAKIT	HENGSKUO	TSUGE
IP	IP65		Date	9 / Oct / 2023 A			
Weight	2.5 kg						