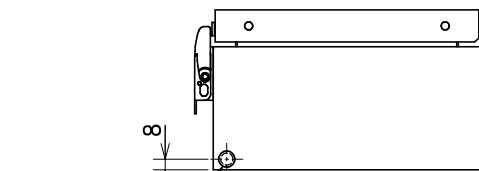


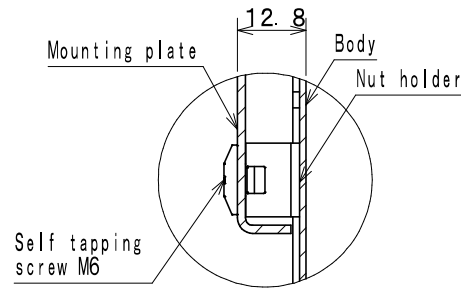
Draw latch
(With locking hole)

Stud bolt M5x10
(Behind the door)

Cross section A-A

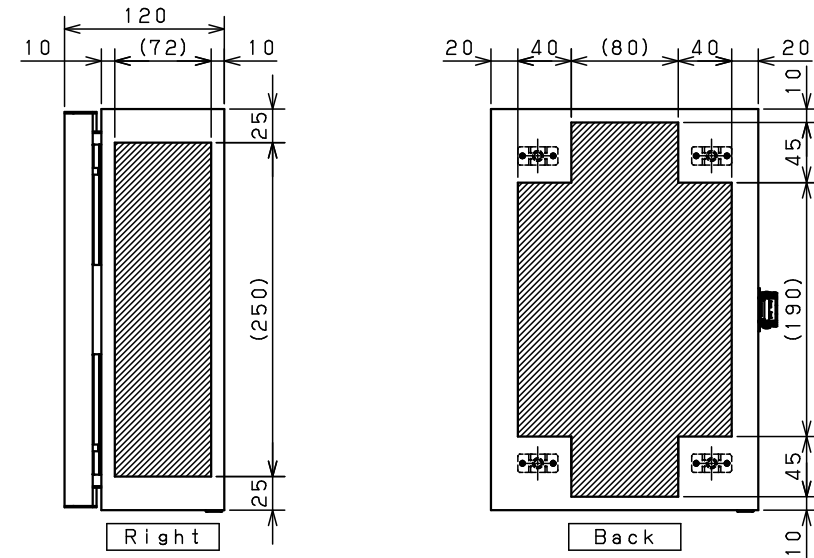
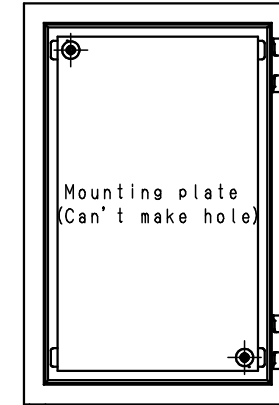
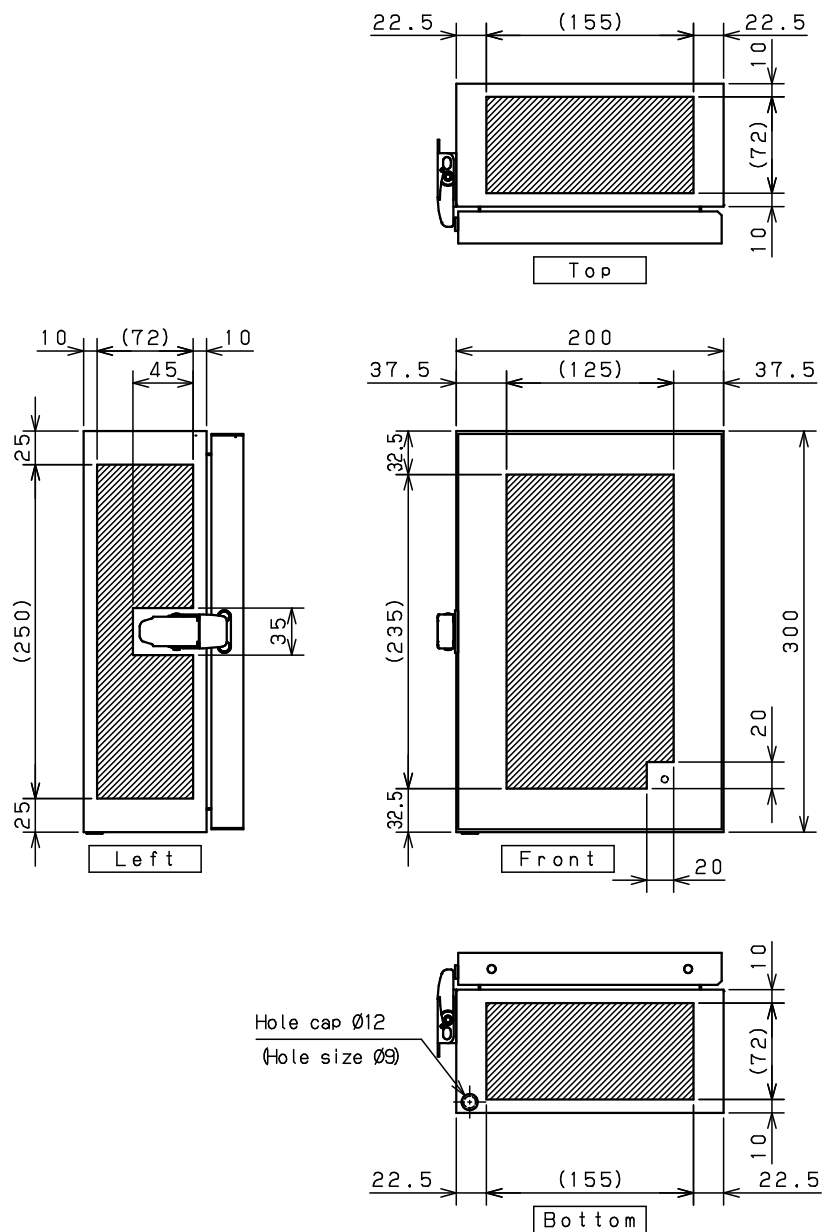


Hole cap $\varnothing 12$
(Hole size $\varnothing 9$)



Detail B (1:1)

Model	Wall-mounting, indoor/outdoor-use, CAL12-23			Name/Type	CAL12-23			
Body	Steel sheet, t1.2			Drawing number	-			
Door	Steel sheet, t1.2							
Mounting plate	Steel sheet, t1.5			A3 scale	Scale	Design	Drawing	Check
Base	-							
Color	Outside	Light beige (5Y7/1) (Smooth)		1:4	SUPAKIT	SUPAKIT	KONISHI	1/2
	Inside	Light beige (5Y7/1) (Smooth)						
IP	IP65			Date	21 / Sep. / 2021			
Weight	3.3 kg							



Note2. This drawing shows the processing range by laser.
 Note1. Please refer to standard drawings for cabinet details.

Model	Wall-mounting, indoor/outdoor-use, CAL12-23		Name/Type	CAL12-23/LSR			
Body	Steel sheet, t1.2		Drawing number	-			
Door	Steel sheet, t1.2						
Mounting plate	Steel sheet, t1.5		A3 scale	Scale	Design	Drawing	Check
Base	-			1:4	SUPAKIT	HENGSIKO	TSUGE
Color	Outside	Light beige (5Y7/1) (Smooth)	Weight	Date 9 / Oct / 2023 A			
	Inside	Light beige (5Y7/1) (Smooth)					
IP	IP65						
Weight	3.3 kg						