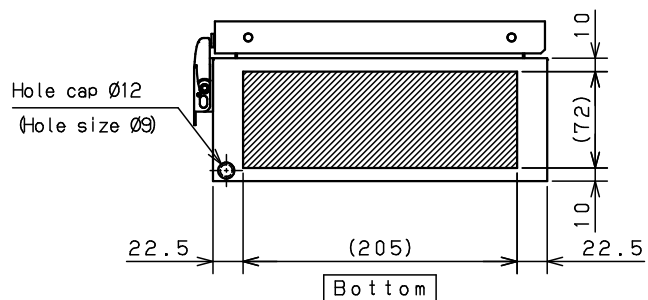
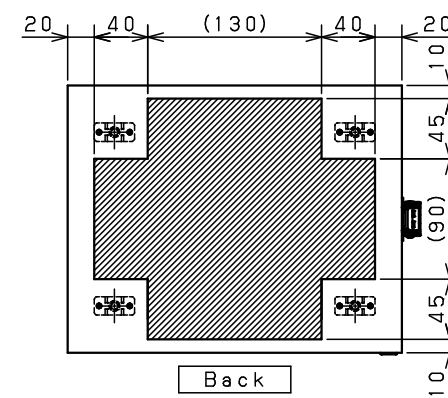
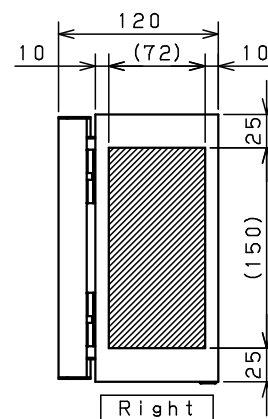
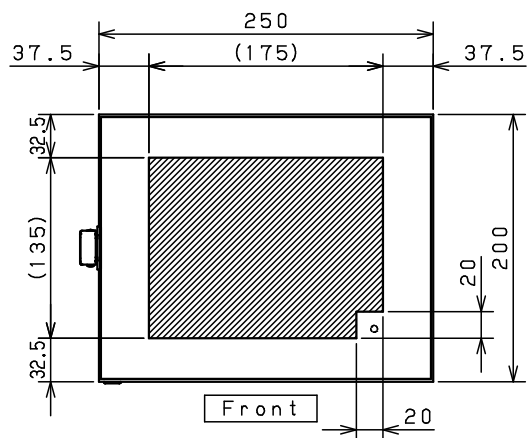
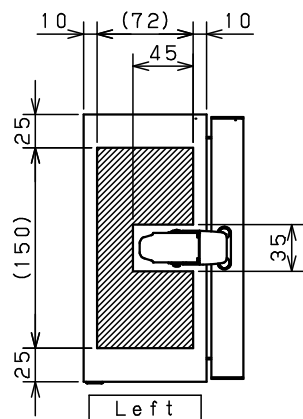
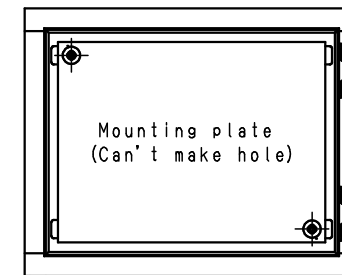
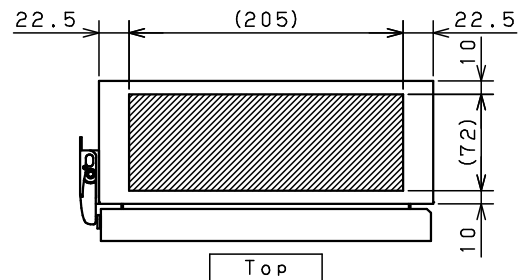


Model	Wall-mounting, indoor/outdoor-use, CAL12-252			Name/Type	CAL 12-252				
Body	Steel sheet, t1.2								
Door	Steel sheet, t1.2			Drawing number	-				
Mounting plate	Steel sheet, t1.5								
Base	-			A3 scale	1:4	SUNAKIT	SUNAKIT	KONISHI	1/2
Color	Outside	Light beige (5Y7/1) (Smooth)							
	Inside	Light beige (5Y7/1) (Smooth)							
IP	IP65			Date	21 / Sep. / 2021				
Weight	2.9 kg								



Note2. This drawing shows the processing range by laser.
 Note1. Please refer to standard drawings for cabinet details.

Model	Wall-mounting, indoor/outdoor-use, CAL12-252	Name/ Type	CAL12-252/LSR			
Body	Steel sheet, t1.2	Drawing number	-			
Door	Steel sheet, t1.2					
Mounting plate	Steel sheet, t1.5	A3 scale	Scale	Design	Drawing	Check
Base	-		1:4	SUPAKIT	HENGSKU	TSUGE
Color	Outside Light beige (5Y7/1) (Smooth) Inside Light beige (5Y7/1) (Smooth)	Date	9 / Oct / 2023 A			
IP	IP65					
Weight	2.9 kg					