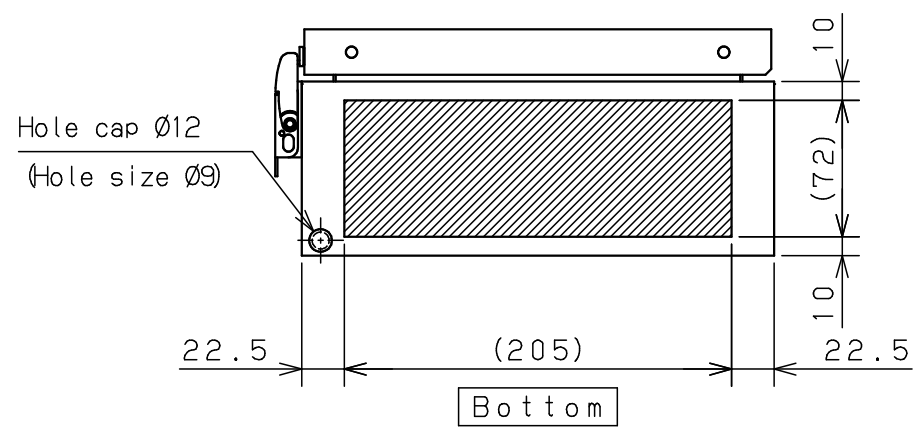
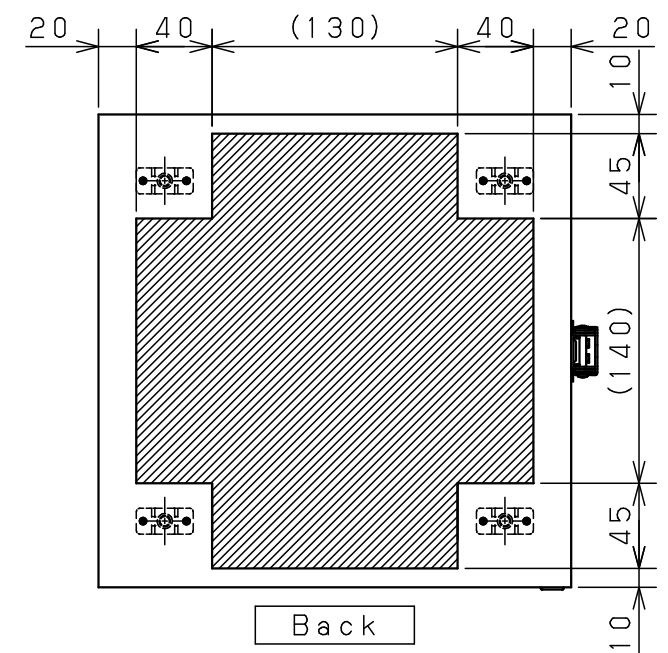
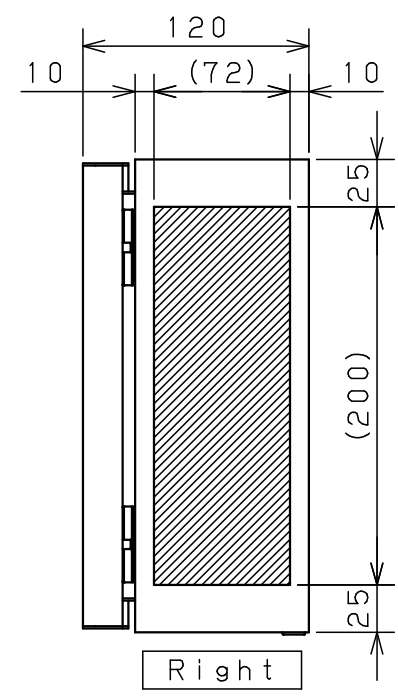
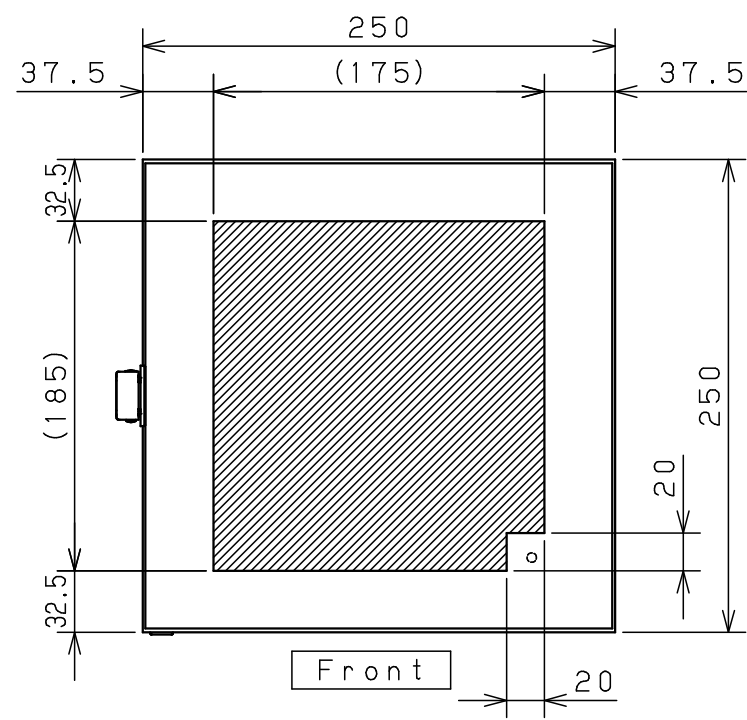
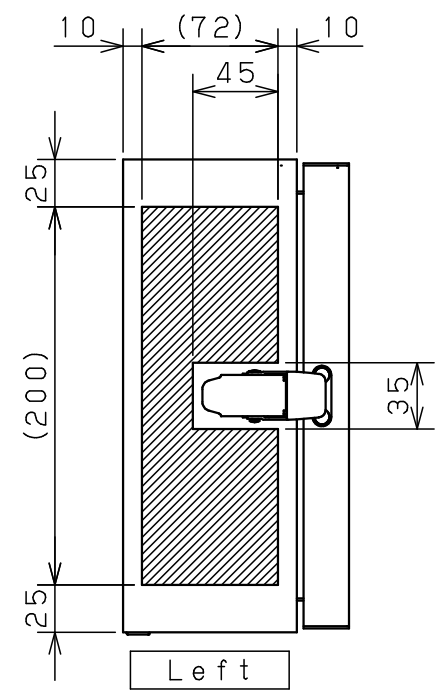
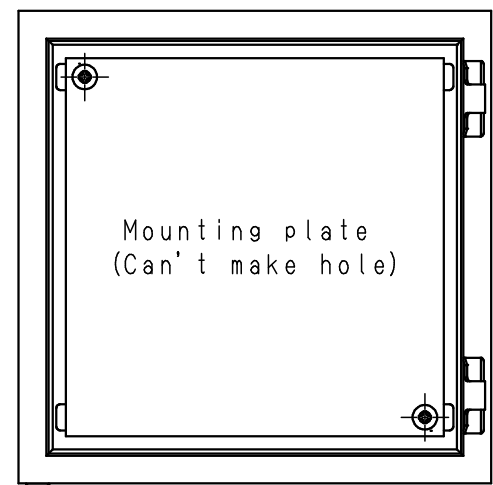
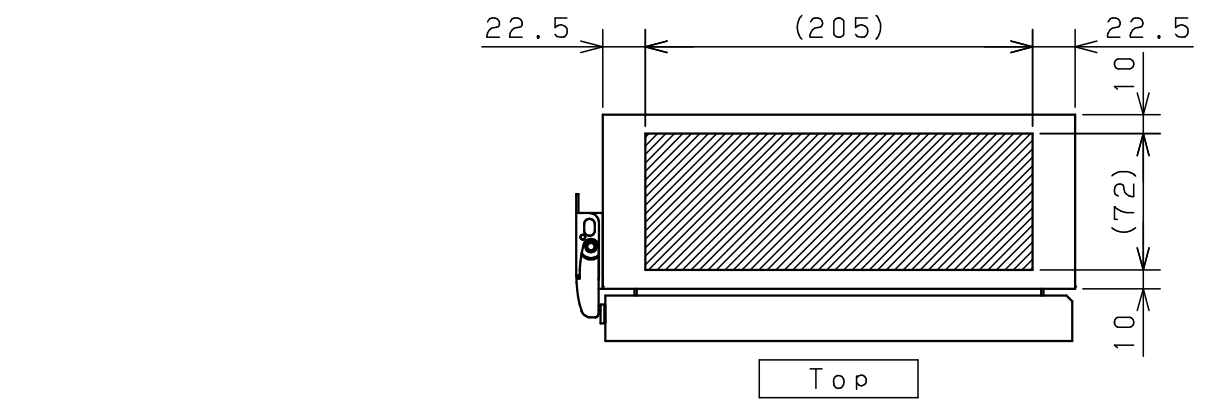


Model	Wall-mounting, indoor/outdoor-use. CAL12-2525	Name/ Type	CAL 12-2525			
Body	Steel sheet, t1.2	Drawing number	-			
Door	Steel sheet, t1.2					
Mounting plate	Steel sheet, t1.5	A3 scale	Scale	Design	Drawing	Check
Base	-		1:4	SUPAKIT	SUPAKIT	KONISHI
Color	Outside Light beige (5Y7/1) (Smooth) Inside Light beige (5Y7/1) (Smooth)	Date	21 / Sep. / 2021			
IP	IP65					
Weight	3.4 kg					



Note2. This drawing shows the processing range by laser.
 Note1. Please refer to standard drawings for cabinet details.

Model	Wall-mounting, indoor/outdoor-use, CAL12-2525		Name/Type	CAL12-2525/LSR			
Body	Steel sheet, t1.2						
Door	Steel sheet, t1.2		Drawing number	-			
Mounting plate	Steel sheet, t1.5						
Base	-		A3 scale	Scale	Design	Drawing	Check
Color	Outside	Light beige (5Y7/1) (Smooth)		1:4	SUPAKIT	HENG SUKO	TSUGE
IP	IP65		Date	9 / Oct / 2023 A			
Weight	3.4 kg						