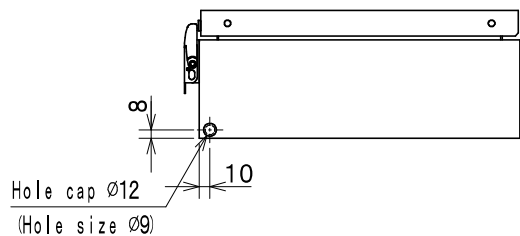


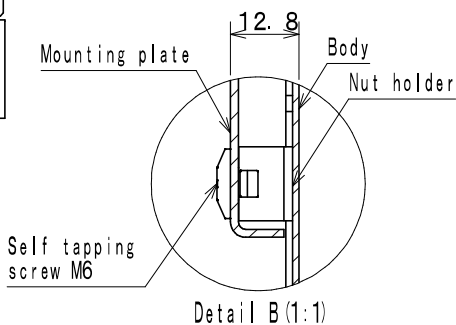
Cross section A-A

Draw latch  
With locking hole

Stud bolt M5×10  
(Behind the door)

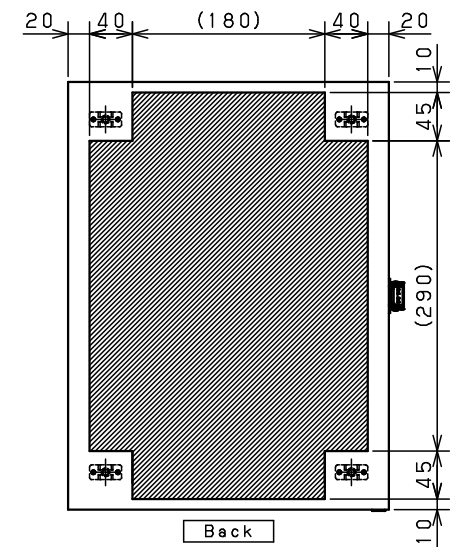
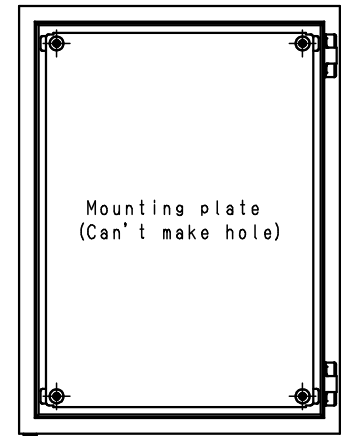
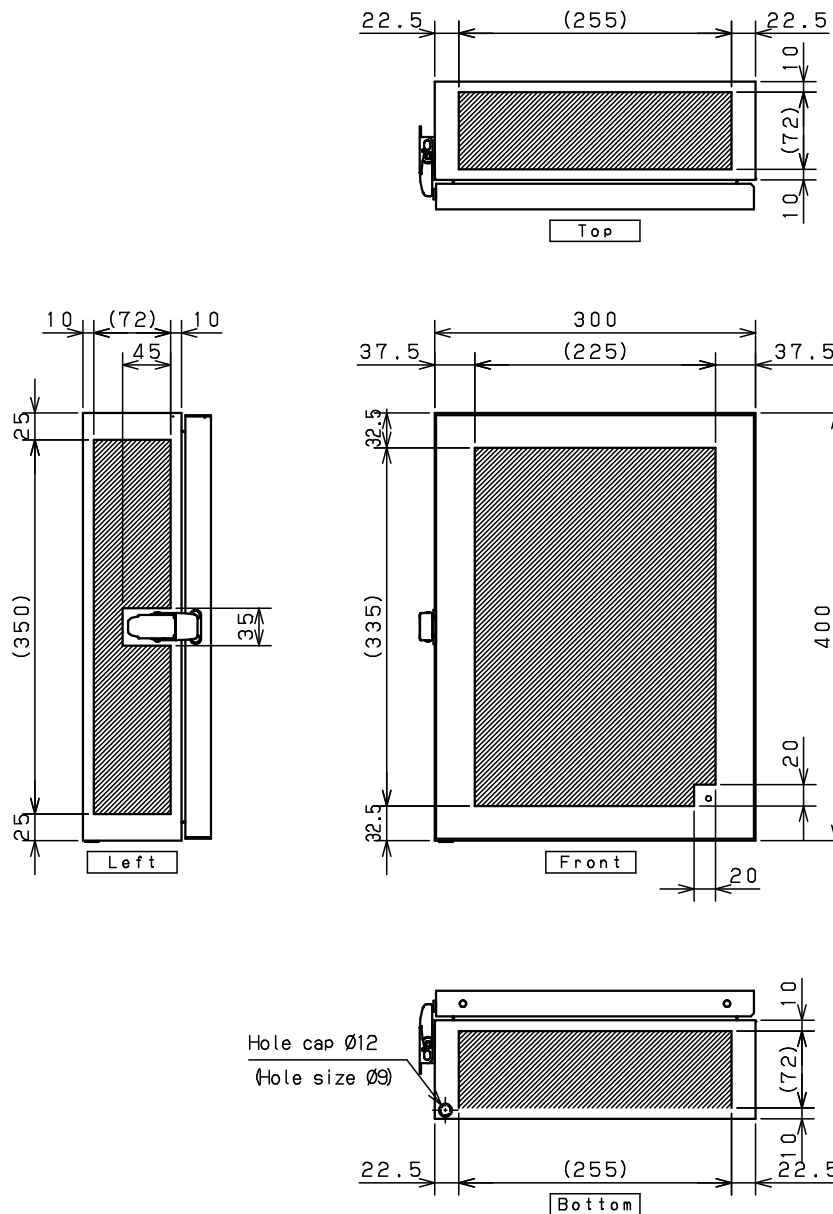


Hole cap  $\varnothing 12$   
(Hole size  $\varnothing 9$ )



Detail B(1:1)

Model	Wall-mounting, indoor/outdoor-use, CAL12-34		Name/Type	CAL 12-34		
Body	Steel sheet, t1.2		Drawing number	-		
Door	Steel sheet, t1.2			1/2		
Mounting plate	Steel sheet, t1.5		A3 scale	Scale	Design	Drawing
Base	-			1:5	SUPAKIT	SUPAKIT
Color	Outside	Light beige (5Y7/1) (Smooth)	Date	21 / Sep. / 2021		
	Inside	Light beige (5Y7/1) (Smooth)				
IP	IP65					
Weight	5.7 kg					



Note2. This drawing shows the processing range by laser.  
 Note1. Please refer to standard drawings for cabinet details.

Model	Wall-mounting, indoor/outdoor-use, CAL12-34		Name/Type	CAL12-34/LSR			
Body	Steel sheet, t1.2		Drawing number	-			
Door	Steel sheet, t1.2						
Mounting plate	Steel sheet, t1.5		A3 scale	Scale	Design	Drawing	Check
Base	-			1:5	SUPAKIT	HENGSKUO	TSUGE
Color	Outside	Light beige (5Y7/1) (Smooth)	Date	9 / Oct / 2023 A			
	Inside	Light beige (5Y7/1) (Smooth)					
IP	IP65						
Weight	5.7 kg						