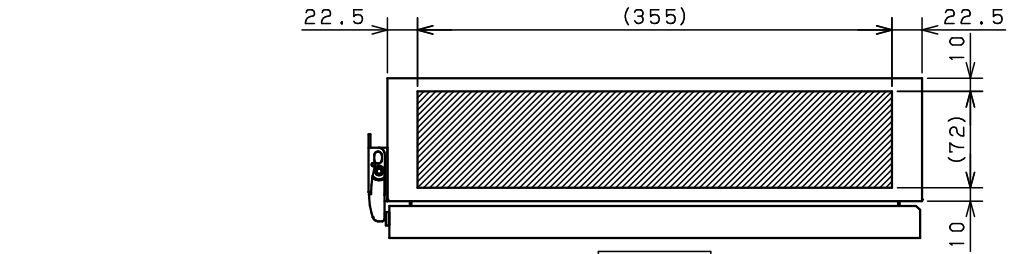
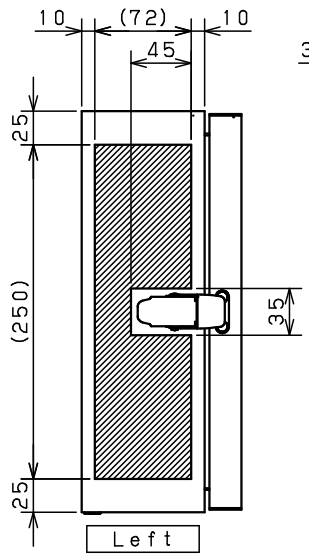


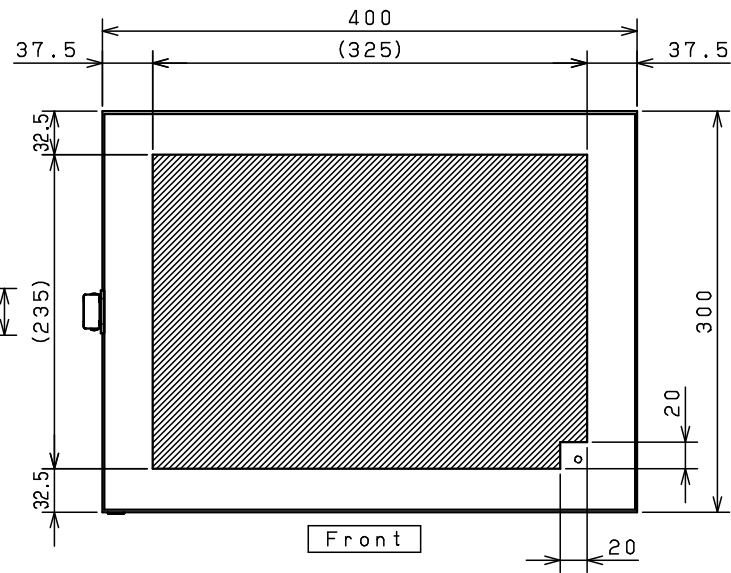
Model	Wall-mounting, indoor/outdoor-use, CAL12-43			Name/Type	CAL 12-43			
Body	Steel sheet, t1.2							
Door	Steel sheet, t1.2			Drawing number	-			1/2
Mounting plate	Steel sheet, t1.5							
Base	-			A3 scale	Scale	Design	Drawing	Check
Color	Outside	Light beige (5Y7/1) (Smooth)						
	Inside	Light beige (5Y7/1) (Smooth)		1:5	SUPAKIT	SUPAKIT	KONISHI	Date
IP	IP65							
Weight	5.8 kg							



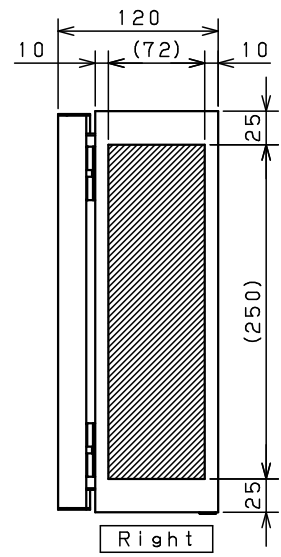
Top



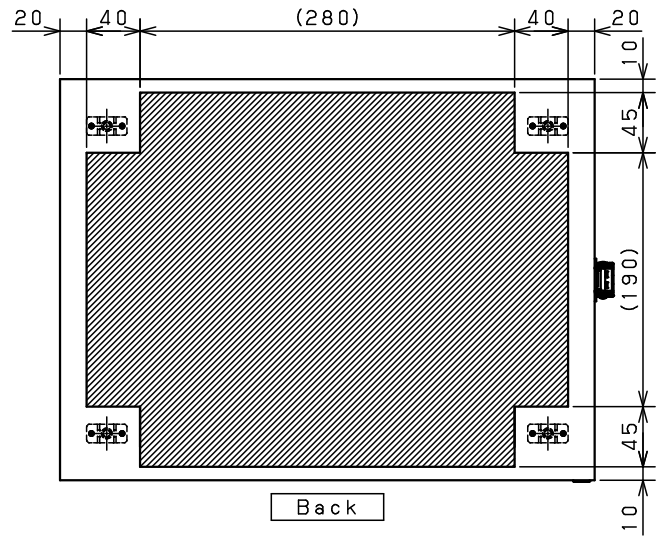
Left



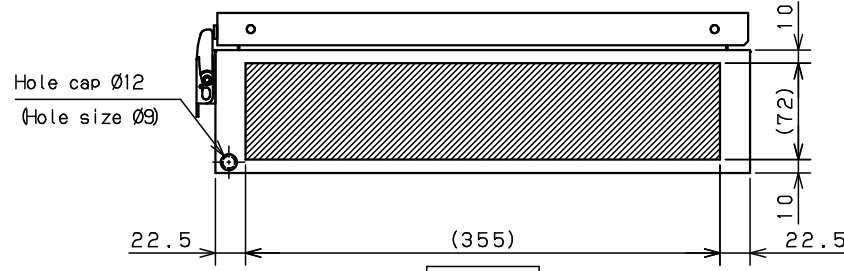
Front



Right



Back



Bottom



Note2. This drawing shows the processing range by laser.  
 Note1. Please refer to standard drawings for cabinet details.

Model	Wall-mounting, indoor/outdoor-use, CAL12-43			Name/Type	CAL12-43/LSR			
Body	Steel sheet, t1.2							
Door	Steel sheet, t1.2			Drawing number	-			
Mounting plate	Steel sheet, t1.5							
Base	-			A3 scale	Scale	Design	Drawing	Check
Color	Outside	Light beige (5Y7/1) (Smooth)	Inside		Light beige (5Y7/1) (Smooth)	1:4	SUPAKIT	HENGSKUO
IP	IP65			Date	9 / Oct / 2023 A			
Weight	5.8 kg							