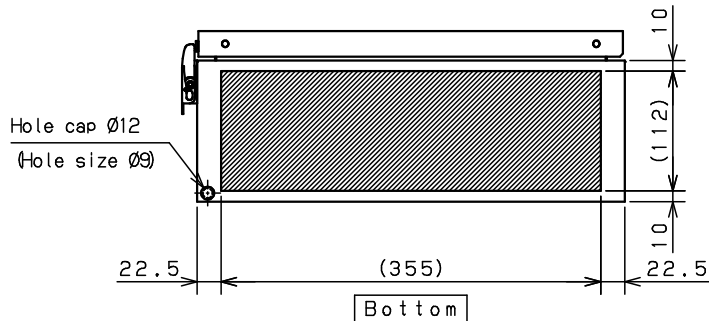
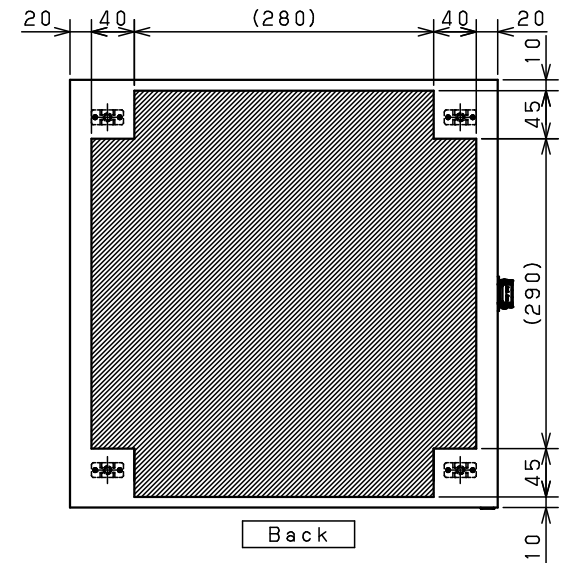
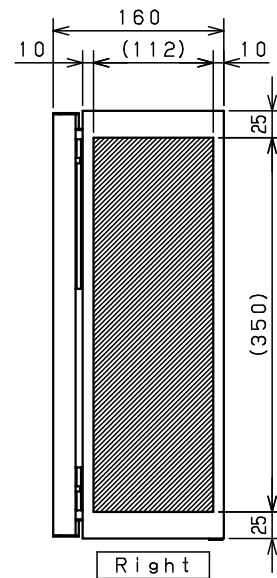
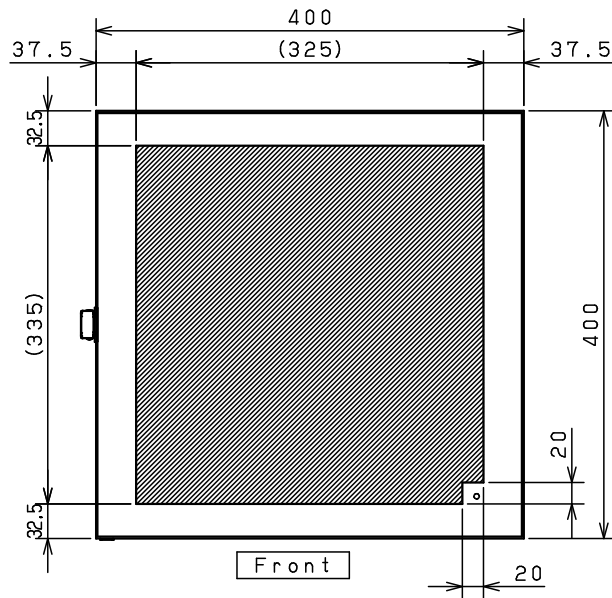
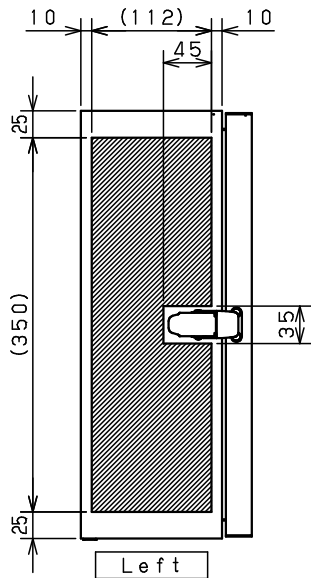
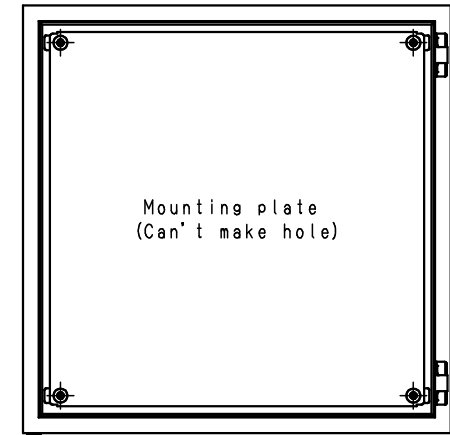
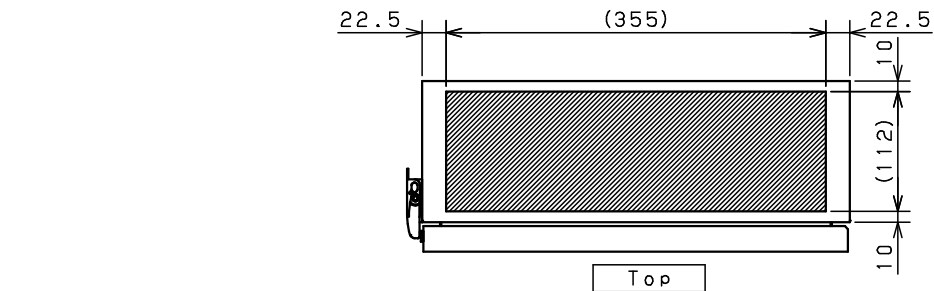


Model	Wall-mounting, indoor/outdoor-use, CAL16-44		Name/Type	CAL16-44			
Body	Steel sheet, t1.2		Drawing number	-			
Door	Steel sheet, t1.2			1/2			
Mounting plate	Steel sheet, t1.5		A3 scale	Scale	Design	Drawing	Check
Base	-			1:5	SUPAKIT	SUPAKIT	KONISHI
Color	Outside	Light beige (5Y7/1) (Smooth)	Date	21 / Sep. / 2021			
	Inside	Light beige (5Y7/1) (Smooth)					
IP	IP65						
Weight	8.0 kg						



Note2. This drawing shows the processing range by laser.
 Note1. Please refer to standard drawings for cabinet details.

Model	Wall-mounting, indoor/outdoor-use, CAL16-44	Name/ Type	CAL16-44/LSR			
Body	Steel sheet, t1.2	Drawing number	-			
Door	Steel sheet, t1.2					
Mounting plate	Steel sheet, t1.5	A3 scale	Scale	Design	Drawing	Check
Base	-		1:5	SUPAKIT	HENGSUKO	TSUGE
Color	Outside Light beige (5Y7/1) (Smooth) Inside Light beige (5Y7/1) (Smooth)	Date	9 / Oct / 2023 A			
IP	IP65					
Weight	8.0 kg					