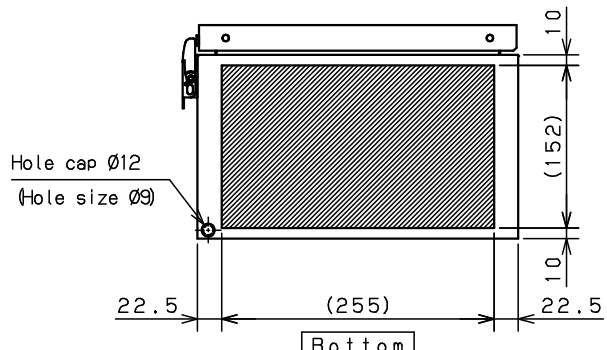
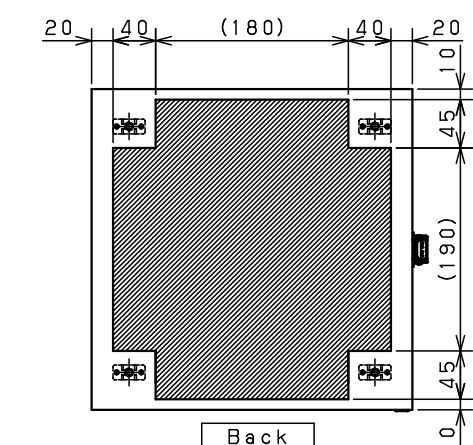
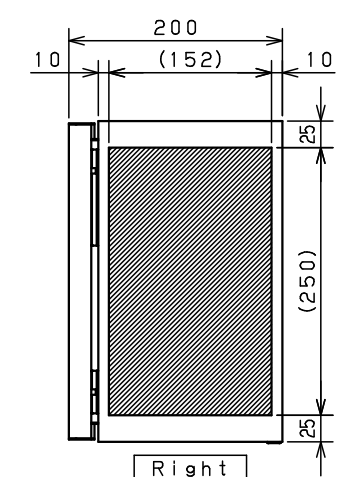
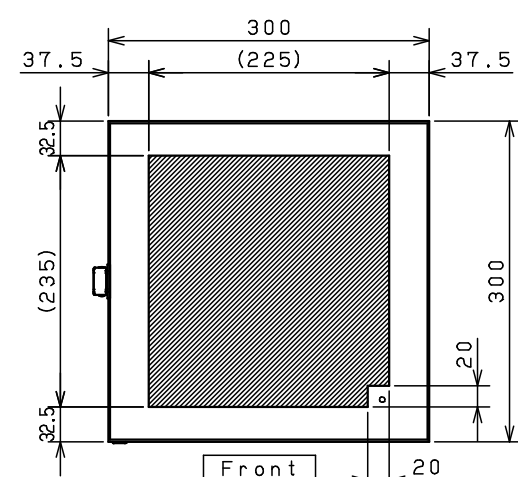
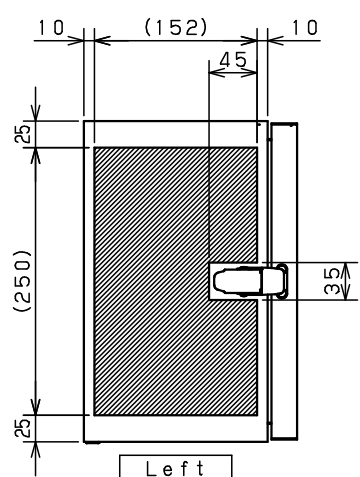
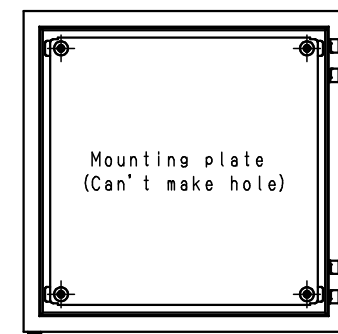
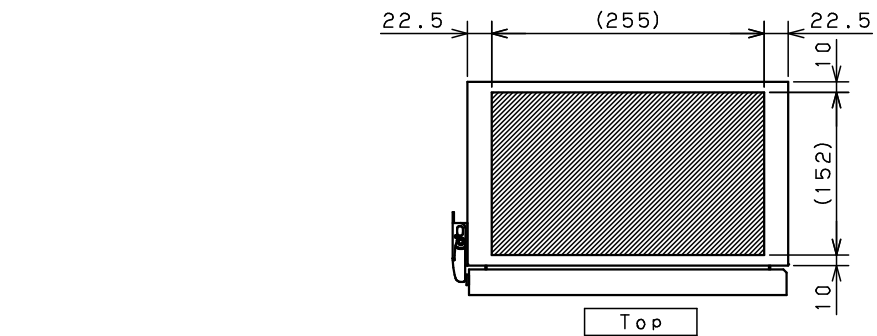


Model	Wall-mounting, indoor/outdoor-use, CAL20-33		Name/Type	CAL20-33			
Body	Steel sheet, t1.2		Drawing number	-			
Door	Steel sheet, t1.2			1/2			
Mounting plate	Steel sheet, t1.5		A3 scale	Scale	Design	Drawing	Check
Base	-			1:4	SUPAKIT	SUPAKIT	KONISHI
Color	Outside	Light beige (5Y7/1) (Smooth)	Weight	Date			
	Inside	Light beige (5Y7/1) (Smooth)		21 / Sep. / 2021			
IP	IP65						
Weight	5.7 kg						



Note2. This drawing shows the processing range by laser.  
 Note1. Please refer to standard drawings for cabinet details.

Model	Wall-mounting, indoor/outdoor-use, CAL20-33	Name/Type	CAL20-33/LSR			
Body	Steel sheet, t1.2	Drawing number	-			
Door	Steel sheet, t1.2					
Mounting plate	Steel sheet, t1.5					
Base	-	A3 scale	Scale	Design	Drawing	Check
Color	Outside Light beige (5Y7/1) (Smooth) Inside Light beige (5Y7/1) (Smooth)		1:5	SUPAKIT	HENGSKUO	TSUGE
IP	IP65	Date	9 / Oct / 2023 A			
Weight	5.7 kg					