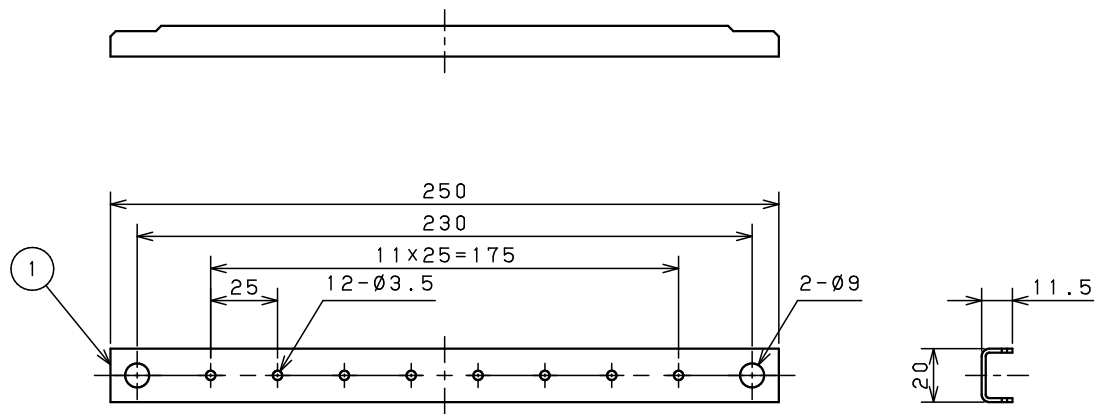


No.	Parts name	Material	Thickness
1	Mounting rail CXN-3	Steel	t1.5



Quantity: 2set
 Applicable model: H=300 (D≥160) for CA and CAL type enclosure

Model	CA/CAL type enclosure option CXN-3		Name/Type	Mounting rail CXN-3			
Body				Drawing number	-		
Door			A3 scale		Scale	Design	Drawing
Mounting plate	Outside	Light beige (5Y7/1) (Smooth)		1:2	SUPAKIT	SUPAKIT	KONISHI
Base	Inside		Date	21 / Sep. / 2021			
IP			Weight	0.22 kg/2set			